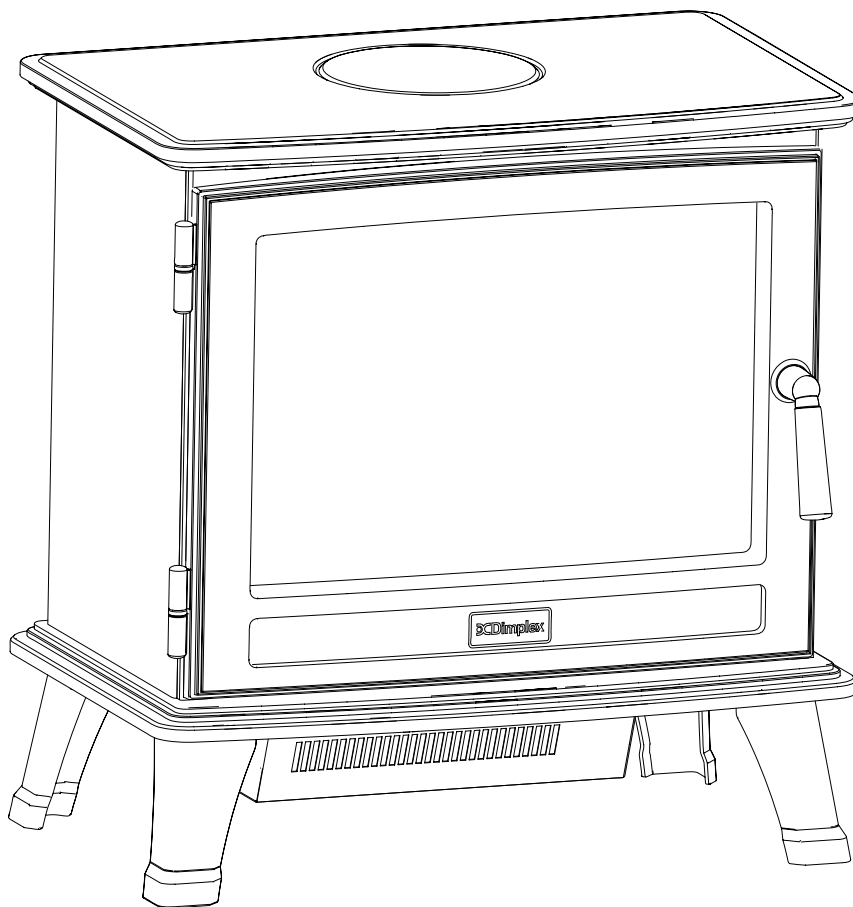


Dimplex



Sunningdale - SNG20

08/53152/0 Issue 1



The product complies with the European Safety Standards EN60335-2-30 & EN60065 and the European Standard Electromagnetic Compatibility (EMC) EN55014-1, EN55014-2, EN61000-3-2, EN61000-3-3, EN60555-2 and EN60555-3. These cover the essential requirements of EEC Directives 2006/95/EC and 2004/108/EC

Dimplex SNG20

Introduction

Please read this information guide carefully to be able to safely install, use and maintain your product.

Important Safety Advice

When using electrical appliances, basic precautions should always be followed to reduce the risk of fire, electrical shock and injury to persons, including the following:

If the appliance is damaged, check with the supplier before installation and operation.

Do not use outdoors.

Do not use in the immediate surroundings of a bath, shower or swimming pool.

Do not locate the appliance immediately below a fixed socket outlet or connection box.

This appliance can be used by children aged from 8 years and above and persons with reduced physical, sensory or mental capabilities or lack of experience and knowledge if they have been given supervision or instruction concerning use of the appliance in a safe way and understand the hazards involved. Children shall not play with the appliance. Cleaning and user maintenance shall not be made by children without supervision.

Children of less than 3 years should be kept away unless continuously supervised.

Children aged from 3 years and less than 8 years shall only switch on/off the appliance provided that it has been placed or installed in its intended normal operating position and they have been given supervision or instruction concerning use of the appliance in a safe way and understand the hazards involved. Children aged from 3 years and less than 8 years shall not plug in, regulate and clean the appliance or perform user maintenance.

CAUTION: Some parts of this product can become very hot and cause burns. Particular attention has to be given where children and vulnerable people are present.

Do not use this appliance in series with a thermal control, a program controller, a timer or any other device that switches on the heat automatically, since a fire risk exists when the heater is accidentally covered or displaced.

Ensure that furniture, curtains or other combustible materials are positioned no closer than 1 meter from the appliance.

In the event of a fault unplug the appliance.

Unplug the appliance when not required for long periods.

Although this appliance complies with safety standards, we do not recommend its use on deep pile carpets or on long hair type of rugs.

The appliance must be positioned so that the plug is accessible.

If the supply cord is damaged it must be replaced by the manufacturer or service agent or a similarly qualified person in order to avoid a hazard.

Keep the supply cord away from the front of the appliance.

WARNING: In order to avoid overheating, do not cover the appliance. Do not place material or garments on the appliance, or obstruct the air circulation around the appliance.

The appliance carries a 'DO NOT COVER' warning label.

In order to avoid a hazard due to inadvertent resetting of the thermal cut-out, this appliance must

not be supplied through an external switching device, such as a timer, or connected to a circuit that is regularly switched on and off by the utility.

This appliance is not equipped with a device to control the room temperature. Do not use this appliance in small rooms when they are occupied by persons not capable of leaving the room on their own, unless constant supervision is provided.

Warning - No naked flame sources, such as candles, should be placed on this apparatus.

Warning - The appliance shall not be exposed to dripping or splashing and that no objects filled with liquid, such as vases, shall be placed on the apparatus.

Warning - this appliance is of Class I construction and must be connected to a mains outlet with protective earthing connection.

General Information

Unpack the heater carefully and retain the packaging for possible future use, in the event of moving or returning the fire to your supplier.

The fire incorporates a flame effect, which can be used with or without heating, so that the comforting effect may be enjoyed at any time of the year. Using the flame effect on its own only requires little electricity.

Before connecting the heater check that the supply voltage is the same as that stated on the heater.

Please note: Used in an environment where background noise is very low, it may be possible to hear a sound which is related to the operation of the flame effect, this noise will increase slightly when the heat function is selected. This is normal and should not be a cause for concern.

Before You Start

Ensure that all packing items are removed (read any warning labels carefully) and retain all packing for possible future use.

Before connecting the appliance, check that the supply voltage is the same as that stated on the appliance.

Contents of Carton

Opti-V Stove Model SNG20

Remote control

Power Cable

Instruction Manual

Product Features

Volume Control

Brightness control

Half/Full Heat with electronic thermostat

Remote/Manual operation

Red light indication of standby mode

Electrical Connection

WARNING – THIS APPLIANCE MUST BE EARTHED

This heater must be used on an AC ~ supply only and the voltage marked on the heater must correspond to the supply voltage.

Place the stove against a wall and connect the power cable to the power connector at the back of the fire. Connect the plug to mains supply.

Before switching on, please read the safety warnings and operating instructions

Installation

Before installing this appliance in an existing chimney, we recommend that;

You have your chimney cleaned by a competent chimney sweep.

You block off the chimney flue.

This procedure is important for the efficient operation of the heating unit and will also reduce heat loss up the chimney.

Positioning the Stove :

The Opti-V Stove uses an illusionary reflection technique and is designed to work best when ambient light levels are low. There is an LED above the Logs which is controlled by a dimmer, that allows the brightness of the logs to be adjusted,

to create the perfect flame effect to suit your environment or in areas where the ambient light levels are normal.

A minimum gap of 60mm, at the back of the product (see * Fig.1), should be maintained in order for the electronic thermostat to have optimum effect.

Operating the Stove

This section describes how to activate your Stove using either the remote control or manual controls.

The mains switch (**Fig. 3a**) controls the electricity supply to the Stove.

Note: The mains switch must be in the on (I) position for the Stove to operate either with or without heat.

The switch is located on the front panel behind the door. Open the door to access the switch - see **Fig. 3**.

When activated the logbed will light up and after approximately 7 seconds the flame picture will appear.

The user may notice a blank screen for approximately 2-3 seconds, every 30 minutes. This is normal and should not be a cause for concern.

Remote Control :

To activate the remote control, remove the battery clear, plastic strip, which is used to ensure the remote is fully charged before use - see **Fig. 2**.

To operate, aim the remote control to the front of the appliance. Press the standby button (⏻) on the remote control to leave the Stove in standby mode - indicated by a red light. Press the standby button to activate flame effect. and /or heat.

The audio volume (spark sound) may be adjusted by pressing the volume control buttons : 🔊 volume down and 🔊 volume up.

Logbed Ambience :

The Stove has an LED that brightens the logbed. For your preference, the brightness can be adjusted by pressing 🔆 button to brighten and the 📶 button to dim/turn off the LED. An audio 'beep' can be heard with each press and will stop when maximum or minimum is reached. Please note, when the top LED is set to minimum(turned off), the effect of the rear inner panel disappears.

Heating :

To activate the heating press the heat on button (🔥) once for half heat (900W) - indicated by 2 audio 'beeps'. For full heat (1800W) press again - indicated by 3 audio 'beeps'. Each press of this button activates half heat or full heat - 2 audio 'beeps' for half heat and 3 audio 'beeps' for full heat.

To turn the heat off press the heat off button (🔥) - indicated by one audio 'beep'. (The fan continues to run for approximately 10 seconds)

Electronic Thermostat :

The heating is controlled by the electronic thermostat. The default setting is '22' - see **Fig. 3b**. When the heat is activated, the heating will turn off, when the thermostat senses the temperature is at '22'. The heating will be activated again, when the thermostat senses that the temperature is less than '22'. This figure can be changed by pressing the temperature down button (⏴) to reduce the room temperature (min 15) or the temperature up button (⏵) to increase the room temperature (max 30).

Note : the heating will only operate when the mains switch (**Fig. 3a**) is in the on (I) position and the room temperature is lower than the electronic set temperature.

For battery replacment refer to the embossed diagram on the back of the remote control.

NOTE - Use Lithium batteries only - CR2025

Attention should be drawn to the environmental aspects of battery disposal.

Manual Control :

The manual controls are located on the lower front panel behind the door of the stove - see **Fig. 2**.

The button functions are as remote control, described below;

⏻ Standby

🔊 Volume down

🔊 Volume up

🔥 Heat off

🔥 Heat on (half/full)

📶 Logbed ambience dim

🔆 Logbed ambience brighten

⏴ Temperature down

⏵ Temperature up

Cleaning

Warning – Always press Switch 'A' to the 'OFF' (0) position - see Fig.? and disconnect from the power supply before cleaning the fire.

For general cleaning use a soft clean duster – never use abrasive cleaners.

Additional Information

AFTER SALES SERVICE

Your product is guaranteed for one year from the date of purchase. Within this period, we undertake to repair or exchange this product free of charge, provided it has been installed and operated in accordance with these instructions. Your rights under this guarantee are additional to your statutory rights, which in turn are not affected by this guarantee.

Should you require after sales information or assistance with this product please go to www.dimplex.co.uk and select "Customer Support" or ring our help desk on 0844 879 3588 (UK) or 01 842 4833 (R. O. I.). Spare parts are also available on the web site. Please retain your receipt as proof of purchase.

RECYCLING



For electrical products sold within the European Community - At the end of the electrical products useful life it not be disposed of with household waste. Please recycle where facilities exist. Check with your Local Authority or retailer for recycling advice in your country.

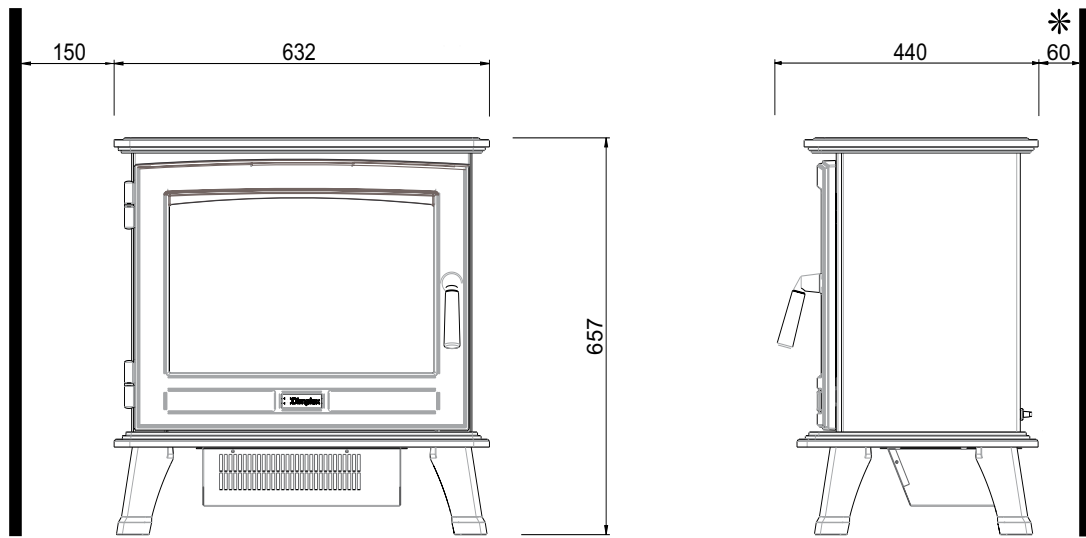


Fig. 1

Fig. 2

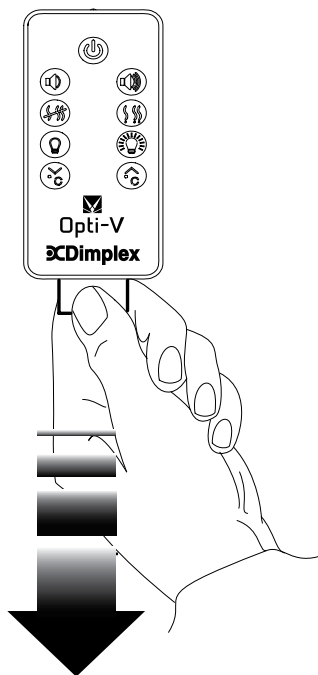


Fig. 3

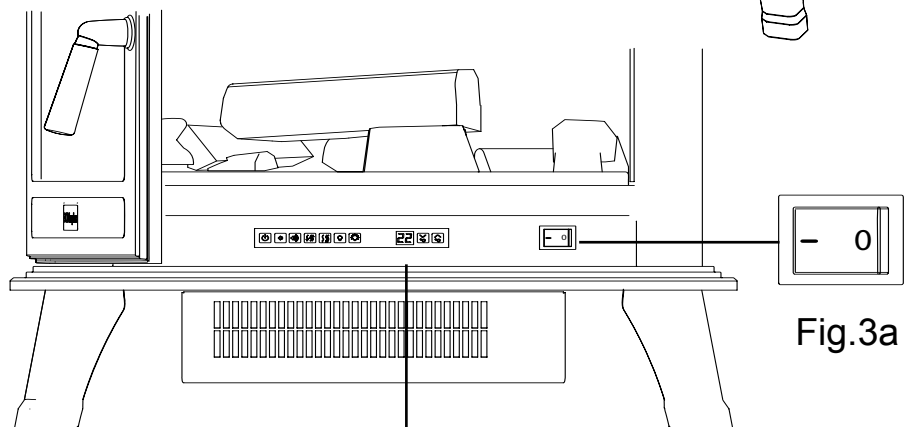
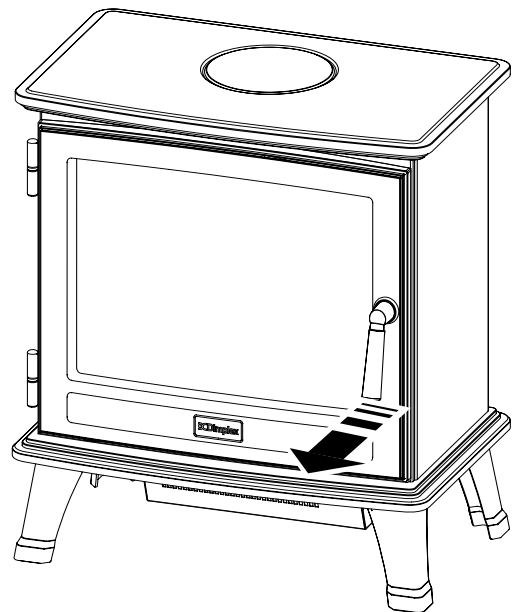


Fig. 3a

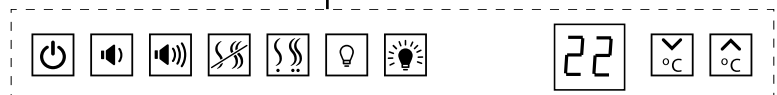


Fig. 3b

GDC Group Ltd.
MILLBROOK HOUSE
GRANGE DRIVE
HEDGE END
SOUTHAMPTON
SO30 2DF

TEL: 0844 879 3588
FAX: 0844 879 3583
WEBSITE: www.dimplex.co.uk
Republic of Ireland Tel. 01 8424833

© GDC Group Ltd,
All rights reserved. Material contained in this publication may not be reproduced in whole or in part, without prior permission in writing of Dimplex.
A division of GDC Group Ltd.