

RSHT

UK

DE

FR

NL

UK Read and save these instructions!

DE Lesen Sie diese Anleitung und bewahren Sie diese auf!

FR Lire et conserver ces instructions!

NL Lees en bewaar deze instructies!

exodraft

Contents

1. Product information UK	3
1.1 Function	3
1.2 Warranty	3
1.3 Specifications, dimensions and capacities	4
1.4 Mechanical installation	5
1.5 Electrical installation	9
1.6 Start-up and configuration	10
1.7 Maintenance and troubleshooting	11
2. Produktinformation DE	15
2.1 Einsatz	15
2.2 Garantie	15
2.3 Technische Daten	16
2.4 Einbau	17
2.5 Elektroinstallation	21
2.6 Inbetriebnahme und Konfiguration	22
2.7 Wartung und Fehlersuche	23
2.8 Montage mit Gummischwinnungsdämpfer und Abdeckplatte, mit und ohne Montageflansch	27
3. Comment utiliser ce manuel FR	28
3.1 Informations produit	28
3.2 Garantie	28
3.3 Caractéristiques	29
3.4 Installation mécanique	30
3.5 Installation électrique	34
3.6 Démarrage et configuration	35
3.7 Maintenance et recherche des pannes	36
4. Productinformatie NL	40
4.1 Functie	39
4.2 Garantie	39
4.3 Technische specificaties	41
4.4 Mechanische installatie	42
4.5 Elektrische installatie	46
4.6 Opstarten en configureren	47
4.7 Onderhoud en troubleshooting	48
5. Declaration of Conformity	52

1. Product information UK

How to use this manual

This installation manual does not contain any system design documentation.

Accessories are not covered by this manual. Please refer to these component's individual manuals.

1.1 Function

Use **exodraft** model RSHT chimney fan is a chimney top mounted ventilator that is designed to provide large flue gas volume capacities and to work with high temperatures. It is intended for use with solid fuel but can also be used for non-solid fuel. The use of the RSHT chimney fan is not restricted to any type of chimney, because the fan creates a negative pressure (below atmospheric) in the chimney. Typical uses in the residential areas are: Controlling the draft for a solid fuel fired boiler, fireplace, stove, BBQ, or pizza oven. In the industrial areas typical uses are in the bakery or process industry. The **exodraft** chimney fan type RSHT is supplied with location brackets, armoured cable, repair switch box, safety wire and mineral wool mat for vibration-free mounting.

Function The RSHT chimney fan is designed to be able to withstand the high temperatures associated with wood burning and heating from industrial boilers and appliances such as ovens. The axial vane construction provides a self-cleaning effect. This product is developed to prevent draft problems by creating a mechanical draft in flue systems and thereby also increasing the capacity and efficiency of a chimney system. Though the chimney fan is not limited to such use, it is perfect for use with fireplaces, barbecues, pizza ovens and wood stoves. Bad stoking habits and poor maintenance can result in problems with soot, chimney fires, etc. which might damage the chimney fan.

The run capacitor is considered a wear part and will need to be replaced depending on usage.

Warning All installations must be carried out by competent personnel in accordance with national laws and regulations

Avoid chimney fires – ensure that the chimney has been swept before mounting the fan. The chimney fan must always be operating when the chimney temperature is above 250 °C. Please always read the installation instructions for the **exodraft** control unit, before installation of the chimney fan.

If the **exodraft** fan system has been designed for solid fuel/multi fuel installations then please ensure the design meets the requirements of EN15287-1. If this can not be achieved, then a smoke alarm must be installed in the same room as the appliance.

exodraft would always recommend the use of a smoke alarm when a solid fuel open fire is installed.



Fans serving biomass boilers will inevitably receive a deposit from the appliance. Especially on biomass boilers it is essential that a regular inspection and cleaning regime is implemented, especially in the early days of usage, to establish a pattern for timing of regular inspections and cleaning.

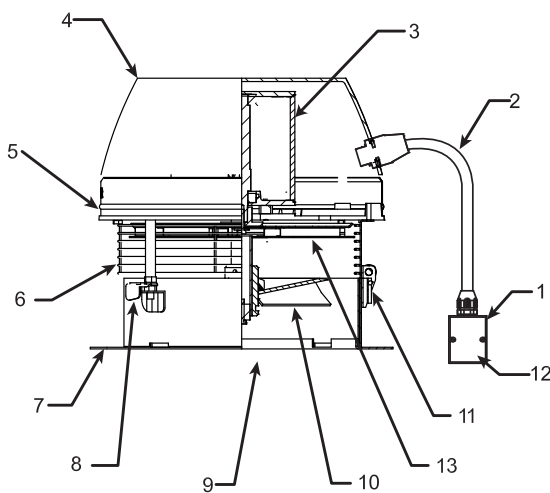
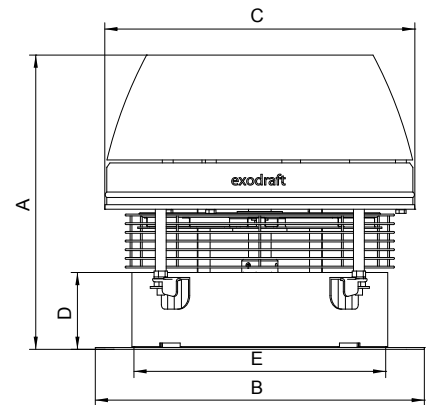
1.2 Warranty

exodraft products are warranted for a period of six (6) years following the date of invoice. Replacement or repair of the fan will be at **exodraft's** discretion, provided factory inspection shows a defect in material or workmanship.

1.3 Specifications, dimensions and capacities

1.3.1 Dimensions and capacities

Model		RSHT009	RSHT012	RSHT014	RSHT016	
Discharge		Horizontal				
Fan Type		Axial Vane				
Motor Type		Totally enclosed, Variable speed, Class F				
Voltage		1x230 V AC				
RPM		1360	1350	1350	1350	
Amperage		Amps	0.26	0.55	1.00	1.90
Fan consumption		kW	0.06	0.09	0.19	0.31
Weight		kg	11.6	15.2	19.0	21.4
Dimensions	A	mm	298	325	372	400
	B x B	mm	296	364	422	478
	C	mm	275	344	395	441
	D	mm	75	85	100	100
	E	mm	220	280	330	380
Temperature Rating	Intermediate	720 °C (fan running)				
	Constant.	500 °C (fan running)				
	If fan is turned off	Max. 250 °C (fan inactive)				



- 1 Capacitor and repair switch box
- 2 Conduit/cord
- 3 Motor
- 4 Motor housing
- 5 Motor plate
- 6 Bird screen
- 7 Base plate
- 8 Locking handle
- 9 Inlet
- 10 Axial vane
- 11 Hinge
- 12 Capacitor (inside box)
- 13 Cooling wheel

1.3.2 Planning ahead



1. Observe proper combustion air conditions.
2. Provide a firm support system for the chimney fan.
3. Determine the type of system involved.
4. Observe proper safety measures are taken to assure safe use of the wood burning appliances.

Combustion air requirements

Provisions for combustion air must be in accordance with applicable local codes.

Adequate fresh air must be provided for combustion, otherwise improper operation and inadequate venting of deadly flue gases may occur.

Support system Prior to installation of the chimney fan, it must be assured the chimney can safely carry the weight of the chimney fan.
A steel chimney should be well supported at the roof penetration point. If the chimney extends high above the roof, the chimney and the fan should be secured by wires attached on the chimney and on the roof at 2 to 3 different points. (Follow manufactures instruction.)
Brick chimneys usually do not need any kind of support to carry the weight of the chimney fan.

System type Fireplaces and wood stoves used in residences normally operate in a relatively stable environment, where no major pressure fluctuations occur. However, speed adjustments and adjustment of air-intakes are required as the wood burns and new wood is added to the fire.

Fireplaces used in restaurants are exposed to major pressure changes. Doors open, doors close, kitchen exhaust fans pull out air, etc. Spillage can easily occur.

Wood-fired pizza ovens and barbecues are normally installed in restaurant kitchens where kitchen exhaust fans are operating. Consequently, the operator should pay attention to the fact that even with a well balanced exhaust system, it will be necessary to adjust the fan speed in order to avoid spillage.

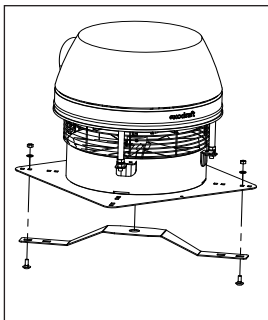
When used with boilers and other heating appliances the RSHT chimney fan is often supplied with a constant pressure regulator, which ensure the optimal draft from the appliance.

1.4 Mechanical installation

1.4.1 Transport safety device

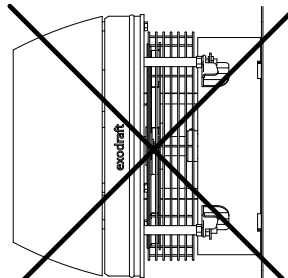
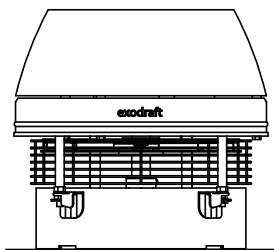


Remove the transport safety device from the vane and make sure that the vane can rotate without hindrance.



1.4.2 Positioning

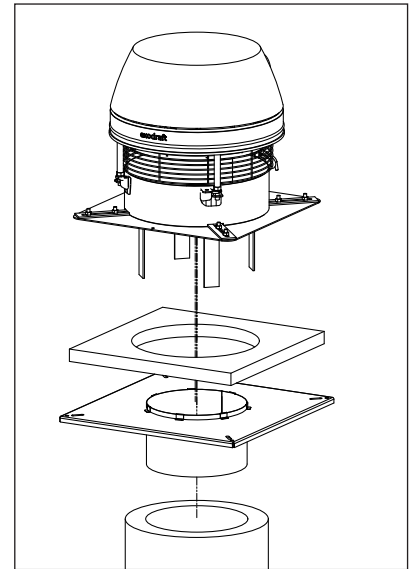
Always mount the fan in vertical position. **DO NOT MOUNT HORIZONTALLY**



1.4.3 Single fan on steel chimney

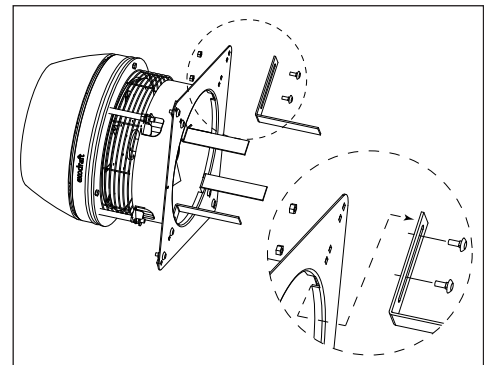
Step 1: Prepare fan location

- If a chimney terminal is installed, it must be removed. The flange plate slides into the chimney, where the long collar ensures safe anchoring of the fan.
The vibration dampers delivered with the chimney adapter should not be used to an RSHT chimney fan.
- Measure the inside diameter of the flue and cut a corresponding hole in the middle of the mineral wool mat. If the chimney is so big that the throat in the adapter has been reduced to fit the throat of the fan, the hole in the mineral wool mat should correspond to the throat.



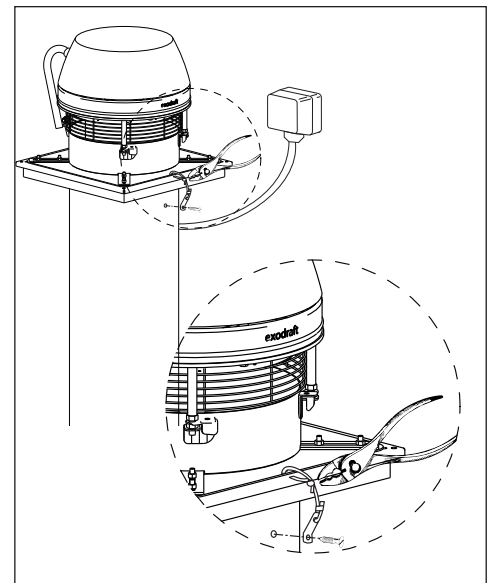
Step 2: Preparation of exodraft fan

- Locate the installation brackets in the slots going through the fan base part, using the bolts and nuts supplied to secure the brackets. If the flue diameter is larger than the chimney fan inlet, the bracket can be installed underneath the base part. Note that the bolts must be installed from the bottom side.
- Adjust the final position of the installation brackets ensuring that there is a small gap between the brackets and the flue wall/adapter throat. Approximately 5-10 mm.
- Tighten the nuts. Ensure the brackets do not touch the flue wall, otherwise direct contact may generate vibration noise.



Step 3: Attaching the fan

- The chimney fan is now ready for installation on the top of the chimney.
- Place the mineral wool mat on the top of the counter flange, and place the fan on top of the mat.
- Mount the safety wire in the chimney. Use the supplied self-tapping screw in the steel chimney. Then mount the wire through the hole in the base plate and into the wire lock.
- Tighten the safety wire slightly and tighten the wire lock, so that the chimney fan is secured when opened for service and cleaning purposes.

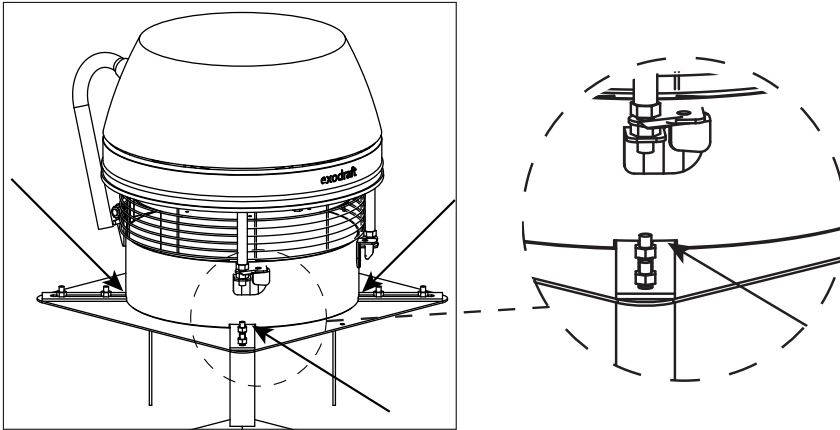


NOTICE

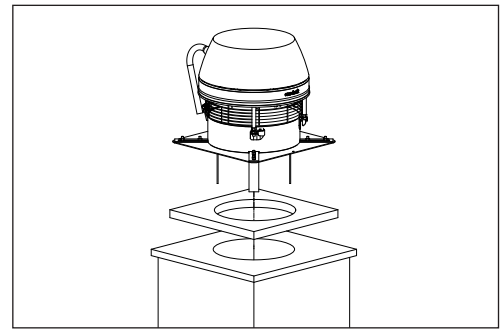
The supplied steel wire should always be secured to the chimney. The armoured cable must hang straight down from the fan. When closing the fan, support the upper part by hand.

Step 4: Sealing the slots

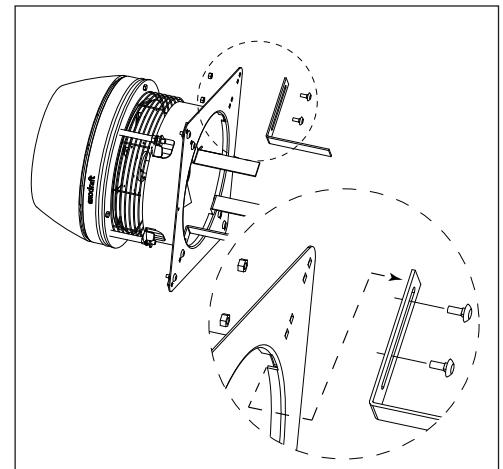
- To avoid rainwater from entering the chimney the 4 slots must be sealed with silicone.

**1.4.4 Single fan on brick chimney****Step 1: Prepare fan location**

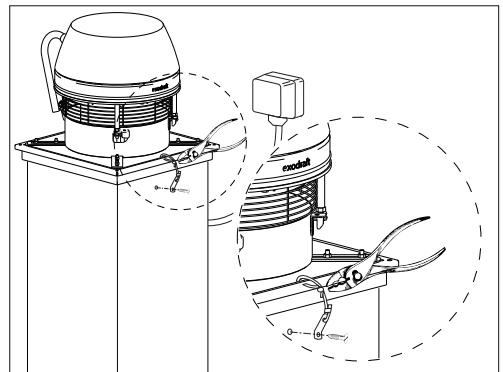
- The installation procedure is the same whether the flue is round or square. If a clay tile flue liner is installed, it might stick up a few inches. Cut it back so it is flush with or no more than 10 mm above the chimney crown.
- Measure the inside diameter of the flue, cut a corresponding hole in the mineral wool mat leaving a minimum distance of 20 mm to any side of the mineral wool mat.

**Step 2: Preparation of fan**

- Locate the installation brackets in the slots going through the fan base part, using the bolts and nuts supplied to secure the brackets. If the flue diameter is larger than the chimney fan inlet, the bracket can be installed underneath the base part. Note that the bolts must be installed from the bottom side.
- Adjust the final position of the brackets ensuring that there is clearance between the brackets and the flue wall. Approximately 5-10 mm. Ensure the brackets do not touch the flue wall, otherwise direct contact may generate vibration noise.

**Step 3: Attaching the fan**

- The chimney fan is now ready for installation on the top of the chimney. Place mineral wool mat on the top of the chimney, and place the fan on top of the mat.
- Mount the safety wire in the chimney. Use the supplied screw and rawlplug for securing it to the chimney. Then mount the wire through the hole in the base plate and into the wire lock.
- Tighten the safety wire slightly and tighten the wire lock, so that the chimney fan is secured when opened for service and cleaning purposes.





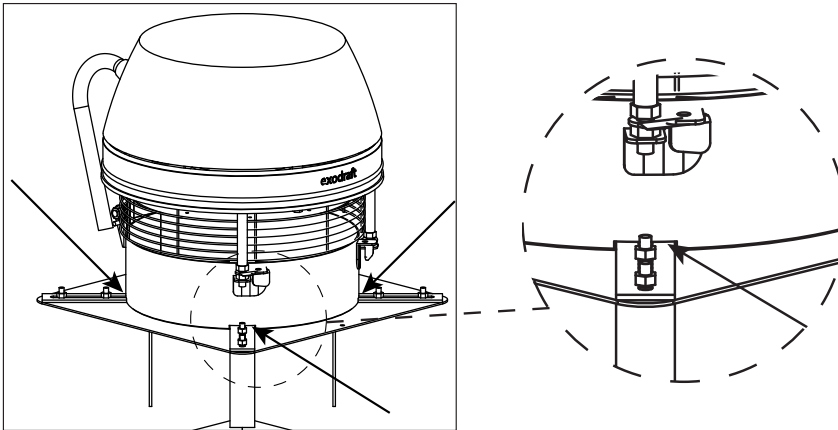
NOTICE

The supplied steel wire should always be secured to the chimney.

The armoured cable must hang straight down from the fan. When closing the fan, support the upper part by hand.

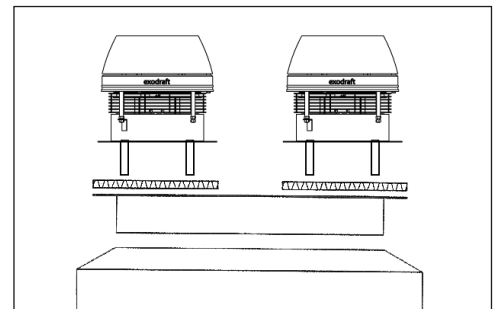
Step 4: Sealing the slots

- To avoid rainwater from entering the chimney the 4 slots must be sealed with silicone.



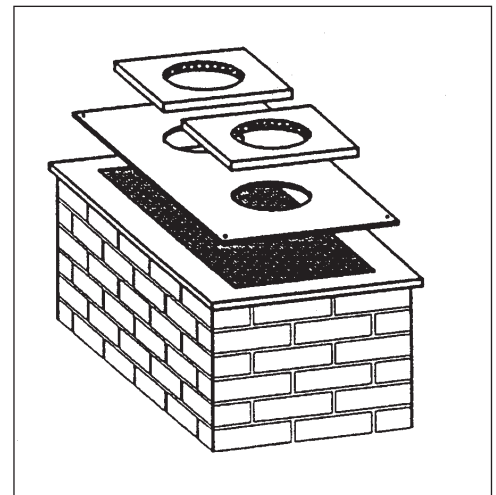
1.4.5 Multiple fans on steel chimney

- If two or more chimney fans are required to create sufficient draft, installation procedures are the same as for single fan installation on a steel chimney. The only difference is that the fans are sitting next to each other on the top of the chimney. A special plenum box is required. (Not an **exodraft** part).
- When installing multiple fans, it is extremely important that the fans are of the same model and size, and they must be controlled in tandem by one (1) motor speed control.



1.4.6 Multiple fans on a brick chimney – oversized flue

- If two or more fans are required to create sufficient draft, a special adapter plate is required. (Not an **exodraft** part). The two holes in the plate should match the throat diameter of the fan model used and the distance from center to center should be at least equal to the fan width (dimension "B" in 1.3.1 Dimensions and capacities).
- The adapter should be sealed with silicone and bolted onto the top. When installing multiple fans, it is extremely important that the fans are of the same model and size, and they must be controlled in tandem by one (1) motor speed control.
- A similar approach should be taken if the flue size exceeds the fan base dimensions. The adapter plate should be sized so it covers the flue and secured. A hole should be cut in the center of the plate and the fan mounted centered over the hole.



1.5 Electrical installation

1.5.1 General



DANGER

Turn off electrical power before servicing.
Contact with live electric components can cause shock or death.

All electrical wiring must be in accordance with requirements of authority having jurisdiction.

Power requirements for the system depends on the fan size. Electrical requirements are:

- RSHT009 1 x 230 V/50 Hz 0.26 Amps
- RSHT012 1 x 230 V/50 Hz 0.55 Amps
- RSHT014 1 x 230 V/50 Hz 1.00 Amps
- RSHT016 1 x 230 V/50 Hz 1.90 Amps

Fan and motor specifications are provided on the fan's type plate.

The **exodraft** chimney fans have a split capacitor motor with variable speed. the capacitor is situated in the external box, which also include the repair switch.

The minimum speed will have to be adjusted individually depends on type of control, fan size and chimney



NOTICE

If any of the original wiring supplied with the system needs to be replaced, use similar wire of the same temperature rating. Otherwise, the insulation may melt or degrade, exposing bare wire, and danger to life.

1.5.2 Wiring

Wires are to be connected as per the wiring diagram. For further details for connecting a control, please see guidelines for the **exodraft** control units.

Any lightning conductor connected to the fan must conform to current applicable legislation.

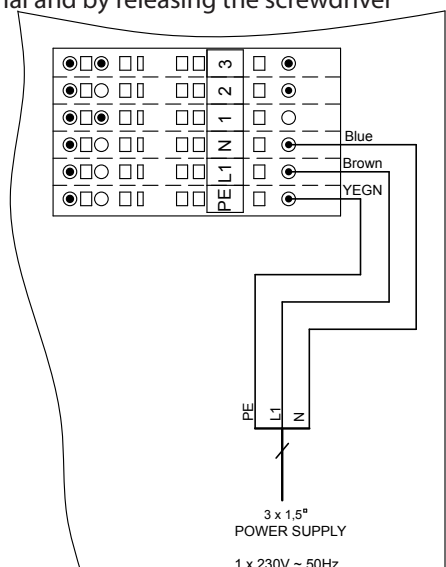
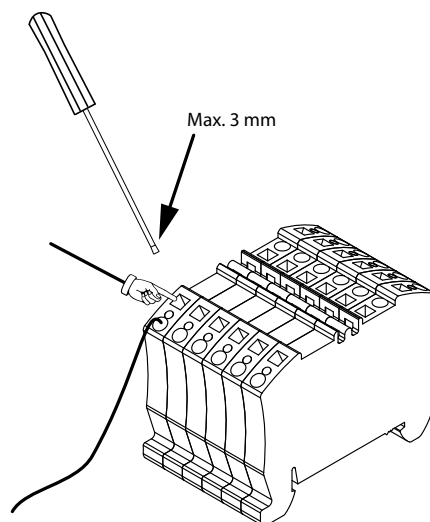
Wiring in the capacitor and repair switch box.

All wiring is done at delivery except for the power supply from the mains or **exodraft** control

For fastening the wires to the terminals use a slotted screwdriver, max. 3 mm wide. Push it hard, straight down into the marked slot to release the terminal. The wire can now be pushed into the terminal and by releasing the screwdriver again the wire is secured.

Connect:

L1 from supply to terminal L1
N from supply to terminal N
PE from supply to terminal PE



1.6 Start-up and configuration

1.6.1 System testing

Before any adjustments are made to the system, follow these procedures:

Turn the chimney fan ON and make sure that it is operating. Increase and decrease the speed of the fan by adjusting the fan speed control to make sure it is operating properly.

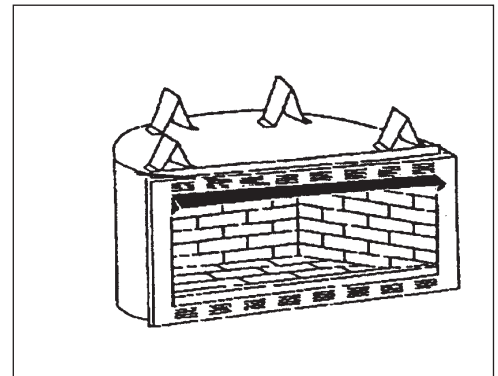


DANGER

Check heating appliances (water heater, furnace, etc.) for proper operation while the chimney fan is operating. Make sure no flue gases are spilling out as this can lead to carbon monoxide poisoning.

1.6.2 Testing fireplace or stove

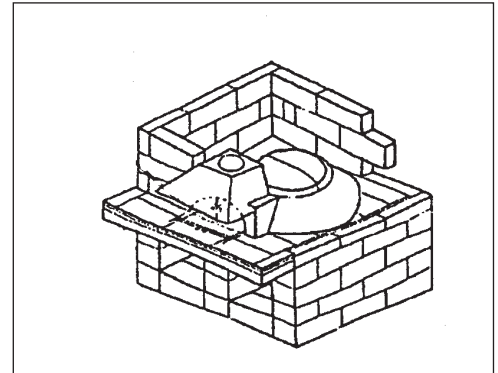
- Place a few logs on a grate or on the floor of the fireplace or stove.
- Before lighting the fire, set the fan at high/full speed (on stoves, open air intake completely).
- Light the fire and make sure there is no spillage from the fireplace opening.
- When the fire has caught on, reduce the speed of the chimney fan to a point where it still removes the flue gases safely. Remember this setting on the fan speed control, as this will be the operating position/ speed of the chimney fan.



1.6.3 Testing pizza oven

Most pizza ovens consist of a dome with a front opening that can be closed with a cast iron door. Above the opening a hood connected to the flue assures smoke and odours are collected and removed safely (see figure).

- Place a few logs in the back of the dome and set the fan at high/full speed. Light the fire. Turn on all other exhaust fans (range hoods, etc.) and make sure there is no spillage from the hood into the room.
- When the fire has caught on, reduce the speed of the chimney fan to a point where it still removes the flue gases safely. Mark this setting on the fan speed control cover, as this will be the operating position/ speed of the chimney fan.



1.6.4 Operating fireplace and stove

- Prior to starting a fire, set the fan at high/full speed and start the fire following the normal instructions for burning a fire in a fireplace or stove. After the fire catches on, after 3-5 minutes, reduce the speed of the chimney fan to a level where it safely removes the flue gases and a perfect flame can be maintained.
- When adding wood to the fire, it may be necessary to increase the fan speed for a short period of time. Following this procedure will help conserve energy and at the same time assure a maximum heating output from the heating appliance.

1.6.5 Operating pizza oven

- Prior to starting a fire, set the fan at high/full speed and start the fire following the oven manufacturer's instructions or, in the absence of such instructions, normal instructions for burning a fire in a fireplace or stove. After the fire catches on, after 3-5 minutes, reduce the speed of the chimney fan to a level where it safely removes the flue gases and a perfect flame can be maintained.
- When adding wood to the fire, it may be necessary to increase the fan speed for a short period of time.



CAUTION

Do not over-fire the fireplace, stove or pizza oven. Small deposits of creosote could be ignited and start a small chimney fire which could cause the chimney flue to reach a dangerously high temperature.

1.6.6 Operating boilers or high temperature appliances

- Prior to start up a boiler, oven or process appliance the fan must run at full speed. Depending on the control system the speed can be regulated to a lower setpoint. Always follow the manufacturer's instructions.

1.7 Maintenance and troubleshooting

1.7.1 Care and cleaning

The **exodraft** Chimney Fan is designed for prolonged use. The fan should be inspected at least once a year when the chimney is inspected. Soot and other deposits should be removed from the fan blades and the bottom of the motor housing.

The top of the fan is hinged and can be opened in order to ease the cleaning.



WARNING

Do not open the motor housing unless power to the chimney fan has been disconnected.

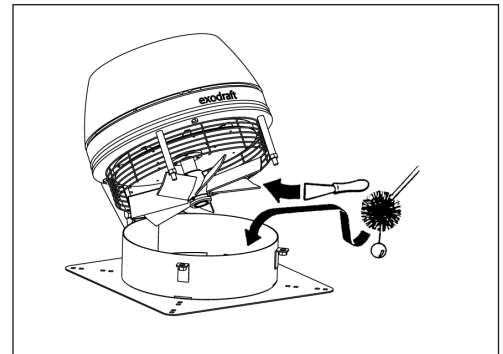
1.7.2 Chimney cleaning intervals

It is extremely important to keep the chimney flue clean from creosote and deposits. Soot is the major cause of chimney fires.

Cleaning intervals depend on the use of the appliance. The more the appliance is used, the more often the chimney flue needs cleaning.

If a fireplace is used regularly (2-3 times a week), semi-annual chimney cleaning may be required. If it is used every day, shorter intervals may be required. Commercial use of wood-fired pizza ovens may require chimney cleaning every 2-3 months.

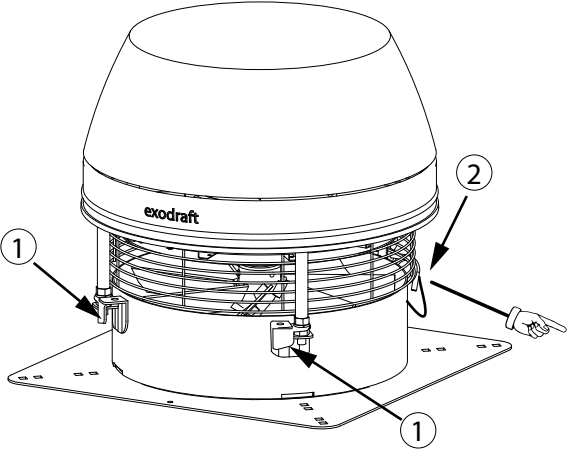
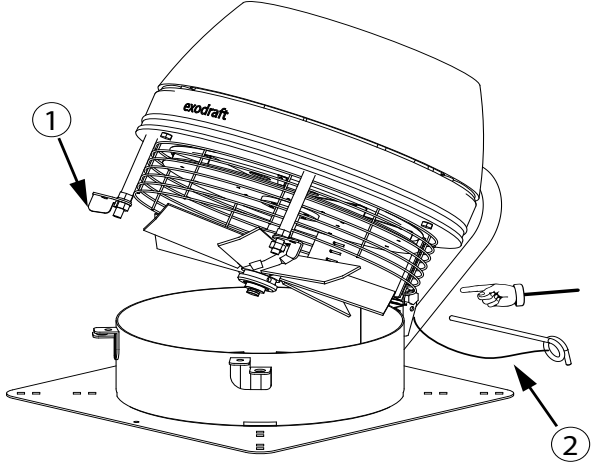
No matter how much used, a chimney flue serving wood-fired appliances should be cleaned and inspected at least once every year.



NOTE

The chimney should be cleaned by a trained professional.

1.7.3 Prior to maintenance

<p>In order to open the fan:</p> <ul style="list-style-type: none"> • Remove the lower nut at position 1 and turn the handles. • Remove the locking pin from the back of the fan. • The nut must be refitted when the fan is closed. Can be omitted if local laws allow this. 	<p>Too secure the fan in open position place the lock pin (2) in the bracket again.</p>
	

1.7.4 Troubleshooting

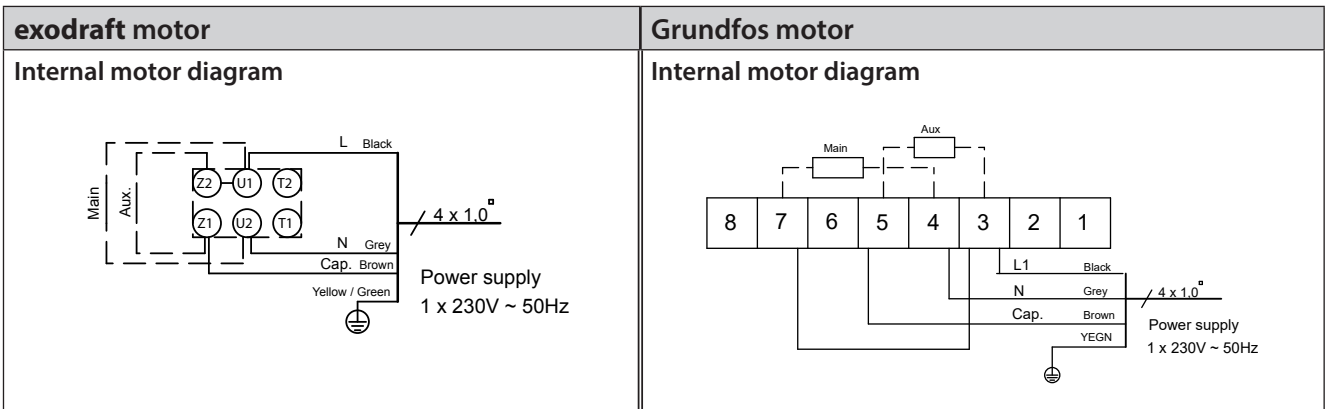
Observation	Problem	Solution
<p>There is no power going to the fan</p>	<ul style="list-style-type: none"> – The circuit breaker may be off – Fan speed control is off – Bad electrical connections 	<ul style="list-style-type: none"> – Check the circuit breaker – Turn fan speed control on – Check and correct problem
<p>There is power to the fan but it is not operating</p>	<ul style="list-style-type: none"> – Bad electrical connections – The fan speed control's low voltage setting is too low – The fan speed control is bad 	<ul style="list-style-type: none"> – Check and correct problems with connections. Pay special attention to the wiring in the junction box – Increase the setting – Replace the fan speed control
<p>There is power to the fan but it hums and does not turn</p>	<ul style="list-style-type: none"> – The motor run capacitor may be faulty. – Soot may stick 	<ul style="list-style-type: none"> – Check capacitor and replace if necessary – Clean fan
<p>The fan seems to work fine, but there is not enough draft</p>	<ul style="list-style-type: none"> – The fan may be undersized 	<ul style="list-style-type: none"> – Replace with a larger fan
<p>The fan vibrates</p>	<ul style="list-style-type: none"> – The motor shaft may be bent 	<ul style="list-style-type: none"> – Replace motor
<p>There is airflow noise from the fireplace opening</p>	<ul style="list-style-type: none"> – The flue is undersized. – The fan is oversized and running too fast 	<ul style="list-style-type: none"> – There is not much to do about it. Try to reduce the fireplace opening – Reduce the fan speed
<p>Mechanical noise can be heard</p>	<ul style="list-style-type: none"> – Soot or tar may impair the fans axial vane – Motor bearings may be worn out 	<ul style="list-style-type: none"> – Clean the axial vane – Replace bearings

1.7.5 Replacing wheel and motor

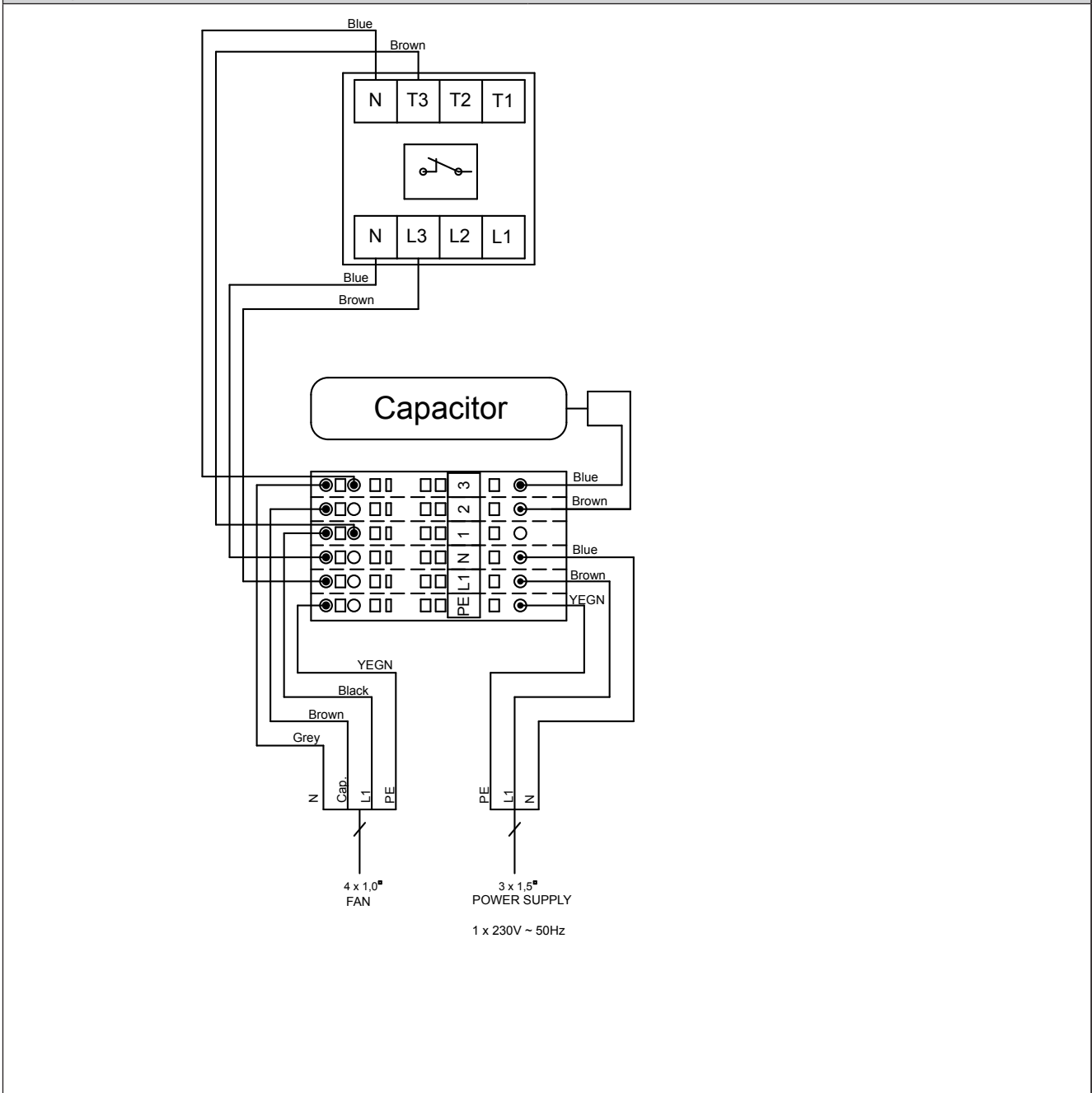
<p>Replace wheel</p> <p>A. Loosen the insert hex screw B. Pull the vane plug out C. Unscrew and remove the M6 bolt at the end of the vane pipe axle</p>	
<p>D. Use a M10 bolt min. length 140 mm. Thread length minimum 40 mm. Prevent the wheel from turning. As the bolt is screwed in the wheel is pulled of the motor axle.</p>	
<p>Replace Motor</p> <p>E. Loosen the cable gland F. Remove the three screws securing the top part G. Remove the four screws securing the motor</p>	

1.7.6 Internal wiring diagrams

All wiring is done at delivery except for the power supply from the mains or **exodraft** control



Wiring in the switch box



2. Produktinformation DE

Verwendung des vorliegenden Handbuchs. Dieses Installationshandbuch beinhaltet keine Konstruktionsunterlagen. Zubehör wird in diesem Handbuch nicht behandelt. Informationen hierzu sind in den jeweiligen Handbüchern zu diesen Komponenten enthalten.

2.1 Einsatz

Verwendung Der **exodraft** Rauchsauger Modell RSHT ist ein auf den Schornstein zu montierender Ventilator für große Abgasvolumen und hohe Ablufttemperaturen. Er kann für Festbrennstoffe, aber auch für nicht feste Brennstoffe eingesetzt werden. Der Einsatz des RSHT Rauchsaugers ist nicht auf eine bestimmte Art von Schornstein beschränkt, da er im Schornstein einen Unterdruck (unterhalb des Atmosphärendrucks) erzeugt. Typische Einsatzarten im Haushaltsbereich: Luftzugregelung bei festbrennstoffbetriebenen Heizkesseln, offenen Kaminen, Öfen, Grillstellen oder Pizzaöfen. Gewerblich wird der **exodraft** Rauchsauger Modell RSHT typischerweise in Bäckereien oder in der Prozessindustrie eingesetzt. Er verfügt über Montagewinkel, Panzerkabel, Wartungsschalter, Sicherungsdraht und eine Mineralwollmatte zur vibrationsfreien Montage.

Funktionsmerkmale Der RSHT Rauchsauger ist für den Einsatz bei höchsten Temperaturen wie etwa bei der Holzverbrennung und dem Beheizen von Industriekesseln sowie Öfen geeignet. Die Axialauftradrückkonstruktion sorgt für einen Selbstreinigungseffekt. Dieses Produkt wurde entwickelt, um Abzugsprobleme durch eine zusätzliche mechanische Entlüftung im Abzugssystem zu verhindern und gleichzeitig die Kapazität und Effizienz des Schornsteinsystems zu steigern. Optimal eignet sich der Rauchsauger für den Einsatz mit offenen Kaminen, Grillstellen, Pizzaöfen und Holzöfen. Falsche Feuerungsgewohnheiten können zu Problemen etwa durch Rußentwicklung und Schornsteinbrand führen, die auch den Rauchsauger beschädigen können.

Der Betriebskondensator gilt als Verschleißteil und muss je nach Nutzung ersetzt werden.

Achtung! Alle Installationsarbeiten müssen im Einklang mit den geltenden Gesetzen und Regelungen von Fachpersonal durchgeführt werden.
Verhindern Sie Schornsteinbrand – stellen Sie sicher, dass der Schornstein vor Installation des Rauchsaugers gereinigt wurde.
Lesen Sie vor Installation des Rauchsaugers unbedingt die Installationsanleitung für die **exodraft** Steuereinheit.
Wird das **exodraft** Ventilatorsystem für Anlagen mit Festbrennstoff-/Mehrbrennstofffeuerung eingesetzt, so ist sicherzustellen, dass die Anforderungen der EN 15287-1 eingehalten werden. Kann dies nicht erreicht werden, so ist ein Rauchmelder in dem Raum zu installieren, in dem sich die Anlage befindet.
exodraft empfiehlt, bei Festbrennstofffeuerung in einem offenen Kamin in jedem Fall einen Rauchmelder zu installieren.



Bei Rauchsaugern, die für Biomassekessel eingesetzt werden, ist eine Verunreinigung der Anlage durch Ablagerungen unvermeidlich. Insbesondere bei Biomassekesseln ist es daher unbedingt notwendig, eine regelmäßige Inspektion und Reinigung vor allem zu Beginn des Betriebs durchzuführen, um so einen dauerhaften Zeitplan für ein Inspektions- und Reinigungsprogramm aufstellen zu können.

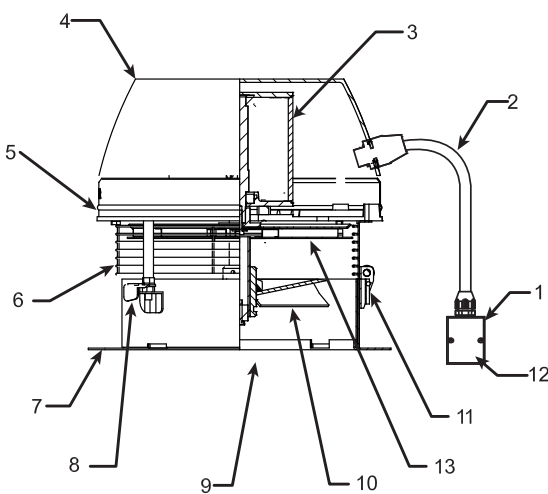
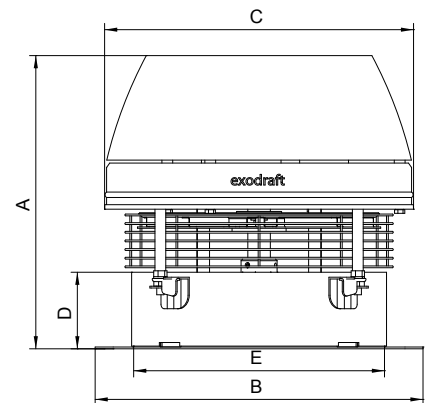
2.2 Garantie

exodraft gewährt auf seine Produkte 2 Jahre Garantie, gültig ab Rechnungsdatum. Im Fall eines Material- oder Fertigungsmangels, der bei einer Untersuchung im Werk festgestellt wird, liegt es im Ermessen von **exodraft**, ob ein Ersatz oder eine Reparatur vorgenommen wird.

2.3 Technische Daten

2.3.1 Abmessungen und Kapazität

Modell		RSHT009	RSHT012	RSHT014	RSHT016
Auswurf		Horizontal			
Ventilortyp		Axiallaufrad			
Motor		Voll gekapselt, drehzahlvariabel, Klasse F			
Spannung		V AC			
1/min		1x230			
Stromstärke in Ampere		1360	1350	1350	1350
Verbrauch Ventilator	kW	0.06	0.09	0.19	0.31
	kg	11.6	15.2	19.0	21.4
Abmessungen	A mm	298	325	372	400
	B x B mm	296	364	422	478
	C mm	275	344	395	441
	D mm	75	85	100	100
	E mm	220	280	330	380
Temperaturbeständigkeit	Zeitweiliger Betrieb	720 °C (bei laufendem Ventilator)			
	Dauerbetrieb.	500 °C (bei laufendem Ventilator)			
	bei ausgeschaltetem Ventilator	Max. 250 °C (Ventilator nicht aktiv)			



- 1 Kasten für Kondensator und Wartungsschalter
- 2 Anschlusskabel
- 3 Motor
- 4 Motorgehäuse
- 5 Motorplatte
- 6 Vogelschutzgitter
- 7 Trägerplatte
- 8 Verschlusschraube
- 9 Einlass
- 10 Axialflügel
- 11 Scharnier
- 12 Kondensator (im Kasten)
- 13 Kühlrad

2.3.2 Planung



1. Achten Sie auf angemessene Verbrennungsluftbedingungen.
2. Sorgen Sie für eine stabile Tragekonstruktion für den Rauchsauger.
3. Bestimmen Sie die Anlagenart.
4. Achten Sie auf die Einhaltung angemessener Sicherheitsmaßnahmen beim Einsatz von Holzverbrennungsanlagen.

Verbrennungsluft

Bei den Verbrennungsluftbedingungen sind die vor Ort geltenden gesetzlichen Bestimmungen zu beachten.

Bei der Verbrennung ist für eine angemessene Frischluftzufuhr zu sorgen, da es sonst zu Fehlfunktionen und unzulässigem Ausblasen giftiger Abgase kommen kann.

Tragekonstruktion Vor der Installation des Rauchsaugers ist sicherzustellen, dass der Schornstein das Gewicht des Rauchsaugers sicher tragen kann.

Ein Stahlschornstein ist an der Dachdurchdringungsstelle angemessen zu stützen. Ragt der Schornstein hoch über das Dach hinaus, so müssen Schornstein und Rauchsauger an zwei bis drei verschiedenen Punkten durch Drähte an Schornstein und Dach gesichert werden. (Anweisungen des Herstellers befolgen.)

Anlagenart

Haushaltsübliche offene Kamine und Holzöfen arbeiten normalerweise unter relativ stabilen Bedingungen ohne größere Druckfluktuation. Eine Regelung der Geschwindigkeit und der Frischluftzufuhr ist jedoch notwendig, wenn das Holz herunterbrennt und neues Holz nachgelegt wird.

Offene Kamine in Restaurants unterliegen starken Druckschwankungen. Türen werden geöffnet und wieder geschlossen, Küchenabzüge entziehen Luft usw. So kann leicht unerwünschte Abgasentwicklung entstehen.

Holzbeheizte Pizzaöfen und Grillstellen befinden sich normalerweise in Restaurantküchen, wo auch Küchenabzüge betrieben werden. Daher ist darauf zu achten, dass die Geschwindigkeit des Ventilators selbst bei einem gut ausgewogenen Abzugssystem geregelt werden muss, um unerwünschte Abgasentwicklung zu vermeiden.

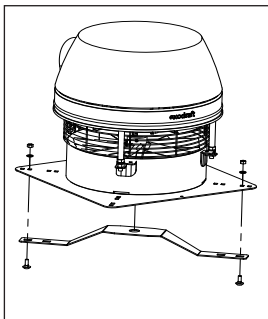
Beim Einsatz mit Heizkesseln und anderen Heizanlagen wird der RSHT Rauchsauger oft mit einem Druckregler ausgestattet, der für einen optimalen Abzug der Abgase von der Anlage sorgt.

2.4 Einbau

2.4.1 Transportsicherung

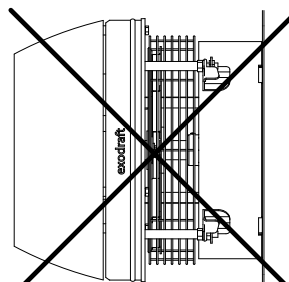
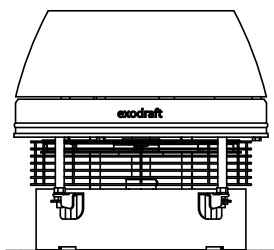


Entfernen Sie die Transportsicherung vom Kühlflügel und stellen Sie sicher, dass sich der Kühlflügel ungehindert drehen kann.



2.4.2 Positionierung

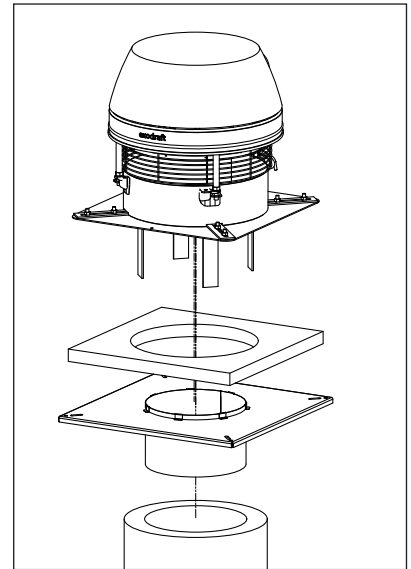
Der Rauchsauger ist senkrecht zu montieren.



2.4.3 Einzelventilator auf Stahlschornstein

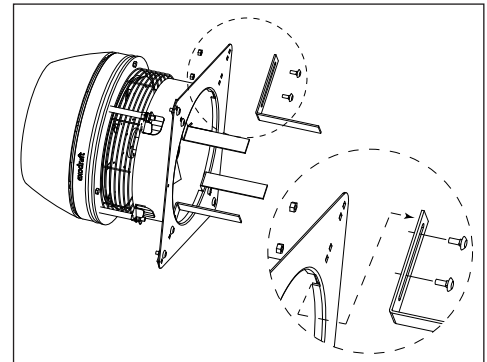
Schritt 1: Einzelventilator auf Stahlschornstein

- Der Stahlschornsteinadapter FR-xxx (Zubehör) passt genau in den Schornstein, wobei das lange Einschubrohr eine sichere Befestigung ermöglicht.
- Messen Sie den Innendurchmesser des Abgasschachts und schneiden Sie ein entsprechendes Loch in die Mitte der Mineralwollmatte. Ist der Schornstein so groß, dass das Anschlussstück des Adapters auf das Anschlussstück des Rauchsaugers passt, ist das Loch in der Mineralwollmatte entsprechend diesem Durchmesser auszuführen.



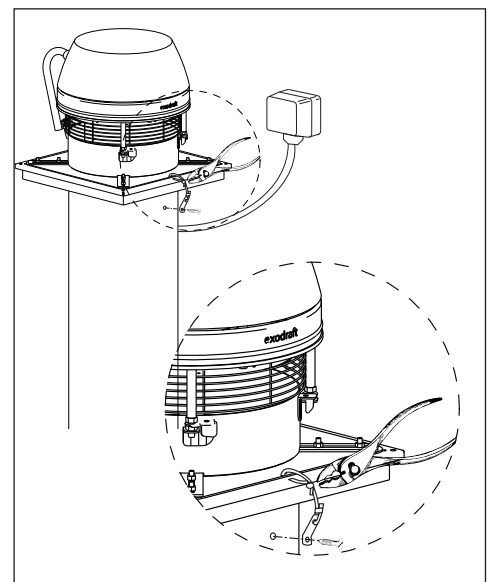
Schritt 2: Vorbereitung des exodraft Rauchsaugers

- Platzieren Sie die Montagewinkel auf die Aussparungen in der Rauchsaugerträgerplatte und sichern Sie sie mit den mitgelieferten Schrauben und Muttern. Ist der Schachtdurchmesser größer als der Rauchsaugereinlass, können die Winkel unter der Trägerplatte angebracht werden. Die Schrauben müssen von der Unterseite her eingebracht werden.
- Passen Sie die Endposition der Montagewinkel so an, dass eine kleine Lücke zwischen den Winkeln und der Schachtwand/dem Adapterendstück entsteht. Größe: ca. 5-10 mm.
- Ziehen Sie die Muttern fest. Wenn die Winkel die Schachtwand berühren, kann ein Vibrationsgeräusch entstehen.



Schritt 3: Befestigung des Rauchsaugers

- Der Rauchsauger ist jetzt bereit für die Installation oben auf dem Schornstein.
- Platzieren Sie die Mineralwollmatte auf dem Adapter und danach den Rauchsauger auf der Matte.
- Führen Sie dann den Draht durch das Loch in der Trägerplatte und in die Drahtklemme.
- Ziehen Sie den Sicherungsdraht leicht an und schließen Sie die Drahtklemme, sodass der Rauchsauger beim Öffnen für Wartungs- und Reinigungszwecke gesichert ist.

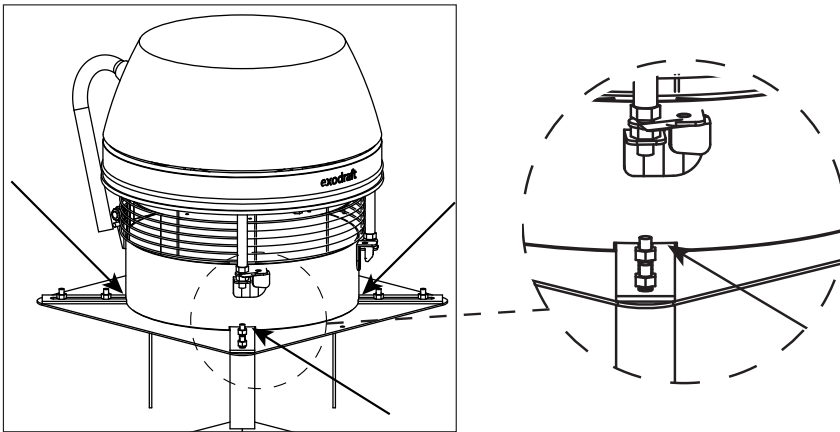


HINWEIS

Der Panzerschlauch muss gerade runterhängen. Beim Zumachen, bitte das Oberteil mit der Hand festhalten.

Schritt 4: Versiegelung der Aussparungen

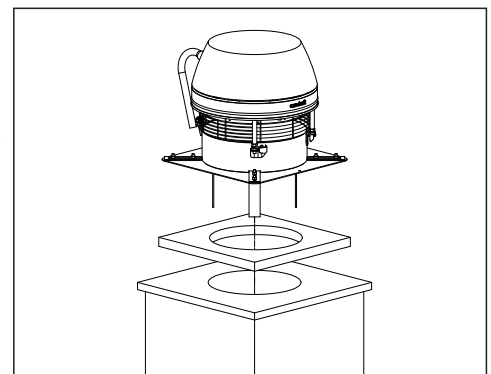
- Um zu verhindern, dass Regenwasser in den Schornstein eindringt, müssen die vier Aussparungen mit Silikon versiegelt werden.



2.4.4 Einzelventilator auf Ziegelschornstein

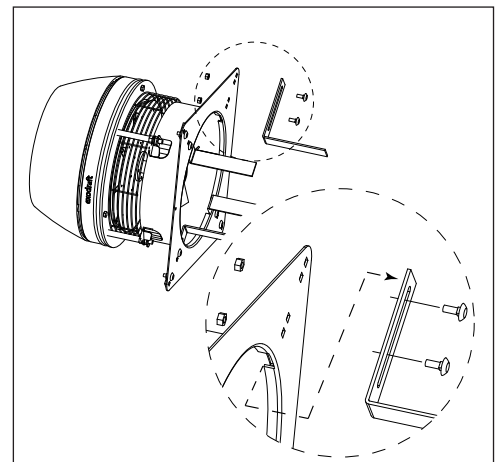
Schritt 1: Vorbereitung des Montageorts

- Das Installationsverfahren für runde und eckige Schächte ist identisch. Ist ein Schornsteineinsatzrohr vorhanden, kann es einige Zentimeter weit herausstehen. Schneiden Sie es so zurück, dass es bündig mit der Schornsteinkrone ist oder nicht mehr als 10 mm hervorsteht.
- Messen Sie den Innendurchmesser des Schachts, schneiden Sie ein entsprechendes Loch in die Mineralwollmatte und lassen Sie dabei einen Mindestabstand von 20 mm an allen Seiten der Mineralwollmatte.



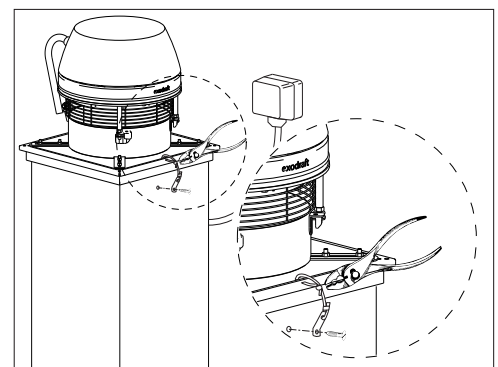
Schritt 2: Vorbereitung des Rauchsaugers

- Platzieren Sie die Montagewinkel auf die Aussparungen in der Rauchsaugerträgerplatte und sichern Sie sie mit den mitgelieferten Schrauben und Muttern. Ist der Schachtdurchmesser größer als der Rauchsaugereinlass, können die Winkel unter der Trägerplatte angebracht werden. Die Schrauben müssen von der Unterseite her eingebracht werden.
- Passen Sie die Endposition der Winkel so an, dass eine kleine Lücke zwischen den Winkeln und der Schachtwand entsteht. Größe: ca. 5-10 mm. Wenn die Winkel die Schachtwand berühren, kann ein Vibrationsgeräusch entstehen.



Schritt 3: Befestigung des Rauchsaugers

- Der Rauchsauger ist nun bereit für die Installation auf dem Schornstein. Platzieren Sie die Mineralwollmatte auf dem Schornstein und danach den Rauchsauger auf der Matte.
- Montieren Sie den Sicherungsdraht am Schornstein. Verwenden Sie die mitgelieferte Schraube und den Dübel, um ihn am Schornstein zu befestigen. Führen Sie dann den Draht durch das Loch in der Trägerplatte und in die Drahtklemme.
- Ziehen Sie den Sicherungsdraht leicht an und schließen Sie die Drahtklemme, sodass der Rauchsauger beim Öffnen für Wartungs- und Reinigungszwecke gesichert ist.

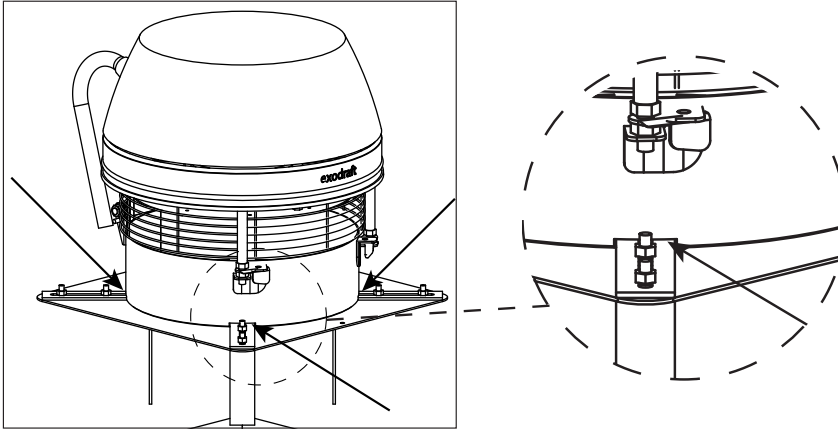


**HINWEIS**

Der mitgelieferte Stahldraht ist stets am Schornstein zu befestigen. Der Panzerschlauch muss gerade runterhängen. Beim Zumachen, bitte das Oberteil mit der Hand festhalten.

Schritt 4: Versiegelung der Aussparungen

Um zu verhindern, dass Regenwasser in den Schornstein eindringt, müssen die vier Aussparungen mit Silikon versiegelt werden.



2.5 Elektroinstallation

2.5.1 Allgemeines



GEFAHR!

Vor Aufnahme der Arbeiten Stromzufuhr abschalten.

Das Berühren stromführender Komponenten kann zu Verletzungen durch Stromschlag und zum Tod führen.

Alle elektrischen Anschlüsse müssen den geltenden gesetzlichen Bestimmungen entsprechen.

Die benötigte Stromversorgung ist von der Größe des Rauchsaugers abhängig. Nötige Stromversorgung:

RSHT009	1 x 230 V/50 Hz 0,26 Amp.
RSHT012	1 x 230 V/50 Hz 0,55 Amp.
RSHT014	1 x 230 V/50 Hz 1,00 Amp.
RSHT016	1 x 230 V/50 Hz 1,90 Amp.

Die technischen Daten für Ventilator und Motor befinden sich auf dem Typenschild des Rauchsaugers. Rauchsauger von **exodraft** verfügen über einen drehzahlvariablen Motor mit Betriebskondensator. Der Kondensator befindet sich in einem außen liegenden Kasten, der auch den Wartungsschalter enthält.

Die Minstdrehzahl ist entsprechend Steuerungsart, Ventilatorgröße und Schornstein individuell einzustellen.



Hinweis

Muss eines der Originalkabel ersetzt werden, sind vergleichbare Kabel mit gleicher Temperaturbeständigkeit zu verwenden. Andernfalls kann die Isolation beschädigt werden und den stromführenden Draht freisetzen.

2.5.2 Elektrischer Anschluss

Die Anschlüsse sind gemäß dem Schaltbild vorzunehmen. Weitere Informationen über den Anschluss einer Steuerung entnehmen Sie bitte den Hinweisen zu den **exodraft** Steuereinheiten.

Eine Blitzableitung ist entsprechend den geltenden gesetzlichen Bestimmungen auszuführen.

Elektrischer Anschluss von Kondensator und Wartungsschalter

Alle Anschlüsse außer der Stromversorgung über das Netz oder die **exodraft** Steuereinheit sind bei Lieferung ausgeführt.

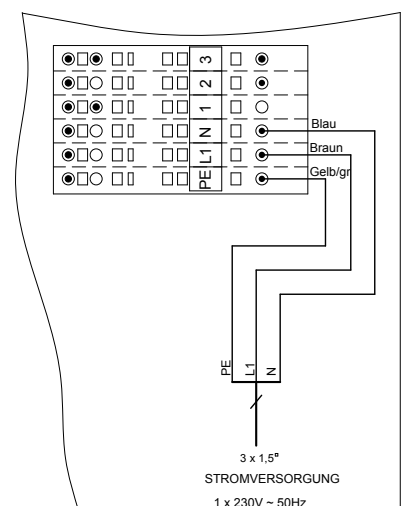
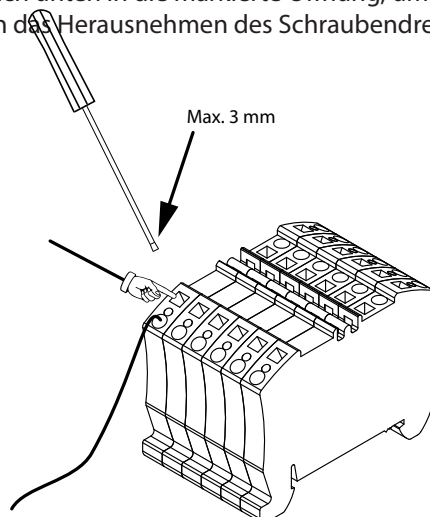
Zur Befestigung der Kabel in den Anschlussklemmen ist ein Schlitzschraubendreher (max. 3 mm) zu verwenden. Drücken Sie ihn fest und gerade nach unten in die markierte Öffnung, um die Klemme zu lösen. Das Kabel kann nun in die Klemme geführt werden. Durch das Herausnehmen des Schraubendrehers wird das Kabel gesichert.

Verbindungen:

L1 Zuleitung zur Klemme L1

N Zuleitung zur Klemme N

PE Zuleitung zur Klemme PE



2.6 Inbetriebnahme und Konfiguration

2.6.1 Systemtest

Führen Sie folgendes aus, bevor Sie Einstellungen am System vornehmen:

Schalten Sie den Rauchsauger EIN und überprüfen Sie, ob er läuft. Erhöhen und senken Sie die Geschwindigkeit des Ventilators durch Einstellung der Drehzahlsteuerung um zu überprüfen, ob sie korrekt funktioniert.

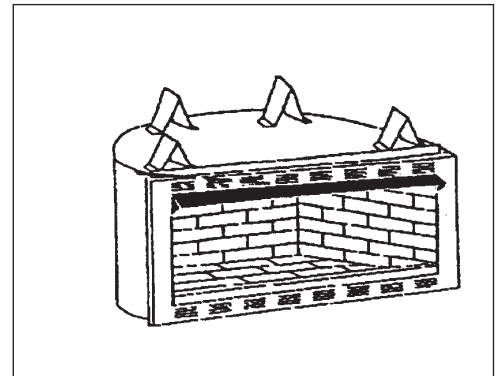


GEFAHR!

Überprüfen Sie die Heizanlagen (Warmwasserbereiter, Öfen usw.) bei laufendem Ventilator auf korrekten Betrieb. Stellen Sie sicher, dass kein unerwünschter Abgasausstoß entsteht, da dies zu einer Kohlenmonoxidvergiftung führen kann.

2.6.2 Testen eines offenen Kamins oder eines Ofens

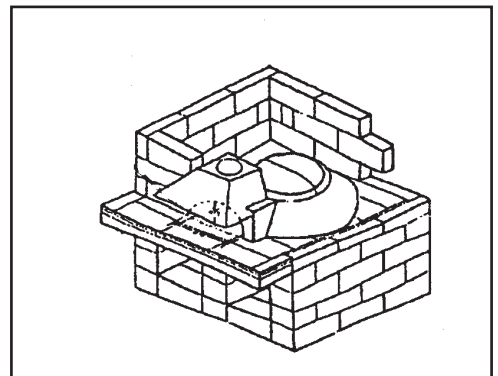
- Legen Sie einige Holzstücke auf ein Gitter am Boden des Kamins oder des Ofens.
- Stellen Sie vor dem Anzünden des Feuers den Ventilator auf hohe/volle Geschwindigkeit (öffnen Sie bei Öfen die Luftzuführung vollständig).
- Zünden Sie das Feuer an und stellen Sie sicher, dass vom Kamin kein unerwünschter Abgasausstoß erfolgt.
- Wenn das Feuer richtig brennt, senken Sie die Geschwindigkeit des Ventilators auf einen Wert, bei dem er noch immer die Abgase sicher entfernt. Merken Sie sich diese Einstellung an der Steuerung der Ventilatorgeschwindigkeit, denn sie entspricht der normalen Betriebseinstellung/Betriebsgeschwindigkeit für den Rauchsauger.



2.6.3 Testen eines Pizzaofens

Die meisten Pizzaöfen bestehen aus einer Kuppelkonstruktion mit einer Öffnung nach vorn, die durch eine Eisentür verschlossen werden kann. Oberhalb der Öffnung ist eine Abzugshaube mit dem Abgasschacht verbunden, um Rauch und Gerüche aufzufangen und sicher abzuführen (siehe Abbildung).

- Legen Sie einige Holzstücke hinten in die Kuppelkonstruktion und stellen Sie den Ventilator auf hohe/volle Geschwindigkeit. Zünden Sie das Feuer an. Schalten Sie alle anderen Abluftventilatoren (Dunstabzugshauben usw.) ab und stellen Sie sicher, dass von der Haube kein Abgasausstoß in den Raum erfolgt.
- Wenn das Feuer richtig brennt, senken Sie die Geschwindigkeit des Ventilators auf einen Wert, bei dem er noch immer die Abgase sicher entfernt. Markieren Sie diese Einstellung auf der Abdeckung der Ventilatorgeschwindigkeitssteuerung, denn sie entspricht der normalen Betriebseinstellung/Betriebsgeschwindigkeit für den Rauchsauger.



2.6.4 Betrieb eines offenen Kamins oder eines Ofens

- Stellen Sie vor dem Anzünden des Feuers den Ventilator auf hohe/volle Geschwindigkeit und entzünden Sie das Feuer entsprechend der für einen offenen Kamin oder einen Ofen üblichen Verfahrensweise. Wenn das Feuer nach 3-5 Minuten richtig brennt, senken Sie die Geschwindigkeit des Ventilators auf einen Wert, bei dem er die Abgase sicher abführt und das Feuer gut brennt.
- Wenn Sie Holz nachlegen, kann es notwendig sein, die Geschwindigkeit des Ventilators kurzzeitig zu erhöhen. Wenn Sie dieses Verfahren befolgen, können Sie Energie sparen und gleichzeitig die maximale Heizwirkung der Anlage erzielen.

2.6.5 Betrieb eines Pizzaofens

- Stellen Sie vor dem Anzünden des Feuers den Ventilator auf hohe/volle Geschwindigkeit und entzünden Sie das Feuer entsprechend den Anweisungen des Ofenherstellers, bzw. wenn solche Anweisungen nicht vorhanden sind, entsprechend der für einen offenen Kamin oder Ofen üblichen Verfahrensweise. Wenn das Feuer nach 3-5 Minuten richtig brennt, senken Sie die Geschwindigkeit des Ventilators auf einen Wert, bei dem er die Abgase sicher abführt und das Feuer gut brennt.
- Wenn Sie Holz nachlegen, kann es notwendig sein, die Geschwindigkeit des Ventilators kurzzeitig zu erhöhen.



ACHTUNG!

Vermeiden Sie eine Überfeuerung des offenen Kamins, des Ofens oder Pizzaofens. Kleine Rußablagerungen könnten sich entzünden und einen Schornsteinbrand verursachen, der zu einer gefährlichen Überhitzung des Schornsteinschachts führen kann.

2.6.6 Betrieb von Heizkesseln oder Hochtemperaturanlagen

- Vor Inbetriebnahme des Heizkessels, Ofens oder der Prozessanlage muss der Ventilator auf voller Geschwindigkeit betrieben werden. Je nach Steuerungssystem kann die Geschwindigkeit auf einen niedrigeren Wert eingeregelt werden. Befolgen Sie immer die Anweisungen des Herstellers.

2.7 Wartung und Fehlersuche

2.7.1 Pflege und Reinigung

Der **exodraft** Rauchsauger wurde für die langfristige Nutzung entwickelt. Der Rauchsauger sollte mindestens einmal jährlich bei der Inspektion des Schornsteins überprüft werden. Ruß und andere Ablagerungen müssen von den Laufradflügeln und vom Boden des Motorgehäuses entfernt werden.

Das Oberteil des Rauchsaugers ist mit einem Scharnier versehen und kann für eine leichtere Reinigung aufgeklappt werden.



Achtung!

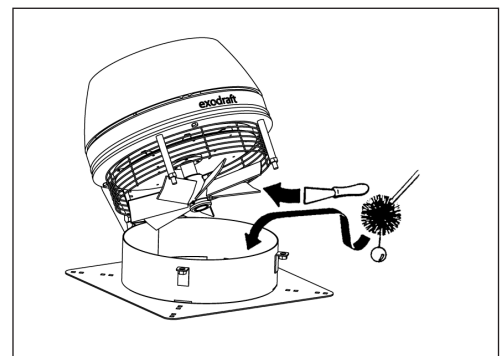
Öffnen Sie niemals das Motorgehäuse, ohne vorher die Stromversorgung des Rauchsaugers zu unterbrechen.

2.7.2 Reinigungsintervalle für den Schornstein

Es ist äußerst wichtig, den Schornsteinschacht von Ruß und anderen Ablagerungen frei zu halten. Ruß ist die Hauptursache von Schornsteinbrand. Die Reinigungsintervalle sind abhängig von der Nutzung der Anlage. Je häufiger die Anlage genutzt wird, desto häufiger muss der Schornsteinschacht gereinigt werden.

Wird ein offener Kamin regelmäßig (2-3 mal pro Woche) genutzt, kann eine halbjährliche Reinigung notwendig sein. Wird er täglich genutzt, können kürzere Reinigungsintervalle erforderlich werden. Bei der gewerblichen Nutzung von holzbefeuerten Pizzaöfen ist davon auszugehen, dass alle 2-3 Monate eine Reinigung erfolgen muss.

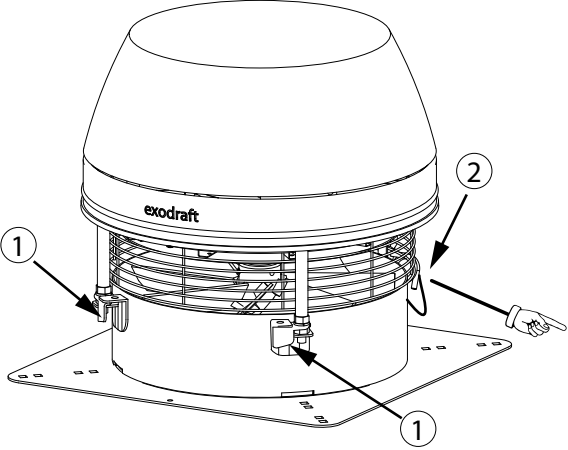
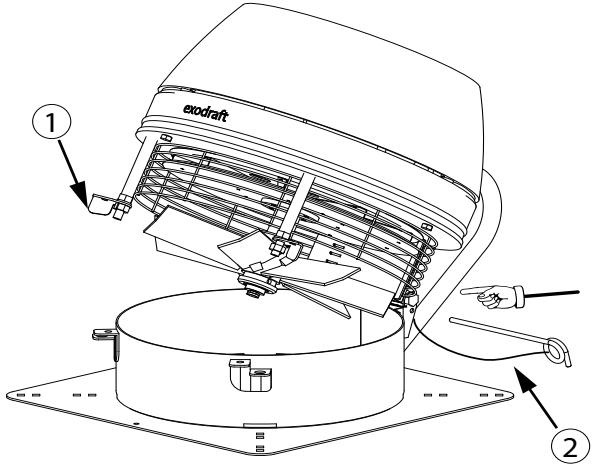
Unabhängig von der Nutzungshäufigkeit müssen Schornsteinschächte für holzbefeuerte Anlagen mindestens einmal jährlich gereinigt und überprüft werden.



ANMERKUNG

Der Schornstein sollte durch eine ausgebildete Fachkraft gereinigt werden.

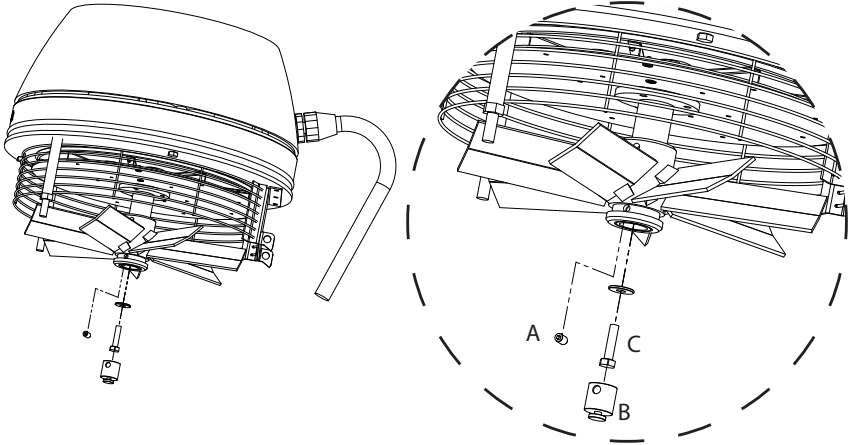
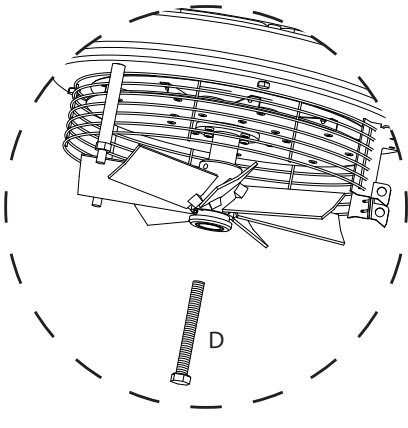
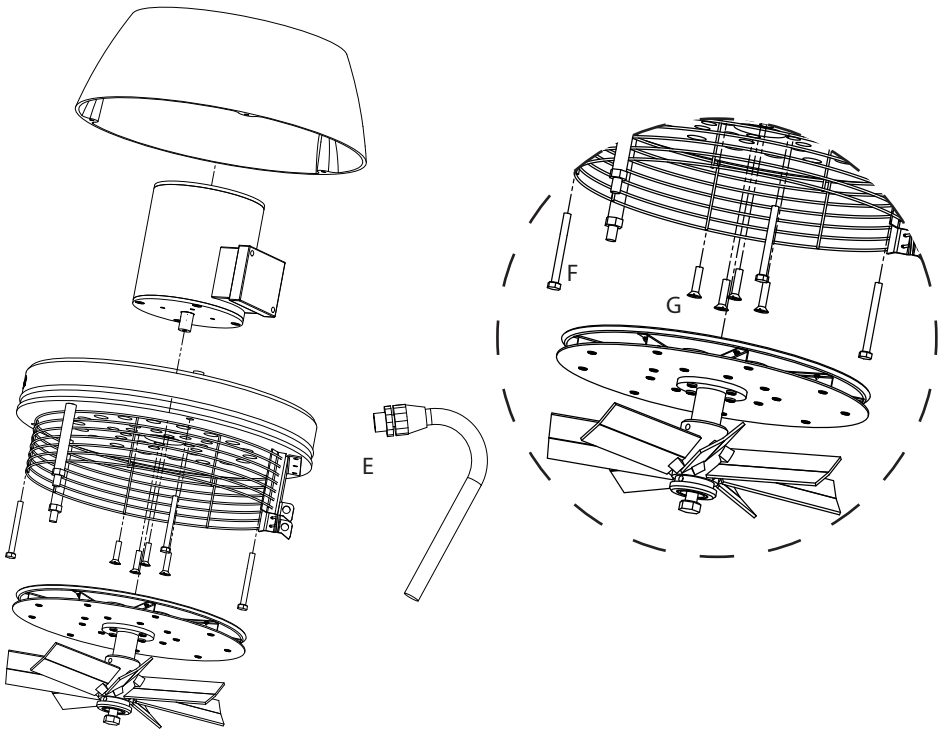
2.7.3 Vor der Wartung

<p>Zum Öffnen des Rauchsaugers:</p> <ul style="list-style-type: none"> • Entfernen Sie die untere Mutter an Position 1 und drehen Sie die Griffe. • Entfernen Sie den Verriegelungsstift von der Rückseite des Lüfters. 	<p>Legen Sie den Sicherungsstift (2) wieder in die Halterung, um den Rauchsauger in geöffneter Position zu sichern.</p>
	

2.7.4 Fehlersuche

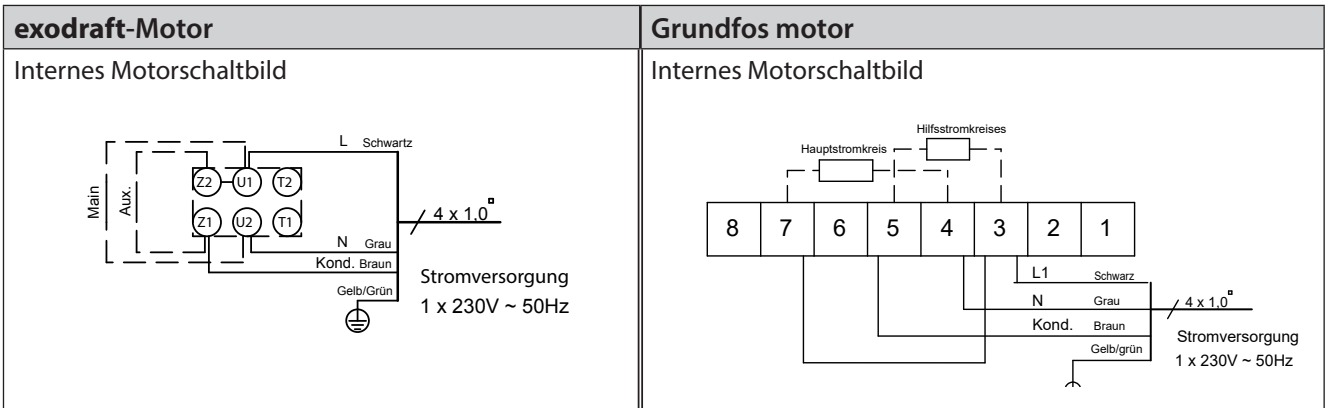
Feststellung	Problem	Lösung
Keine Stromversorgung des Rauchsaugers	<ul style="list-style-type: none"> – Wartungsschalter steht auf 'aus'. – Ventilatorgeschwindigkeitssteuerung steht auf 'aus'. – Elektrischer Anschluss fehlerhaft. 	<ul style="list-style-type: none"> – Wartungsschalter prüfen. – Ventilatorgeschwindigkeitssteuerung einschalten. – Versorgung prüfen und Problem beheben.
Rauchsauger hat Stromversorgung, läuft aber nicht	<ul style="list-style-type: none"> – Elektrischer Anschluss fehlerhaft. – Niederspannungseinstellung der Ventilatorgeschwindigkeitssteuerung zu niedrig. – Ventilatorgeschwindigkeitssteuerung fehlerhaft. 	<ul style="list-style-type: none"> – Versorgung prüfen und Anschlussproblem beheben. Dabei besonders auf die Anschlüsse im Anschlusskasten achten. – Der Ventilatorgeschwindigkeitssteuerung erhöhen. – Ventilatorgeschwindigkeitssteuerung ersetzen.
Rauchsauger hat Stromversorgung, aber er brummt und dreht sich nicht	<ul style="list-style-type: none"> – Kondensator möglicherweise defekt. – Störende Rußablagerungen. – Transportsicherung nicht entfernt. 	<ul style="list-style-type: none"> – Kondensator prüfen und gegebenenfalls ersetzen. – Rauchsauger reinigen. – Transportsicherung entfernen.
Rauchsauger funktioniert anscheinend korrekt, erzeugt aber nicht genug Zug	<ul style="list-style-type: none"> – Rauchsauger möglicherweise unterdimensioniert. 	<ul style="list-style-type: none"> – Durch größeren Rauchsauger ersetzen.
Der Rauchsauger vibriert	<ul style="list-style-type: none"> – Motorwelle möglicherweise verbogen. 	<ul style="list-style-type: none"> – Motor ersetzen.
Luftströmungsgeräusche an der Öffnung des offenen Kamins	<ul style="list-style-type: none"> – Abgasschacht unterdimensioniert. – Rauchsauger überdimensioniert und zu schnell. 	<ul style="list-style-type: none"> – Kaum Abhilfemöglichkeiten vorhanden. Versuchen Sie, die Öffnung des Kamins zu verkleinern. – Ventilatorgeschwindigkeit senken.
Es sind mechanische Geräusche zu hören	<ul style="list-style-type: none"> – Möglicherweise Fremdkörper vorhanden. – Motorlager möglicherweise abgenutzt. 	<ul style="list-style-type: none"> – Fremdkörper entfernen. – Motorlager ersetzen.

2.7.5 Ersetzen von Laufrad und Motor

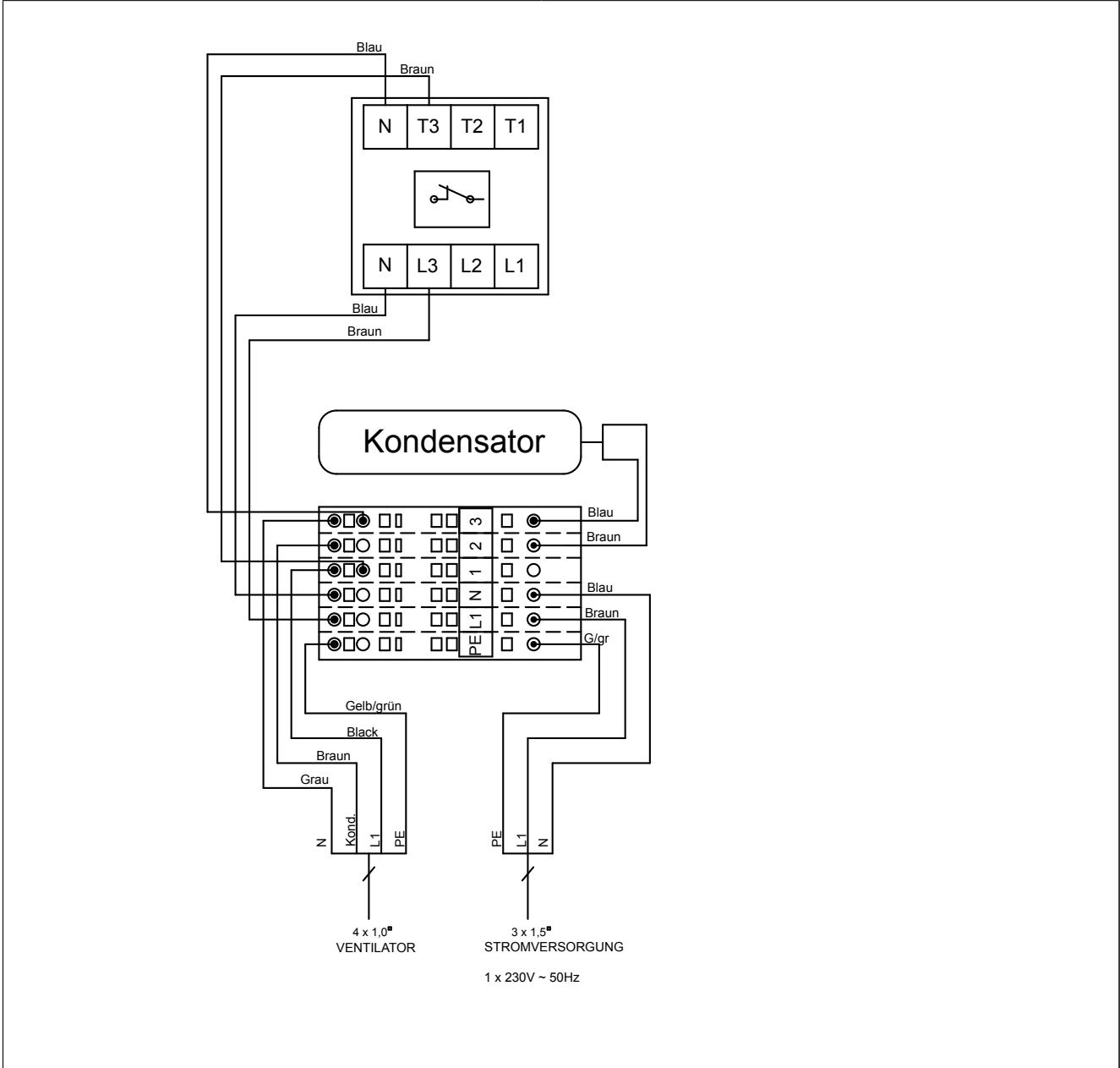
<p>Laufrad ersetzen</p> <p>A. Lösen Sie die Sechskantschraube.</p> <p>B. Ziehen Sie den Laufradzapfen heraus.</p> <p>C. Lösen und entfernen Sie die M6-Schraube am Ende der Laufradachse.</p>	
<p>D. Verwenden Sie eine M10-Schraube mit einer Länge von mindestens 140 mm und einer Gewindelänge von mindestens 40 mm. Halten Sie das Rad fest, damit es sich nicht drehen kann. Beim Eindrehen der Schraube wird das Rad von der Motorachse gezogen.</p>	
<p>Motor ersetzen</p> <p>E. Lösen Sie die Kabelverschraubung.</p> <p>F. Entfernen Sie die drei Schrauben, die das Oberteil sichern.</p> <p>G. Entfernen Sie die vier Schrauben, die den Motor sichern.</p>	

2.7.6 Innenschaltbilder

Alle Anschlüsse außer der Stromversorgung über das Netz oder die **exodraft** Steuereinheit sind bei Lieferung ausgeführt.



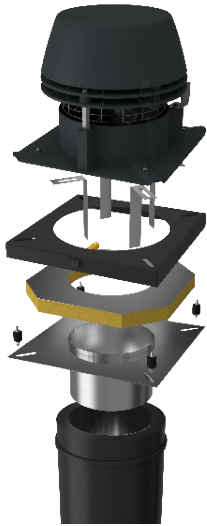
Anschlüsse im Schaltkasten



2.8 Montage mit Gummischwingungsdämpfer und Abdeckplatte, mit und ohne Montageflansch

exodraft bietet zum Schutz vor Verwitterung der Dämmplatte eine Metallabdeckung, sowie Gummischwingungsdämpfer zur schallentkoppelten Montage an. Diese Teile sind als Zubehör bei **exodraft** separat zu bestellen.

Montageübersicht für Stahlschornsteine und Abdeckplatte:

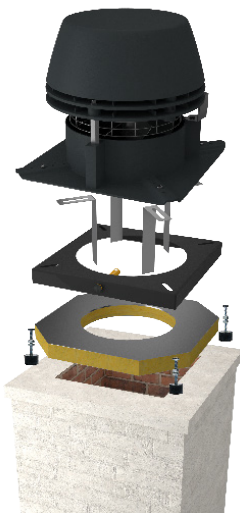


Bei der Montage des Rauchsaugers auf einem Edelstahl Schornstein oder Rohrelement mit einem Montageflansch (separat zu bestellen), kommen die Gummischwingungsdämpfer SVD-RS bzw. FR4 (separat zu bestellen) mit beidseitigem Gewinde zum Einsatz.

Die Abdeckplatte FRXXXAFD6 (separat zu bestellen) wird wie im Bild gezeigt zum Schutz der Dämmplatte montiert.

Die Montagewinkel sollten als zusätzlicher Fallschutz zur Sicherheit an den Rauchsauger angebracht werden. Bitte beachten Sie, dass die Winkel **nicht** an der Rohrwand anliegen, damit keine Schallübertragung stattfindet.

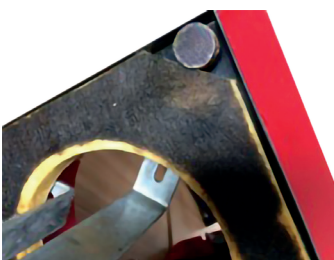
Montageübersicht für gemauerte Schornsteine mit Abdeckplatte und Gummischwingungsdämpfern



Bei der Montage des Rauchsaugers auf einem gemauerten Schornstein mit Abdeckung FRXXXAFD6-001 (separat zu bestellen) zum Schutz der Schalldämmmatte, werden die Gummischwingungsdämpfer RSD (separat zu bestellen) als Abstandshalter mit eingebaut.

Die Schwingungsdämpfer werden so montiert, dass sie ca. 3-4mm unter der Kante der Abdeckung herausragen. Hierdurch liegt die Abdeckplatte nicht auf dem Schornstein auf und eine Übertragung der Laufgeräusche auf den Schornstein wird so unterbunden (Schallentkopplung). Siehe Bilder unten.

Die Montagewinkel werden vor dem Aufsetzen des Rauchsaugers an den Rauchsauger montiert, die als Fallschutz zur Sicherheit dienen.



3. Comment utiliser ce manuel FR

Ce manuel d'installation ne contient aucune documentation sur la conception des systèmes.

Les accessoires ne sont pas traités dans ce manuel. Prière de vous reporter aux manuels individuels de ces composants.

3.1 Informations produit

3.1.1 Fonction

Utilisation

L'aspirateur de fumée **exodraft** modèle RSHT est un ventilateur monté au sommet du conduit de cheminée, conçu pour de gros volumes de gaz de fumée et pour fonctionner à des températures élevées. Il est destiné à être utilisé pour des combustibles solides mais peut également être utilisé pour des combustibles non solides. L'utilisation de l'aspirateur de fumée RSHT n'est pas limitée à un type quelconque de conduit de cheminée du fait que le ventilateur crée une pression négative (inférieure à la pression atmosphérique) dans le conduit de cheminée. Utilisations typiques dans des zones résidentielles : Contrôle du tirage d'une chaudière à combustible solide, d'une cheminée, d'un poêle, d'un barbecue ou d'un four à pizza. Dans les domaines industriels, les utilisations typiques se situent dans les industries de la boulangerie et de la transformation. L'aspirateur de fumée **exodraft** type RSHT est fourni avec supports pour l'emplacement, câble blindé, boîtier électrique avec interrupteur de réparation, câble de sécurité et tapis en laine minérale pour un montage sans vibrations.

Fonction

L'aspirateur de fumée RSHT est conçu pour résister aux températures élevées associées au brûlage de bois et au chauffage de chaudières et autres appareils industriels tels que fours. La construction axiale des ailettes donne un effet autonettoyant. Ce produit est conçu pour empêcher les problèmes de tirage en créant un tirage mécanique dans les systèmes de gaz de fumée et en augmentant ainsi également la capacité et l'efficacité du système de conduit de cheminée. L'aspirateur de fumée n'est pas seulement limité à une telle utilisation, il convient également parfaitement pour les cheminées, barbecues, fours à pizza et poêles à bois. De mauvaises habitudes d'entretien du feu peuvent avoir pour résultat des problèmes de suie, feu de cheminée, etc., qui risquent d'endommager l'aspirateur de fumée. Le condensateur de démarrage est considéré comme une pièce d'usure et devra être remplacé en fonction de son utilisation.

Avertissement

Toutes les installations doivent être effectuées par du personnel compétent conformément aux lois et réglementations nationales

Afin d'éviter les feux de cheminée, il faut s'assurer que le conduit de cheminée a été ramoné avant d'installer l'aspirateur.

L'aspirateur de fumée doit toujours être en service lorsque la cheminée est utilisée (+250 °C) Veuillez toujours lire les instructions d'installation de l'unité de commande **exodraft** avant d'installer l'aspirateur de fumée.

Si le système d'aspiration de fumée **exodraft** a été conçu pour des installations à combustible solide/combustibles multiples, veuillez vous assurer que la conception répond aux exigences de la norme EN15287-1. Si cela n'est pas possible, il faut installer un détecteur de fumée dans la même pièce que la chaudière.

exodraft recommande toujours l'utilisation d'un détecteur de fumée là où un foyer ouvert à combustible solide est installé.



Les aspirateurs servant aux chaudières à biomasse seront inévitablement recouverts d'un dépôt provenant de la chaudière. Pour les chaudières à biomasse notamment, il est essentiel de mettre en œuvre un programme régulier d'inspection et de nettoyage, surtout au début de l'utilisation afin d'établir un modèle de planification d'inspections et de nettoyages réguliers.

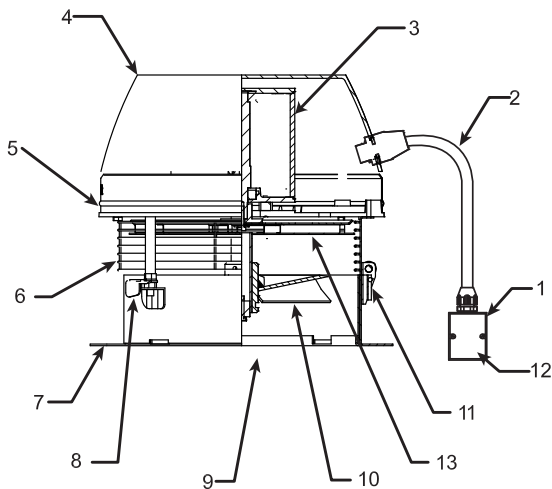
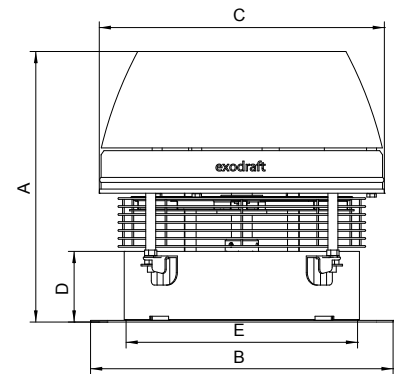
3.2 Garantie

Les produits **exodraft** bénéficient d'une garantie de deux (2) ans à partir de la date de la facture. Le remplacement ou la réparation de l'aspirateur se fera à la discrétion d'**exodraft**, à la condition qu'une inspection à l'usine montre un défaut du matériel ou de la qualité d'exécution.

3.3 Caractéristiques

3.3.1 Dimensions et rendements

Modèle		RSHT009	RSHT012	RSHT014	RSHT016
Evacuation		Horizontale			
Type d'aspirateur		Ailette axiale			
Type de moteur		Totalemment fermé, vitesse variable, classe F			
Tension V CA		1x230			
Tr/min		1360	1350	1350	1350
Intensité Amp		0,26	0,55	1,00	1,90
Consommation de l'aspirateur kW		0,06	0,09	0,19	0,31
Poids kg		11,6	15,2	19,0	21,4
Dimensions	A mm	298	325	372	400
	B x B mm	296	364	422	478
	C mm	275	344	395	441
	D mm	75	85	100	100
	E mm	220	280	330	380
Température nominale	Intermédiaire	720 °C (aspirateur en marche)			
	Constante.	500 °C (aspirateur en marche)			
	L'aspirateur est arrêté	Max. 250 °C (aspirateur inactif)			



- 1 Condensateur et boîtier électrique avec interrupteur de réparation
- 2 Conduit/cordon
- 3 Moteur
- 4 Carter du moteur
- 5 Plaque du moteur
- 6 Grille de protection contre les oiseaux
- 7 Plaque de base
- 8 Ecrou de verrouillage
- 9 Entrée
- 10 Ailette axiale
- 11 Charnière
- 12 Condensateur (à l'intérieur du boîtier)
- 13 Roue de refroidissement

3.3.2 Planification



1. Examiner si les conditions d'arrivée de l'air de combustion sont correctes.
2. Prévoir un système de support solide pour l'aspirateur de fumée.
3. Déterminer le type de système concerné.
4. Veiller à prendre des mesures de sécurité satisfaisantes afin d'assurer l'utilisation en toute sécurité des chaudières à bois.

Air de combustion nécessaire

L'alimentation en air de combustion doit être conforme à la réglementation locale applicable.

Une arrivée d'air adéquate doit être prévue pour la combustion ; dans le cas contraire, il peut en résulter un mauvais fonctionnement et une élimination inadéquate de gaz de fumée mortels.

Système de support Avant l'installation de l'aspirateur de fumée, il faut s'assurer que la cheminée peut supporter le poids de l'aspirateur de fumée en toute sécurité. Un conduit de cheminée en acier doit être solidement supporté au point d'entrée dans le toit. Si la cheminée est bien plus haute que le toit, la cheminée et l'aspirateur de fumée doivent être arrimés par des câbles fixés à la cheminée et au toit à 2 ou 3 endroits différents. (Suivre les instructions du fabricant.) En général, les cheminées en briques ne nécessitent aucun support pour porter le poids de l'aspirateur de fumée.

Type de système Les cheminées et poêles à bois utilisés dans les résidences fonctionnent normalement dans un environnement relativement stable où il n'y a pas d'importantes fluctuations de pression. Cependant, le réglage de la vitesse et celui de l'arrivée d'air sont nécessaires au fur et à mesure que le bois brûle et que du nouveau bois est ajouté au feu.

Les foyers utilisés dans les restaurants sont soumis à d'importants changements de pression. Les portes sont ouvertes, refermées, les ventilateurs aspirants des cuisines extraient l'air, etc. Une perte d'énergie peut facilement se produire.

Des fours à pizza et des grils chauffés au bois sont normalement installés dans des cuisines de restaurant où des ventilateurs aspirants fonctionnent. Par conséquent, l'opérateur doit faire attention au fait que même avec un système d'extraction bien équilibré, il sera nécessaire d'ajuster la vitesse de l'aspirateur afin d'éviter le gaspillage d'énergie.

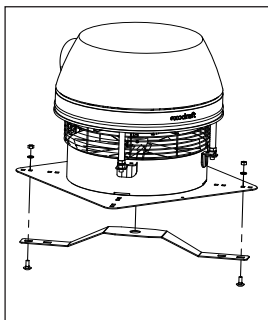
Pour l'utilisation avec des chaudières et autres appareils de chauffage, l'aspirateur de fumée RSHT est souvent fourni avec un régulateur à pression constante qui assure un tirage optimal à partir de la chaudière.

3.4 Installation mécanique

3.4.1 3.1 Dispositif de sécurité pour le transport

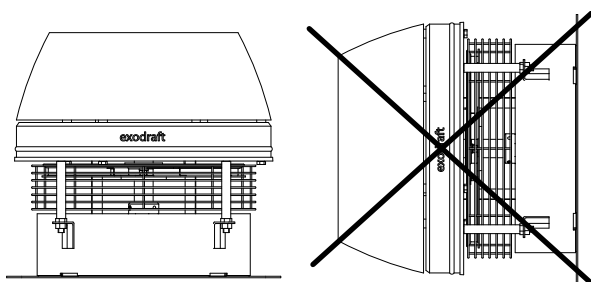


Retirer le dispositif de sécurité pour le transport de l'ailette et s'assurer que l'ailette peut tourner librement.



3.4.2 Positionnement

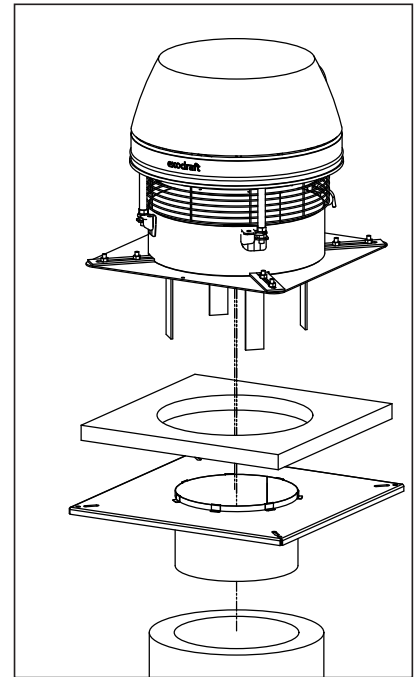
Il faut toujours installer l'aspirateur en position verticale. **NE PAS INSTALLER A L'HORIZONTALE**



3.4.3 Aspirateur simple sur cheminée en acier

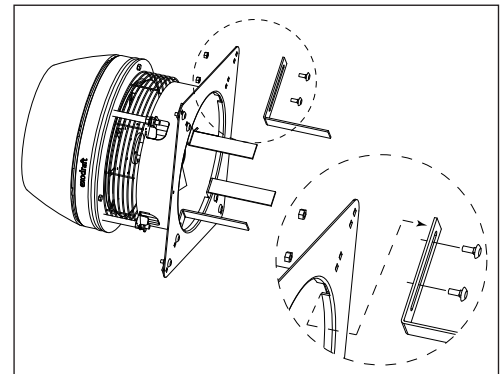
Etape 1 : Préparer l'emplacement de l'aspirateur

- Si un chapeau de cheminée est déjà installé, il faut le retirer. L'adaptateur pour cheminée en acier FR-xxx (accessoire) s'insère dans le conduit de cheminée et la longue bride assure un ancrage solide. Les amortisseurs de vibration fournis avec l'adaptateur pour cheminée ne doivent pas être utilisés sur un aspirateur de fumée RSHT.
- Mesurer le diamètre intérieur du conduit et découper un trou correspondant au milieu du tapis en laine minérale. Si la cheminée est grande au point que le passage dans l'adaptateur a été réduit afin de correspondre au passage dans l'aspirateur, le trou dans le tapis en laine minérale doit correspondre au passage.



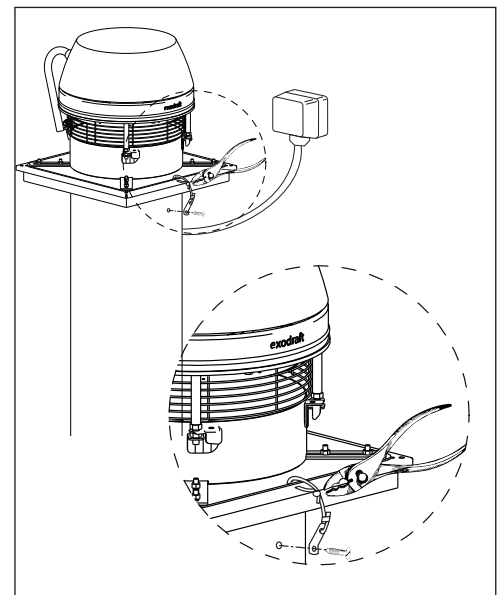
Etape 2 : Préparation de l'aspirateur exodraft

- Placer les supports d'installation dans les fentes qui traversent la base de l'aspirateur et fixer les supports à l'aide des boulons et écrous fournis. Si le diamètre du conduit est supérieur à celui de l'entrée de l'aspirateur de fumée, le support peut être installé en dessous de la base. Noter que les boulons doivent être installés en passant par le côté inférieur.
- Ajuster la position finale des supports d'installation en s'assurant qu'il existe un petit espace entre les supports et la paroi du conduit/le passage de l'adaptateur. Environ 5 à 10 mm.
- Serrer les écrous. Le contact entre les supports et la paroi du conduit risque d'engendrer du bruit dû aux vibrations.



Etape 3 : Fixation de l'aspirateur

- L'aspirateur de fumée est désormais prêt à être installé au sommet de la cheminée.
- Placez le tapis en laine minérale sur le dessus de l'adaptateur et placez le ventilateur sur le dessus du tapis.
- Installer le câble de sécurité dans la cheminée. Utiliser la vis auto-taraudeuse fournie dans la cheminée en acier. Ensuite installer le câble en le faisant passer par le trou dans la plaque de base et en l'insérant dans le verrou de câble.
- Serrer légèrement le câble de sécurité et serrer le verrou de câble de sorte que l'aspirateur de fumée soit sécurisé lorsqu'il est ouvert pour le nettoyage et l'entretien.

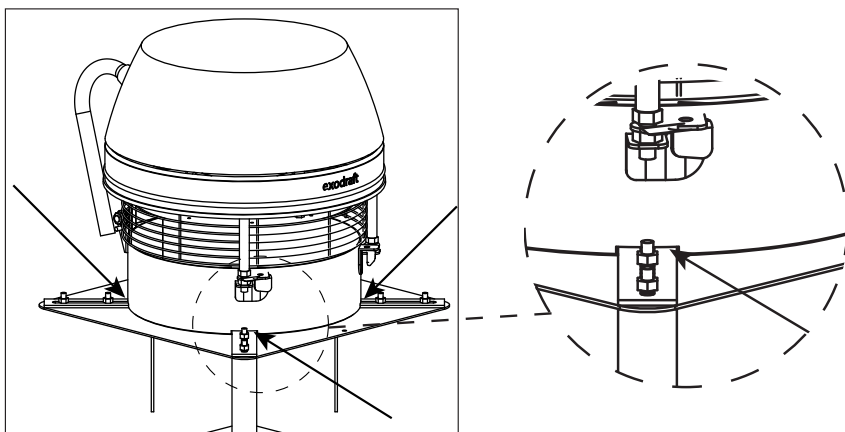


REMARQUE

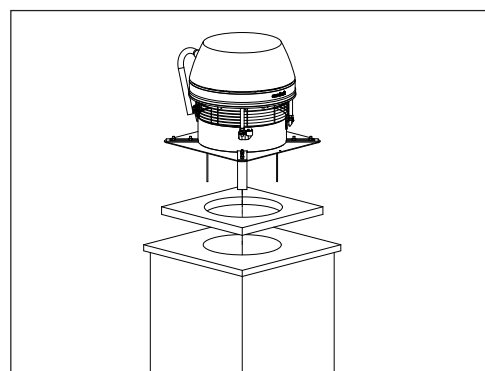
Le câble d'acier fourni doit toujours être fixé à l'aspirateur. Le câble blindé doit pendre directement de l'aspirateur. En fermant l'aspirateur, soutenir par la main la partie supérieure.

Etape 4 : Etanchéité des fentes

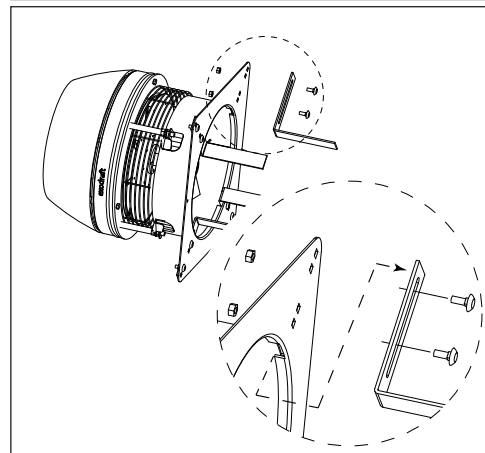
- Afin d'éviter l'entrée d'eau de pluie dans la cheminée, les 4 fentes doivent être scellées avec du silicone.

**3.4.4 Aspirateur simple sur cheminée en briques****Etape 1 : Préparer l'emplacement de l'aspirateur**

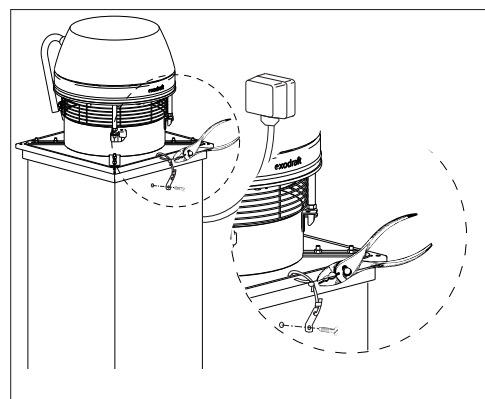
- La procédure d'installation est la même, que le conduit soit rond ou carré. Dans le cas où un revêtement de conduit en briques d'argile a été posé, il est possible qu'il dépasse de quelques centimètres. Il faut alors le découper afin qu'il soit aligné ou ne dépasse que de 10 mm le sommet de la cheminée.
- Mesurer le diamètre intérieur du conduit, découper un trou correspondant dans le tapis en laine minérale en laissant une distance minimale de 20 mm de tous les côtés du tapis en laine minérale.

**Etape 2 : Préparation de l'aspirateur**

- Placer les supports d'installation dans les fentes qui traversent la base de l'aspirateur et fixer les supports à l'aide des boulons et écrous fournis. Si le diamètre du conduit est supérieur à celui de l'entrée de l'aspirateur de fumée, le support peut être installé en dessous de la base. Noter que les boulons doivent être installés en passant par le côté inférieur.
- Ajuster la position finale des supports d'installation en s'assurant qu'il existe un espace entre les supports et la paroi du conduit. Environ 5 à 10 mm. Le contact entre les supports et la paroi risque d'engendrer du bruit dû aux vibrations.

**Etape 3 : Fixation de l'aspirateur**

- L'aspirateur de fumée est maintenant prêt à être installé sur le dessus de la cheminée. Placez un tapis de laine minérale sur le dessus de la cheminée et placez le ventilateur sur le dessus du tapis.
- Installer le câble de sécurité dans la cheminée. Utiliser la vis et la cheville fournies pour le fixer à la cheminée. Ensuite installer le câble en le faisant passer par le trou dans la plaque de base et en l'insérant dans le verrou de câble.
- Serrer légèrement le câble de sécurité et serrer le verrou de câble de sorte que l'aspirateur de fumée soit sécurisé lorsqu'il est ouvert pour le nettoyage et l'entretien.





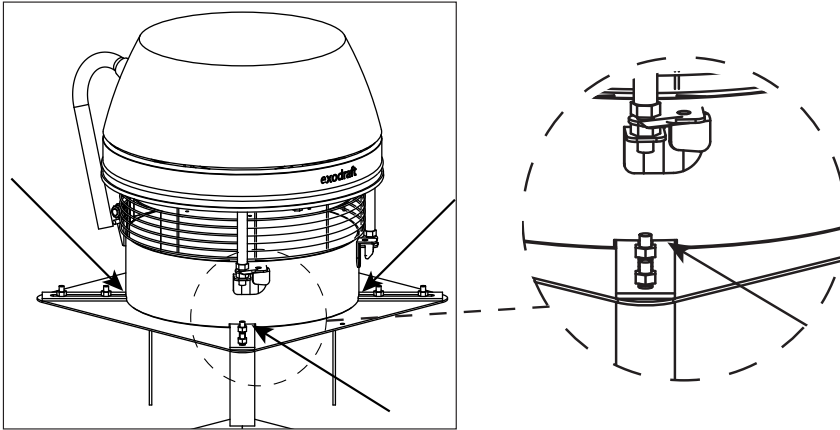
REMARQUE

Le câble d'acier fourni doit toujours être fixé à l'aspirateur.

Le câble blindé doit pendre directement de l'aspirateur. En fermant l'aspirateur, soutenir par la main la partie supérieure.

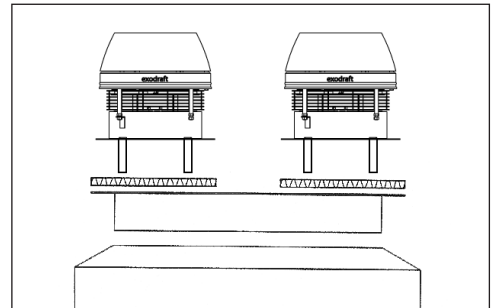
Etape 4 : Etanchéité des fentes

- Afin d'éviter l'entrée d'eau de pluie dans la cheminée, les 4 fentes doivent être scellées avec du silicone.



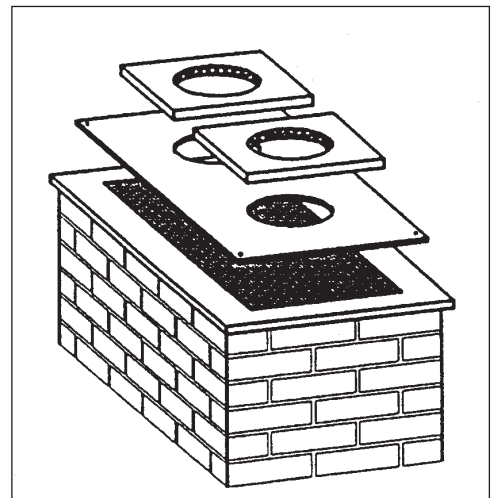
3.4.5 Plusieurs aspirateurs sur une cheminée en acier

- Si deux ou plusieurs aspirateurs de fumée sont nécessaires afin de créer un tirage suffisant, les procédures d'installation sont les mêmes que pour l'installation d'un seul aspirateur sur une cheminée en acier. La seule différence réside dans le fait que les aspirateurs sont installés l'un à côté de l'autre au sommet de la cheminée. Un boîtier de jonction spécial est nécessaire. (Il ne s'agit pas d'une pièce **exodraft**).
- En installant plusieurs aspirateurs, il est extrêmement important d'utiliser le même modèle et la même dimension d'aspirateur et de les contrôler en tandem par une (1) seule commande de vitesse.



3.4.6 Plusieurs aspirateurs sur une cheminée en briques – conduit surdimensionné

- Si deux ou plusieurs aspirateurs sont nécessaires afin de créer un tirage suffisant, il faut une plaque d'adaptation spéciale. (Il ne s'agit pas d'une pièce **exodraft**). Les deux ouvertures dans la plaque doivent correspondre au diamètre de passage du modèle d'aspirateur utilisé et la distance du centre au centre doit au minimum être égale à la largeur de l'aspirateur (dimension B, 3.3.1 Dimensions).
- L'adaptateur doit être scellé avec du silicone et boulonné sur le dessus. En installant plusieurs aspirateurs, il est extrêmement important d'utiliser le même modèle et la même dimension d'aspirateur et de les contrôler en tandem par une (1) seule commande de vitesse.
- La procédure doit être similaire si les dimensions du conduit dépassent les dimensions de la base de l'aspirateur. La plaque d'adaptation doit être dimensionnée de façon à couvrir le conduit et elle doit être fixée. Il faut découper une ouverture au centre de la plaque et installer l'aspirateur centré au-dessus de l'ouverture.



3.5 Installation électrique

3.5.1 Généralités



DANGER

Mettre hors tension avant toute opération de maintenance.

Le contact avec des composants sous tension peut entraîner un choc électrique ou la mort.

Tout le câblage électrique doit être conforme aux exigences imposées par les autorités compétentes en la matière.

La puissance exigée par le système dépend de la taille de l'aspirateur. Exigences électriques :

- RSHT009 1 x 230 V/50 Hz 0,26 A
- RSHT012 1 x 230 V/50 Hz 0,55 A
- RSHT014 1 x 230 V/50 Hz 1,00 A
- RSHT016 1 x 230 V/50 Hz 1,90 A

Les caractéristiques de l'aspirateur et du moteur figurent sur la plaque signalétique de l'aspirateur.

Les aspirateurs de fumée **exodraft** ont un moteur à condensateur à vitesse variable. Le condensateur est situé dans le boîtier externe qui comprend également l'interrupteur de réparation.

La vitesse minimale doit être ajustée individuellement en fonction du type de commande, de la taille de l'aspirateur et de la cheminée



REMARQUE

S'il est nécessaire de remplacer un câble d'origine fourni avec le système, utiliser un câble similaire ayant la même température d'exploitation. Dans le cas contraire, l'isolement risque de fondre ou de se dégrader avec mise à nu du fil.

3.5.2 Câblage

Les câbles doivent être connectés conformément au schéma de câblage. Pour plus de renseignements concernant la connexion, prière de consulter les instructions relatives aux unités de commande **exodraft**.

Un éventuel paratonnerre relié à l'aspirateur doit respecter la législation en vigueur.

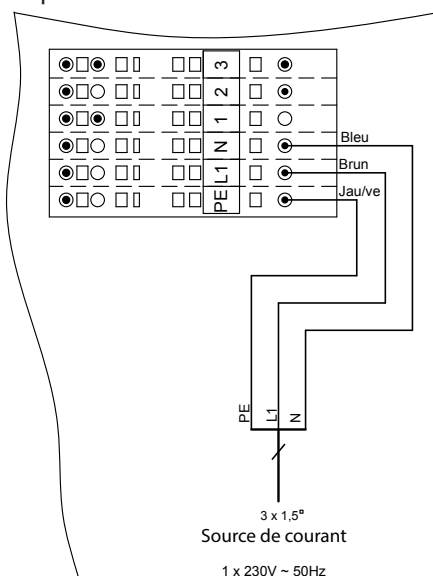
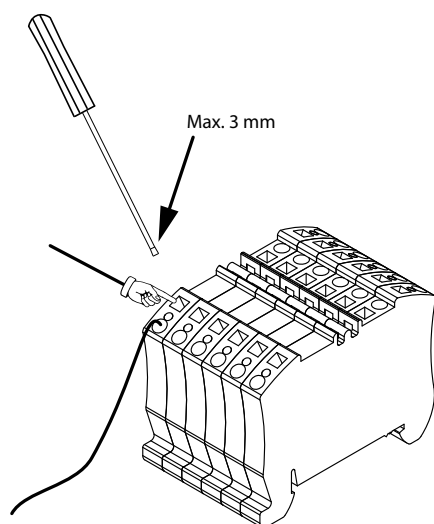
Câblage du condensateur et de l'interrupteur de réparation.

Tout le câblage est effectué avant la livraison à l'exception de l'alimentation électrique secteur ou de la commande **exodraft**

Pour la fixation des câbles aux bornes, utiliser un tournevis pour vis fendues, largeur max. 3 mm. Pousser droit et fort dans la fente marquée afin de libérer la borne. Le câble peut désormais être poussé pour entrer dans la borne et en relâchant à nouveau le tournevis, le câble est fixé.

Relier :

- L1 de l'alimentation à la borne L1
- N de l'alimentation à la borne N
- PE de l'alimentation à la borne PE



3.6 Démarrage et configuration

3.6.1 Test du système

Avant d'effectuer des réglages sur le système, suivre les procédures ci-après :
Mettre l'aspirateur de fumée sur ON et s'assurer qu'il fonctionne. Augmenter et diminuer la vitesse de l'aspirateur en réglant la commande de vitesse de l'aspirateur pour s'assurer qu'elle fonctionne correctement.

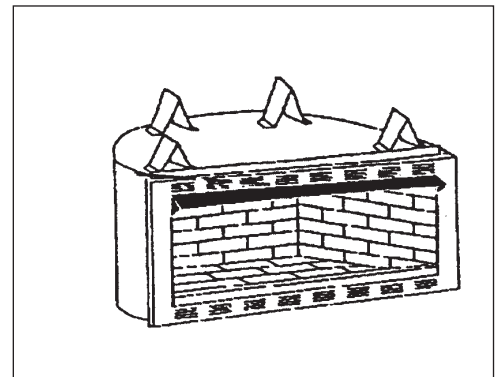


DANGER

Vérifier que les appareils de chauffage (chauffe-eau, fourneau, etc.) fonctionnent correctement pendant que l'aspirateur de fumée fonctionne. S'assurer de l'absence d'émission de gaz de fumée qui pourraient conduire à une intoxication au monoxyde de carbone.

3.6.2 Test de la cheminée ou du poêle

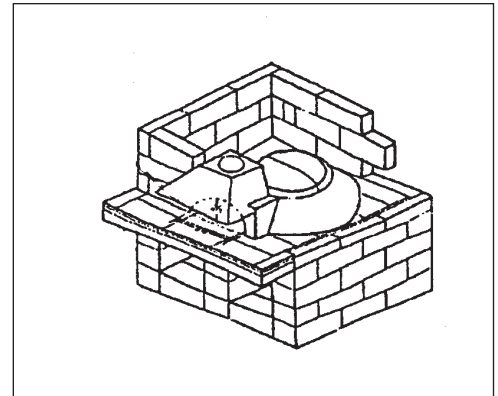
- Placer quelques bûches sur une grille ou sur le fond de la cheminée ou du poêle.
- Avant d'allumer le feu, régler l'aspirateur sur vitesse élevée/maximale (sur les poêles, ouvrir complètement l'arrivée d'air).
- Allumer le feu et s'assurer qu'il n'y a pas d'émission au niveau de l'ouverture de la cheminée.
- Lorsque le feu a pris, réduire la vitesse de l'aspirateur de fumée à un point où il aspire toujours les gaz de fumée en toute sécurité. Mémoriser ce réglage sur la commande de vitesse de l'aspirateur qui correspondra alors à la position de fonctionnement/ la vitesse de l'aspirateur de fumée.



3.6.3 Test du four à pizza

La plupart des fours à pizza consistent en un dôme avec une ouverture en façade pouvant être fermée avec une porte en fonte. Au-dessus de l'ouverture, une hotte reliée au conduit assure la collecte de la fumée et des odeurs et leur évacuation en toute sécurité (voir figure).

- Placer quelques bûches à l'arrière du dôme et régler l'aspirateur sur vitesse élevée/maximale. Allumer le feu. Allumer tous les autres ventilateurs aspirants (hottes d'aspiration, etc.) et s'assurer de l'absence d'émission de la hotte vers la pièce.
- Lorsque le feu a pris, réduire la vitesse de l'aspirateur de fumée à un point où il aspire toujours les gaz de fumée en toute sécurité. Marquer ce réglage sur le boîtier de la commande de vitesse de l'aspirateur qui correspondra alors à la position de fonctionnement/ la vitesse de l'aspirateur de fumée.



3.6.4 Utilisation de la cheminée et du poêle

- Avant d'allumer un feu, régler l'aspirateur sur vitesse élevée/maximale et démarrer le feu en suivant les instructions normales pour un feu dans une cheminée ou un poêle. Lorsque le feu a pris, après 3 à 5 minutes, réduire la vitesse de l'aspirateur de fumée à un niveau où il extrait les gaz de fumée en toute sécurité et maintient une combustion parfaite.
- En ajoutant du bois au feu, il peut être nécessaire d'augmenter la vitesse de l'aspirateur pour une courte durée. Suivre cette procédure permettra d'économiser l'énergie tout en assurant un rendement thermique maximal de l'appareil de chauffage.

3.6.5 Utilisation du four à pizza

- Avant d'allumer un feu, régler l'aspirateur sur vitesse élevée/maximale et démarrer le feu en suivant les instructions du fabricant ou, en l'absence de telles instructions, les instructions normales pour un feu dans une cheminée ou un poêle. Lorsque le feu a pris, après 3 à 5 minutes, réduire la vitesse de l'aspirateur de fumée à un niveau où il extrait les gaz de fumée en toute sécurité et maintient une combustion parfaite.
- En ajoutant du bois au feu, il peut être nécessaire d'augmenter la vitesse de l'aspirateur pour une courte durée.



ATTENTION

Ne pas surchauffer la cheminée, le poêle ou le four à pizza. De petits dépôts de crésote risquent d'être enflammés et entraîner un petit feu de cheminée qui pourrait avoir pour résultat que le conduit de cheminée atteigne une température dangereusement élevée

3.6.6 Utilisation de chaudières ou appareils à haute température

- Avant de démarrer une chaudière, un four ou un appareil industriel, l'aspirateur doit fonctionner à vitesse maximale. En fonction du système de commande, la vitesse peut être réglée sur une consigne plus faible. Toujours suivre les instructions du fabricant.

3.7 Maintenance et recherche des pannes

3.7.1 Entretien et nettoyage

L'aspirateur de fumée **exodraft** est conçu pour une utilisation prolongée. L'aspirateur doit être inspecté au minimum une fois par an en même temps que la cheminée. De la crésote et d'autres dépôts doivent être retirés des ailettes de l'aspirateur et du fond du carter du moteur.

Le dessus de l'aspirateur muni de charnières peut être ouvert pour faciliter le nettoyage.



AVERTISSEMENT

Ne pas ouvrir le carter du moteur avant d'avoir débranché le courant de l'aspirateur de fumée.

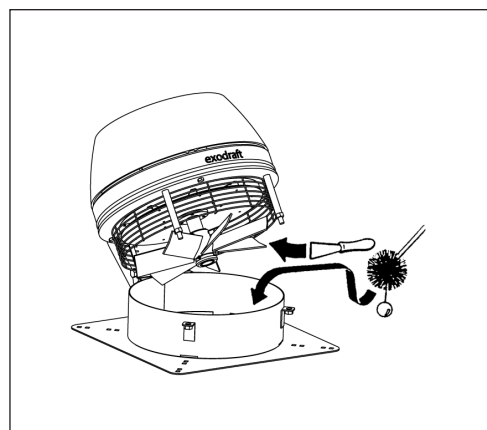
3.7.2 Intervalles de ramonage de la cheminée

Il est extrêmement important de maintenir le conduit de cheminée exempt de crésote et autres dépôts. La crésote est la principale cause de feux de cheminée.

Les intervalles de nettoyage dépendent de l'utilisation de l'appareil. Plus l'appareil est utilisé, plus souvent il est nécessaire de ramoner le conduit de cheminée.

Si une cheminée est utilisée régulièrement (2 à 3 fois par semaine), il peut être nécessaire de ramoner la cheminée deux fois par an. Si la cheminée est utilisée tous les jours, des intervalles plus courts peuvent être nécessaires. L'utilisation commerciale de fours à pizza à bois peut nécessiter le ramonage de la cheminée tous les 2 à 3 mois.

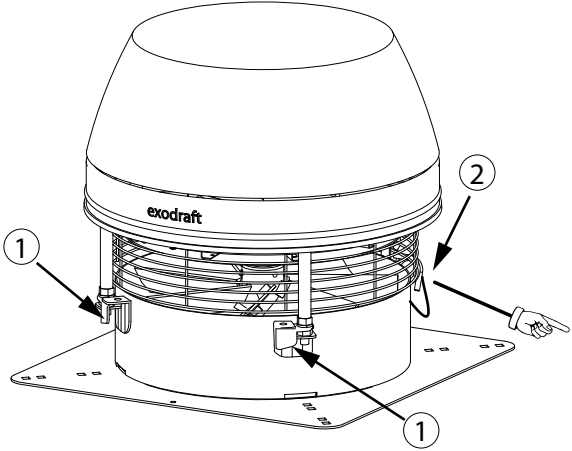
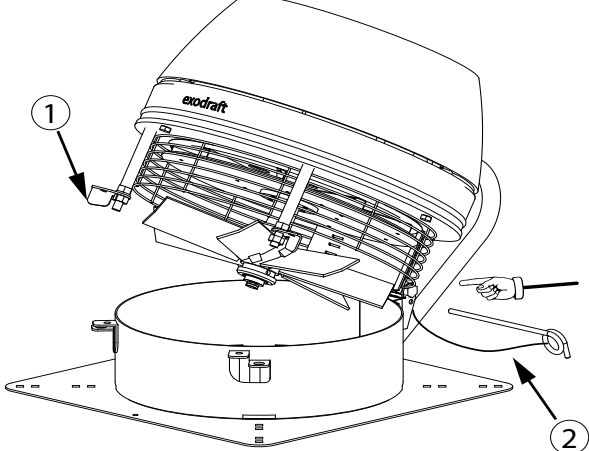
Indépendamment de la fréquence d'utilisation, un conduit de cheminée servant à un appareil chauffé au bois doit être ramoné et inspecté au minimum une fois par an.



NOTE

La cheminée doit être ramonée par un professionnel expérimenté.

3.7.3 Avant la maintenance

<p>Afin d'ouvrir le ventilateur:</p> <ul style="list-style-type: none"> Retirer l'écrou inférieur à la position 1 et tournez les poignées. Retirer la broche de verrouillage à l'arrière de l'aspirateur. L'écrou doit être repositionné lorsque l'aspirateur est de nouveau fermé. Peut être omis si les réglementations locales le permettent. 	<p>Afin de maintenir l'aspirateur en position ouverte, remettre en place la goupille de verrouillage (2) dans le support.</p>
	

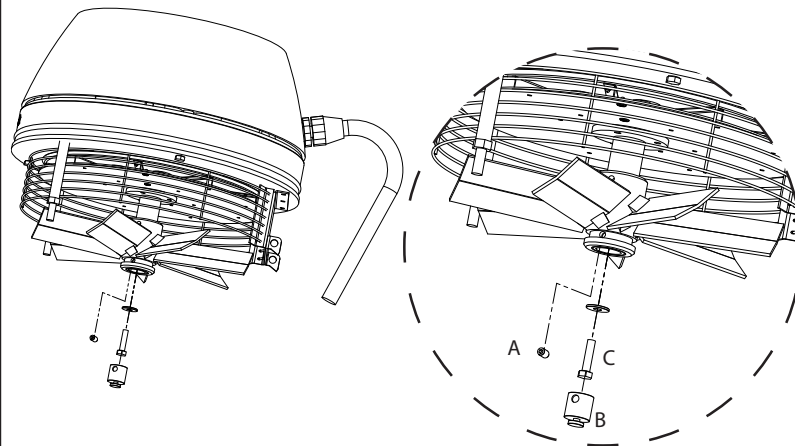
3.7.4 Recherche des pannes

Observation	Problème	Solution
L'aspirateur n'est pas sous tension	<ul style="list-style-type: none"> Le disjoncteur peut être sur arrêt La commande de vitesse de l'aspirateur est sur arrêt Mauvaises connexions électriques 	<ul style="list-style-type: none"> Vérifier le disjoncteur Allumer la commande de vitesse de l'aspirateur Vérifier et corriger le problème
L'aspirateur est sous tension mais ne fonctionne pas	<ul style="list-style-type: none"> Mauvaises connexions électriques Le réglage de la tension basse de la commande de vitesse de l'aspirateur est trop faible La commande de vitesse de l'aspirateur est défectueuse 	<ul style="list-style-type: none"> Vérifier et corriger les problèmes avec les connexions. Faire particulièrement attention au câblage dans la boîte de jonction Augmenter le réglage Remplacer la commande de vitesse de l'aspirateur
L'aspirateur est sous tension mais il ronfle et ne fonctionne pas	<ul style="list-style-type: none"> Le condensateur du moteur peut être défectueux. De la créosote peut adhérer 	<ul style="list-style-type: none"> Vérifier le condensateur et le remplacer en cas de besoin Nettoyer l'aspirateur
L'aspirateur semble bien fonctionner mais le tirage n'est pas suffisant	<ul style="list-style-type: none"> L'aspirateur peut être sous-dimensionné 	<ul style="list-style-type: none"> Remplacer par un aspirateur plus grand
L'aspirateur vibre	<ul style="list-style-type: none"> L'arbre du moteur peut être voilé 	<ul style="list-style-type: none"> Remplacer le moteur
Il y a un bruit de courant d'air provenant de l'ouverture de cheminée	<ul style="list-style-type: none"> Le conduit est sous-dimensionné. L'aspirateur est surdimensionné et fonctionne trop rapidement 	<ul style="list-style-type: none"> Il n'y a pas grand chose à faire pour y remédier. Essayer de réduire l'ouverture de cheminée Réduire la vitesse de l'aspirateur
Bruit mécanique audible	<ul style="list-style-type: none"> Des corps étrangers peuvent être coincés Les paliers du moteur peuvent être usés 	<ul style="list-style-type: none"> Retirer les corps étrangers Remplacer les paliers

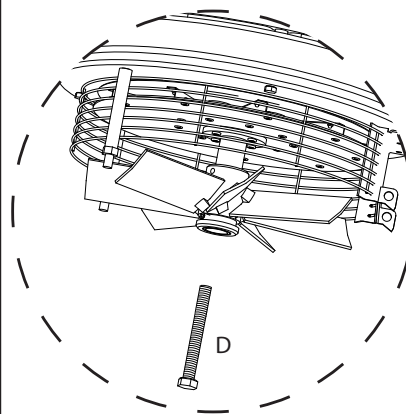
3.7.5 Remplacement de la roue et du moteur

Remplacement de la roue

- A. Desserrer la vis hexagonale encastrée
- B. Retirer le bouchon des ailettes
- C. Dévisser et retirer le boulon M6 situé à l'extrémité de l'axe des ailettes

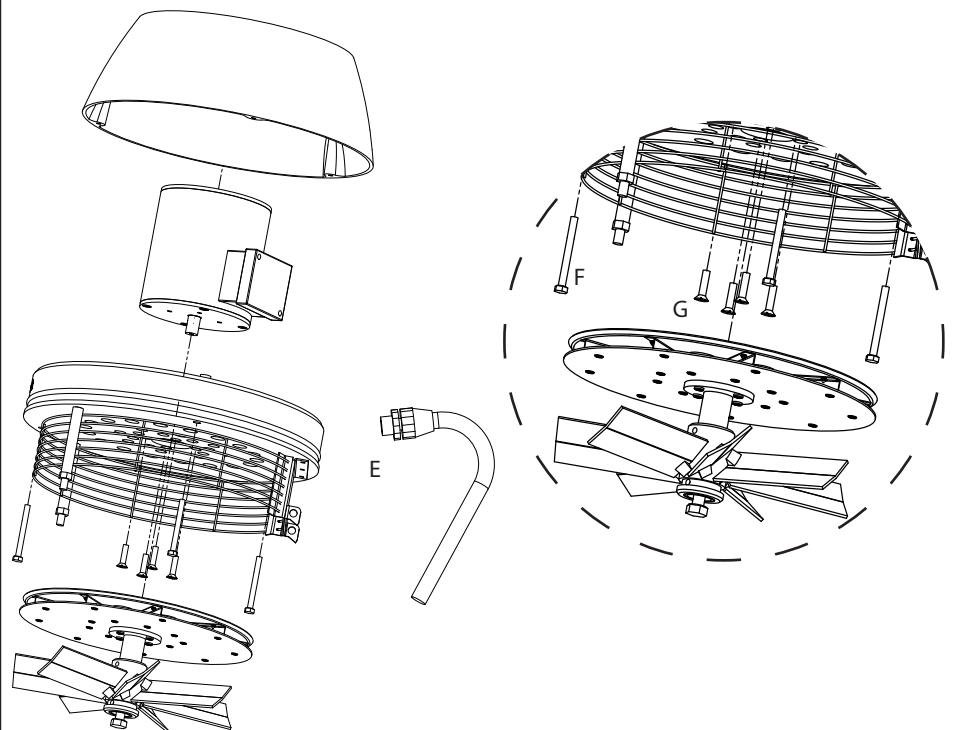


- D. Utiliser un boulon M10 longueur min. 140 mm. Longueur de filetage minimum 40 mm. Empêcher la roue de tourner. Au fur et à mesure que le bouton est vissé, la roue est retirée de l'axe moteur.



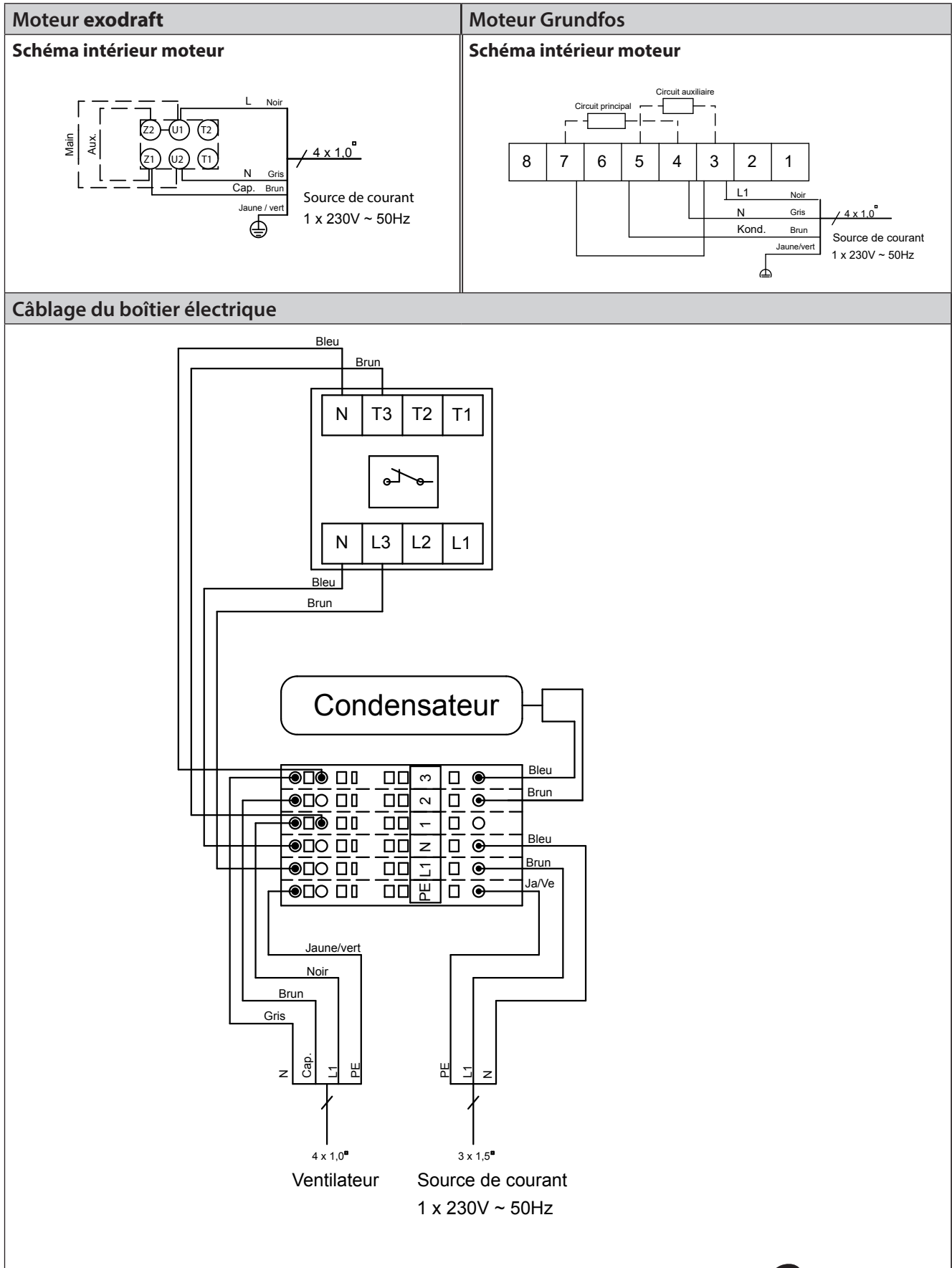
Remplacement du moteur

- E. Desserrer la presse-étoupe de câble
- F. Retirer les trois vis qui fixent la partie supérieure
- G. Retirer les trois vis qui fixent le moteur



3.7.6 Schémas de câblage intérieur

Tout le câblage est effectué avant la livraison à l'exception de l'alimentation électrique secteur ou de la commande **exodraft**



4. Productinformatie NL

Hoe deze handleiding te gebruiken

Deze installatiehandleiding bevat geen systeemontwerpdokumentatie.

Accessoires worden niet behandeld door deze handleiding. Raadpleeg de afzonderlijke handleidingen van deze onderdelen.

4.1 Functie

Gebruik De **exodraft** RSHT-schoorsteenventilator is een bovenop de schoorsteen gemonteerde ventilator die ontworpen is voor de afvoer van grote volumes rookgassen en die bestand is tegen hoge temperaturen. Hij is bedoeld voor gebruik met vaste brandstoffen maar kan ook gebruikt worden voor andere brandstoffen. Het gebruik van de RSHT-schoorsteenventilator is niet beperkt tot een bepaald type schoorsteen omdat de ventilator onderdruk (lagere druk dan de atmosferische druk) creëert in de schoorsteen. Typische gebuiken in woongebieden zijn: Het regelen van de trek voor een met vaste brandstof gestookte boiler, haard, kachel, BBQ of pizzaoven. In de industrie zijn typische toepassingen bakkerijen of de processing industrie. De **exodraft** RSHT-schoorsteenventilator wordt geleverd met lokalisatiebeugels, gewapende bekabeling, een aansluitdoos met een werkschakelaar voor reparaties en onderhoud, veiligheidsbekabeling en een minerale wollen mat voor een trillingsvrije montage.

Functie De RSHT-schoorsteenventilator is ontworpen om bestand te zijn tegen de hoge temperaturen zoals die voorkomen bij houtverbranding, verhitting van industriële boilers, of bij toestellen zoals ovens. De constructie met axiaal schoepenrad zorgt voor een zelfreinigend effect. Dit product is ontworpen om problemen met de trek te voorkomen door een mechanische trek te creëren in rookafvoersystemen en hierbij ook de capaciteit en efficiëntie van een schoorsteensysteem te verhogen. Hoewel de schoorsteenventilator niet beperkt is tot dergelijk gebruik, is hij perfect voor gebruik met haarden, barbecues, pizzaovens en houtkachels. Slechte stookgewoontes kunnen leiden tot problemen met roet, schoorsteenbranden enz. die de schoorsteenventilator kunnen beschadigen.
De bedrijfscondensator wordt beschouwd als een slijtgedeelte en zal, afhankelijk van het gebruik, vervangen moeten worden.

Waarschuwing **Alle installaties moeten uitgevoerd worden door deskundig personeel en in overeenstemming met de nationale wetten en reglementeringen.**

Vermijd schoorsteenbranden - zorg ervoor dat de schoorsteen werd gereinigd alvorens de ventilator te monteren.

De schoorsteenventilator moet altijd in werking zijn wanneer de haard gebruikt wordt. Lees steeds de installatie-instructies van de exodraft-bedieningseenheid alvorens de schoorsteenventilator te installeren.

Wanneer het exodraft-ventilatorsysteem ontworpen werd voor installaties met vaste brandstof / gemengde brandstof, zorg er dan voor dat het ontwerp beantwoordt aan de vereisten van EN15287-1. Wanneer dit niet mogelijk is moet er een rookalarm geïnstalleerd worden in dezelfde kamer als waarin het toestel zich bevindt.

exodraft raadt altijd aan om een rookalarm te gebruiken wanneer er een stookplek voor vaste brandstof met open vuur wordt geïnstalleerd.



Ventilatoren die dienst doen bij biomassaketels krijgen onvermijdelijk te maken met afzettingen van het toestel. In het bijzonder bij biomassaketels is het essentieel dat er een regelmatige inspectie en reiniging wordt doorgevoerd, zeker in de eerste dagen van gebruik, zodat een schema opgesteld kan worden voor regelmatige inspectie en reiniging.

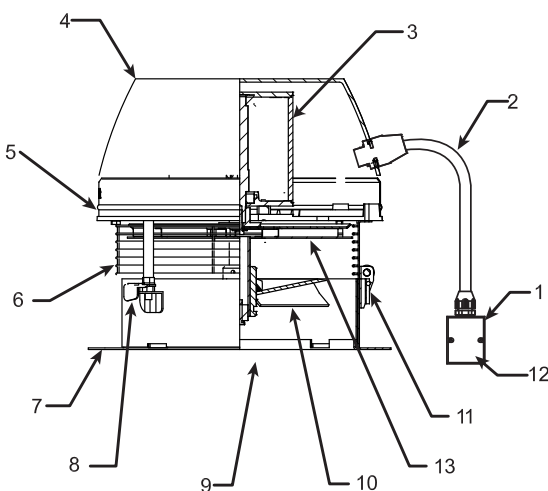
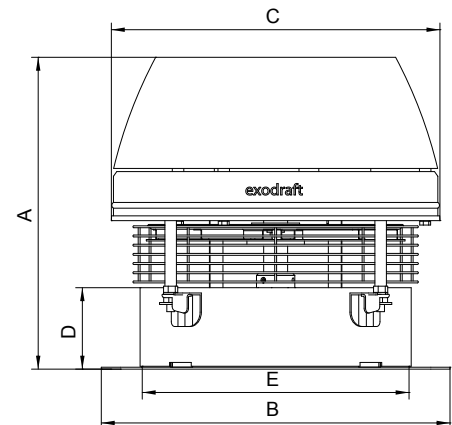
4.2 Garantie

exodraft-producten worden verkocht met een garantie van twee (2) jaar vanaf de factuurdatum. **exodraft** beslist over de vervanging of herstelling van de ventilator, gesteld dat een fabrieksinspectie een gebrek in materiaal of vakmanschap aantoonst.

4.3 Technische specificaties

4.3.1 Afmetingen en capaciteiten

Model		RSHT009	RSHT012	RSHT014	RSHT016
Uitstoot		Horizontaal			
Ventilatortype		Axiaal schoepenrad			
Motortype		Volledig gesloten, variabele snelheid, klasse F			
Voltage	V AC	1x230			
TPM		1360	1350	1350	1350
Amperage	Amps	0.26	0.55	1.00	1.90
Ventilatorverbruik	kW	0.06	0.09	0.19	0.31
Gewicht	kg	11.6	15.2	19.0	21.4
Afmetingen	A mm	298	325	372	400
	B x B mm	296	364	422	478
	C mm	275	344	395	441
	D mm	75	85	100	100
	E mm	220	280	330	380
Temperatuur-specificatie	Periodiek	720 °C (ventilator in werking)			
	Continue	500 °C (ventilator in werking)			
	Bij uitgeschakelde ventilator	Max. 250 °C (ventilator niet actief)			



- 1 Aansluitdoos met condensator en werkschakelaar voor onderhoud
- 2 Buis/kabel
- 3 Motor
- 4 Motorbehuizing
- 5 Motorplaat
- 6 Vogelscherm
- 7 Basisplaat
- 8 Borgmoer
- 9 inlaat / aanzuig
- 10 Axiaal schoepenrad
- 11 Scharnier
- 12 Condensator (binnenin doos)
- 13 Koelwaaier

4.3.2 Planning vooraf



1. Zorg voor geschikte verbrandingsluchtcondities.
2. Zorg voor een stevige ondersteuning voor de schoorsteenventilator.
3. Bepaal om welk type systeem het gaat.
4. Zorg ervoor dat er geschikte veiligheidsmaatregelen genomen worden om het veilige gebruik van de houtverbrandingstoestellen te verzekeren.

Vereisten voor de verbrandingslucht

De voorzieningen voor de verbrandingslucht moeten in overeenstemming zijn met de van toepassing zijnde lokale wetgeving.

Er moet voldoende frisse lucht aangevoerd worden voor de verbranding, zo niet is een gebrekkige werking mogelijk en worden dodelijke rookgassen mogelijk onvoldoende afgevoerd.

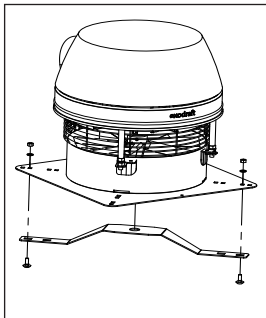
- Ondersteuning** Voorafgaand aan de installatie van de schoorsteenventilator moet worden verzekerd dat de schoorsteen het gewicht van de schoorsteenventilator goed kan dragen. Een stalen schoorsteen moet goed ondersteund worden op het punt van de dakdoorvoer. Wanneer de schoorsteen hoog boven het dak uitsteekt, moeten de schoorsteen en de ventilator beveiligd worden met kabels die op 2 of 3 punten aan de schoorsteen en het dak bevestigd zijn. (Volg de instructie van de fabrikant op.) Stenen schoorstenen vereisen normaal geen ondersteuning om het gewicht van de schoorsteenventilator te dragen.
- Systeemtype** Haarden en houtkachels gebruikt in woningen werken normaal in een relatief stabiele omgeving waar geen grote drukschommelingen voorkomen. Snelheidsaanpassingen en regeling van de luchtinlaten zijn echter vereist naarmate het hout brandt en er nieuw hout op het vuur wordt gegoid. Haarden in restaurants worden blootgesteld aan grote drukschommelingen. Deuren worden geopend en gesloten, de afzuigkappen van de keuken trekken lucht weg enz. Rookgassen kunnen hierbij gemakkelijk ontsnappen.
- Houtgestookte pizzaovens en barbecues worden normaal geïnstalleerd in restaurantkeukens waar afzuigkappen werkzaam zijn. Bijgevolg moet de operator aandacht besteden aan het feit dat het zelfs met een goed gebalanceerd systeem nodig is om de ventilatorsnelheid te regelen om het ontsnappen van rookgassen te voorkomen.
- Wanneer gebruikt in combinatie met boilers en andere verwarmingstoestellen wordt de RSHT-schoorsteenventilator vaak geleverd met een constantedrukregelaar die de optimale trek voor het toestel verzekert.

4.4 Mechanische installatie

4.4.1 Transportbeveiliging

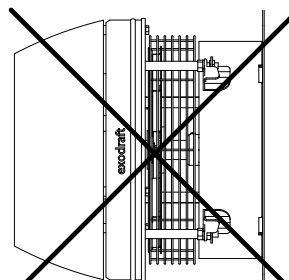
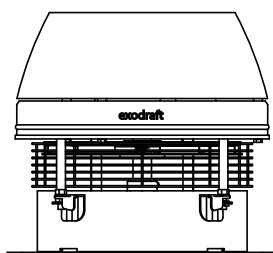


Verwijder de transportbeveiliging van het schoepenrad en zorg ervoor dat het schoepenrad vrij kan ronddraaien.



4.4.2 Positionering

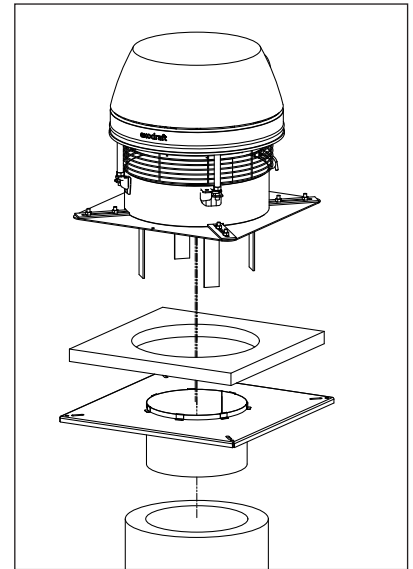
Monteer de ventilator altijd in verticale positie. **MONTEER DE VENTILATOR NIET HORIZONTAAL**



4.4.3 Enkele ventilator op stalen schoorsteen

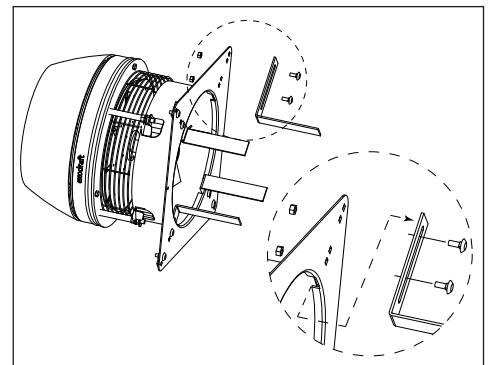
Stap 1: De locatie voor de ventilator voorbereiden

- Wanneer er al een schoorsteenkap geïnstalleerd is, moet deze verwijderd worden. De stalen schoorsteenadapter FR-xxx (accessoires) schuift rechtstreeks in de schoorsteen, waarbij het contact van de lange kraag voor een veilige verankering zorgt.
De trillingsdempers meegeleverd met de schoorsteenadapter moeten niet gebruikt worden voor een RSHT-schoorsteenventilator.
- Meet de binnendiameter van de schoorsteenpijp en snij een overeenkomstig gat in het midden van de mat minerale wol. Wanneer de schoorsteen zo groot is dat de keel van de adapter gereduceerd is om te passen op de keel van de ventilator, dan moet het gat in de mat minerale wol overeenkomen met de keelopening.



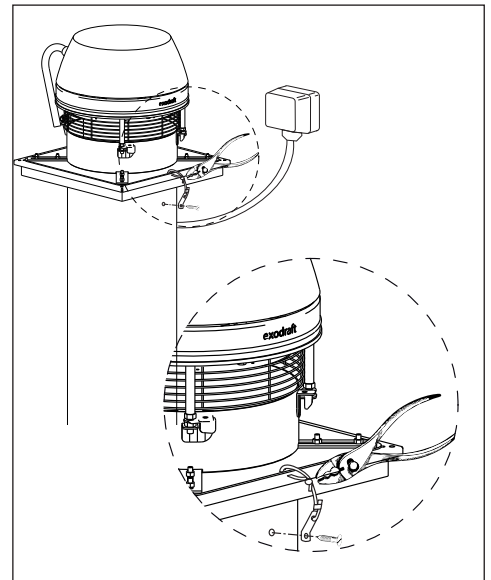
Stap 2: De exodraft-ventilator voorbereiden

- Steek de installatiebeugels door de sleufgaten in het basisstuk van de ventilator, en gebruik de meegeleverde bouten en moeren om de beugels te bevestigen. Wanneer de diameter van de schoorsteenpijp groter is dan de inlaat van de schoorsteenventilator kunnen de beugels onder het basisstuk gemonteerd worden. Merk op dat de bouten geïnstalleerd moeten worden vanaf de onderkant.
- Pas de eindpositie van de installatiebeugels aan, ervoor zorgend dat er een kleine speling is tussen de beugels en de wand van de schoorsteenpijp / de keel van de adapter. Ongeveer 5-10 mm.
- Zet de moeren vast. Wanneer de beugels de wand van de schoorsteenpijp raken, kan dit enig trillingslawaai veroorzaken.



Stap 3: De ventilator bevestigen

- schoorsteenventilator is nu klaar om bovenop de schoorsteen geïnstalleerd te worden.
- Plaats de steenwollen mat op de bovenkant van de adapter, en plaats de ventilator boven op de mat.
- Bevestig de veiligheidskabel aan de schoorsteen. Gebruik de meegeleverde zelftappende schroef om door de stalen schoorsteen te schroeven. Monteer dan de kabel door het gat in de basisplaat en in het kabelslot.
- Span de veiligheidskabel lichtjes aan en bevestig het kabelslot zodat de schoorsteenventilator geborgd is wanneer hij geopend wordt voor onderhouds- en reinigingsdoeleinden.



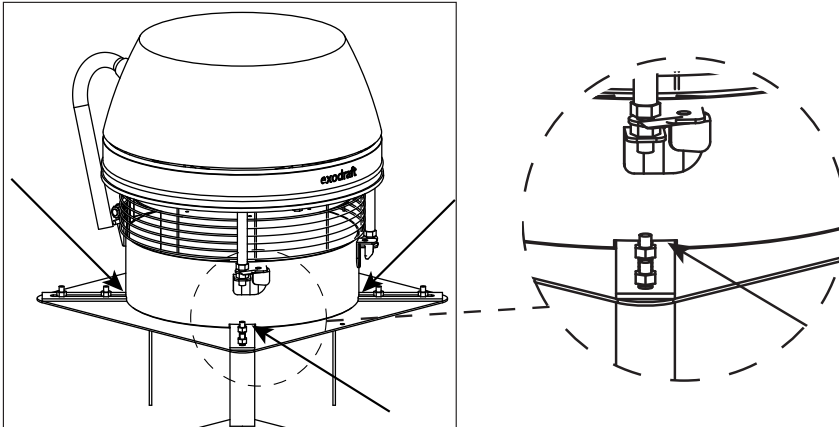
OPMERKING

De meegeleverde stalen kabel moet altijd aan de schoorsteen bevestigd worden.

De versterkte kabel moet recht naar beneden vanaf de ventilator hangen. Bij het sluiten van de ventilator, ondersteunen het bovenste deel met de hand.

Stap 4: De sleufgaten afdichten

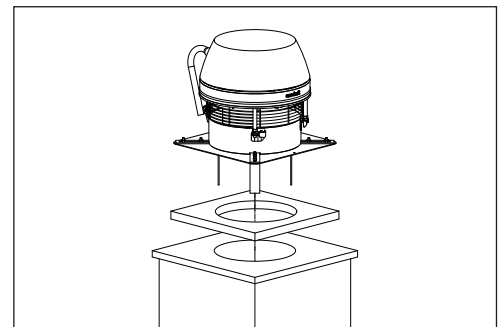
Om te voorkomen dat er regenwater in de schoorsteen terecht komt, moeten de 4 sleufgaten afgedicht worden met silicone.



4.4.4 Enkele ventilator op stenen schoorsteen

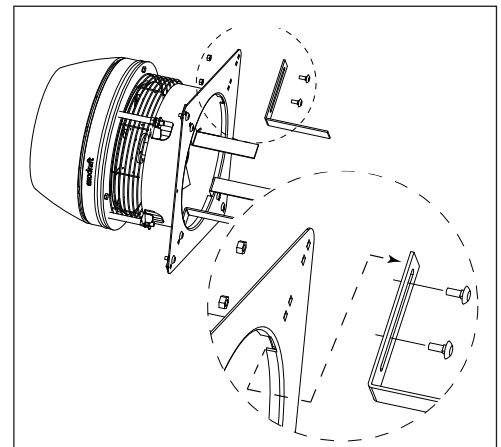
Stap 1: De locatie voor de ventilator voorbereiden

- De installatieprocedure is dezelfde, ongeacht of de schoorsteenpijp rond is of vierkant. Als er een vuurvaste binnenmantel in de schoorsteen geïnstalleerd is, steekt deze mogelijk een aantal centimeter uit. Slijp deze door zodat hij gelijk komt met de kroon van de schoorsteen, of er niet meer dan 10 mm voorbij steekt.
- Meet de binnendiameter van de schoorsteenpijp, snij een overeenkomstig gat in de mat minerale wol en bewaar hierbij een minimumafstand van 20 mm tot de zijkant van de mat.



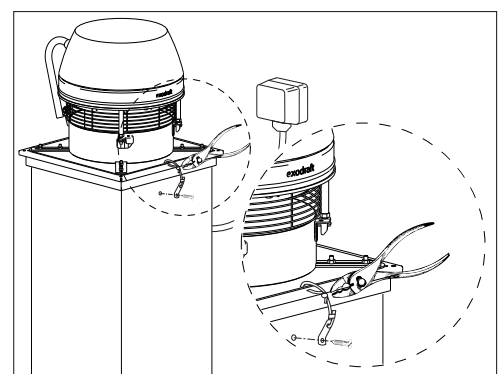
Stap 2: De ventilator voorbereiden

- Steek de installatiebeugels door de sleufgaten in het basisstuk van de ventilator, en gebruik de meegeleverde bouten en moeren om de beugels te bevestigen. Wanneer de diameter van de schoorsteenpijp groter is dan de inlaat van de schoorsteenventilator kunnen de beugels onder het basisstuk gemonteerd worden. Merk op dat de bouten geïnstalleerd moeten worden vanaf de onderkant.
- Pas de eindpositie van de beugels aan, ervoor zorgend dat er een speling is tussen de beugels en de wand van de schoorsteenpijp. Ongeveer 5-10 mm. Wanneer de beugels de wand raken, kan dit enig trillingslawaai veroorzaken.



Stap 3: De ventilator bevestigen

- De rookgasventilator is nu klaar voor installatie op de top van de schoorsteen. Plaats de steenwollen mat boven op de schoorsteen, en zet de ventilator boven op de mat.
- Bevestig de veiligheidskabel aan de schoorsteen. Gebruik de meegeleverde schroef en nylon plug voor de bevestiging aan de schoorsteen. Monteer dan de kabel door het gat in de basisplaat en in het kabelslot.
- Span de veiligheidskabel lichtjes aan en bevestig het kabelslot zodat de schoorsteenventilator geborgd is wanneer hij geopend wordt voor onderhouds- en reinigingsdoeleinden.



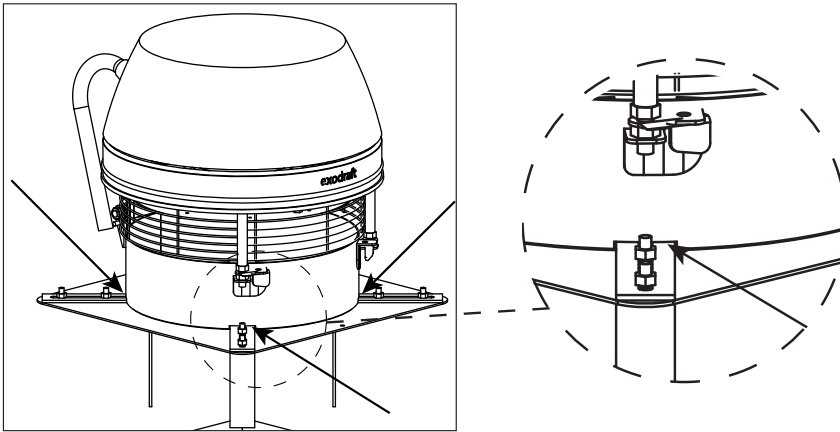
OPMERKING

De meegeleverde stalen kabel moet altijd aan de schoorsteen bevestigd worden.

De versterkte kabel moet recht naar beneden vanaf de ventilator hangen. Bij het sluiten van de ventilator, ondersteunen het bovenste deel met de hand.

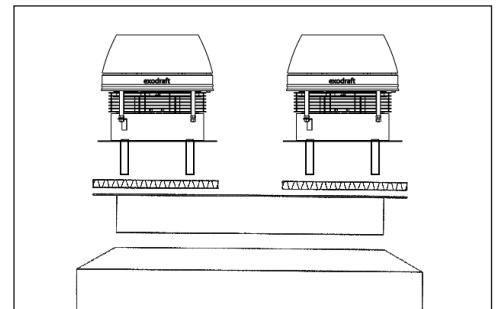
Stap 4: De sleufgaten afdichten

- Om te voorkomen dat er regenwater in de schoorsteen terecht komt, moeten de 4 sleufgaten afgedicht worden met silicone.



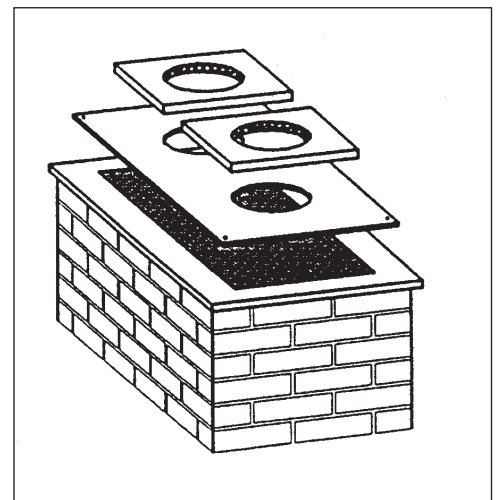
4.4.5 Meerdere ventilatoren op stalen schoorsteen

- Wanneer er twee of meer schoorsteenventilatoren nodig zijn om voldoende trek te creëren zijn de installatieprocedures hetzelfde als voor de installatie van een enkele ventilator op een stalen schoorsteen. Het enige verschil is dat de ventilatoren bovenop de schoorsteen naast elkaar staan. Hiervoor is een speciale distributiebuis nodig. (geen **exodraft**-onderdeel).
- Wanneer meerdere ventilatoren geïnstalleerd worden, is het bijzonder belangrijk dat de ventilatoren van hetzelfde model en dezelfde grootte zijn, en dat ze in tandem geregeld worden door één (1) motorsnelheidsregelaar.



4.4.6 Meerdere ventilatoren op stenen schoorsteen – overgedimensioneerde schoorsteenpijp

- Wanneer er twee of meer ventilatoren vereist zijn om voldoende trek te creëren, is er een speciale adapterplaat nodig. (geen **exodraft**-onderdeel). De twee gaten in de plaat moeten overeenkomen met de keeldiameter van het gebruikte ventilatormodel, en de hartafstand moet ten minste gelijk zijn aan ventilatorbreedte (afmeting „B” in 4.3.1 Afmetingen en capaciteiten).
- De adapter moet afgedicht worden met silicone en bovenop de schoorsteen geschroefd worden. Wanneer meerdere ventilatoren geïnstalleerd worden, is het bijzonder belangrijk dat de ventilatoren van hetzelfde model en dezelfde grootte zijn, en dat ze in tandem geregeld worden door één (1) motorsnelheidsregelaar.
- Eenzelfde aanpak is nodig wanneer de grootte van de schoorsteenpijp de afmetingen van de ventilatorbasis overschrijdt. De adapterplaat moet op maat gemaakt worden zodat ze de schoorsteenpijp afdekt, en dan bevestigd worden. Er moet een gat gemaakt worden in het midden van de plaat en de ventilator moet dan gecentreerd boven het gat gemonteerd worden.



4.5 Elektrische installatie

4.5.1 Algemeen



GEVAAR

Schakel de elektrische stroom uit vooraleer onderhoud uit te voeren.

Contact met onder stroom staande elektrische onderdelen kan een schok of de dood veroorzaken.

Alle elektrische bedrading moet in overeenstemming zijn met de vereisten van de wettelijk bevoegde autoriteiten.

De stroomvereisten voor het systeem hangen af van de ventilatorgrootte. De elektrische vereisten zijn:

RSHT009	1 x 230 V/50 Hz 0,26 amp.
RSHT012	1 x 230 V/50 Hz 0,55 amp.
RSHT014	1 x 230 V/50 Hz 1,00 amp.
RSHT016	1 x 230 V/50 Hz 1,90 amp.

De ventilator- en motorspecificaties zijn voorzien op het typeplaatje van de ventilator.

De **exodraft**-schoorsteenventilatoren hebben een condensatormotor (split capacitor motor) met variabele snelheid. De condensator bevindt zich in de externe doos, die ook de werkschakelaar voor onderhoud en reparatie bevat.

De minimale snelheid moet afzonderlijk aangepast worden, afhankelijk van type regeling, ventilatorgrootte en schoorsteen.



Opmerking

Wanneer een van de origineel bij het systeem meegeleverde kabels vervangen moet worden, gebruik dan gelijkaardige kabel met dezelfde temperatuurspecificatie. Anders kan de isolatie mogelijk smelten of verslijten, zo geleiderdraad blootstellend.

4.5.2 Bedrading

De kabels moeten aangesloten worden zoals aangegeven in het aansluitschema. Raadpleeg de richtlijnen voor **exodraft**-regelaars voor meer informatie over het aansluiten van een regelaar.

Elke bliksemafleider aangesloten op de ventilator moet voldoen aan de huidig geldende wetgeving.

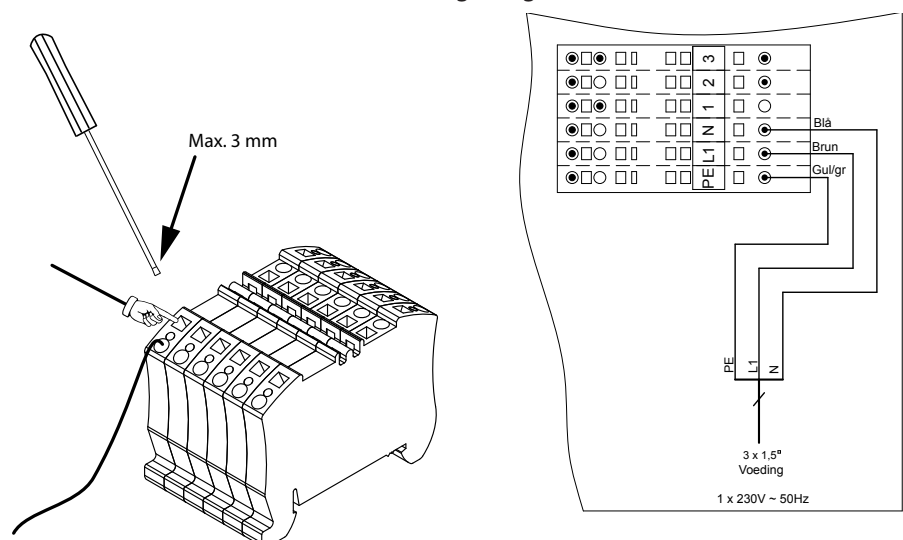
Bedrading in de aansluitdoos met de condensator en de scheidingschakelaar voor herstellingen.

Alle bedrading is al uitgevoerd bij de levering, behalve de voeding van het elektriciteitsnet en de **exodraft**-regelaar.

Gebruik een platte schroevendraaier van max. 3 mm breed voor het bevestigen van de kabels in de aansluitklemmen. Druk er stevig en recht omlaag mee in de gemarkeerde gleuf om de aansluitklem te lossen. De kabel kan nu in de aansluitklem geduwd worden, door de schroevendraaier los te laten wordt de kabel geborgd.

Aansluiten:

L1 van voeding naar aansluitklem L1
N van voeding naar aansluitklem N
PE van voeding naar aansluitklem PE



4.6 Opstarten en configureren

4.6.1 Testen van het systeem

Volg deze procedures alvorens enige aanpassingen aan het systeem door te voeren:

Schakel de schoorsteenventilator IN en zorg dat hij werkt. Verhoog en verlaag de snelheid van de ventilator door de snelheidsregelaar van de ventilator aan te passen om te controleren of hij correct werkt.

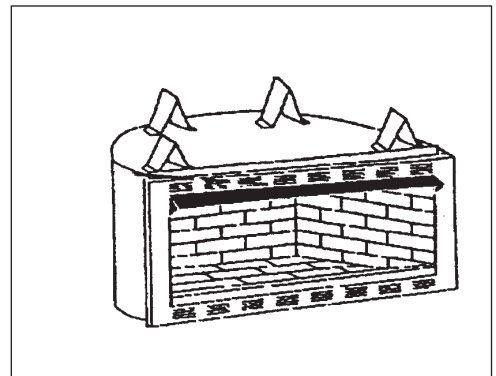


Gevaar

Controleer of de verwarmingstoestellen (boiler, oven enz.) correct werken terwijl de schoorsteenventilator in werking is. Zorg ervoor dat er geen rookgassen ontsnappen omdat dit tot koolmonoxidevergiftiging kan leiden.

4.6.2 Testen van een haard of kachel

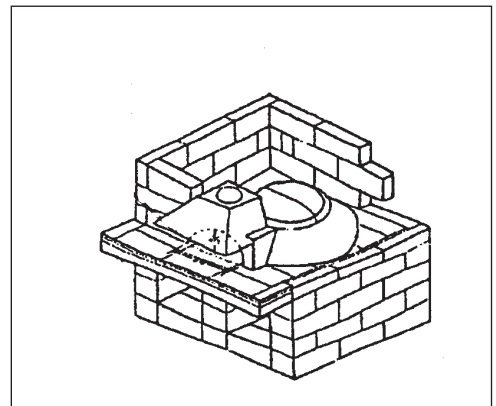
- Leg een paar blokken hout op het rooster of de vloer van de haard of kachel.
- Stel de ventilator in op hoge/volle snelheid vooraleer het vuur aan te steken (zet de luchtinlaat bij kachels volledig open).
- Steek het vuur aan en zorg ervoor dat er geen rookgassen ontsnappen uit de opening van de haard.
- Wanneer het vuur goed brandt, verlaag dan de snelheid van de schoorsteenventilator tot een punt waarbij de rookgassen nog steeds goed worden afgevoerd. Onthoud deze instelling op de ventilatorsnelheidsregelaar omdat dit de werkstand/-snelheid is van de schoorsteenventilator.



4.6.3 Testen van een pizzaoven

De meeste pizzaovens bestaan uit een koepel met een opening vooraan die afgesloten kan worden met een gietijzeren deur. Boven de opening zorgt een kap aangesloten op de schoorsteenpijp ervoor dat rook en geuren worden opgevangen en veilig worden verwijderd (zie afbeelding).

- Leg een paar blokken hout achterin de koepel en stel de ventilator in op hoge/volle snelheid. Steek het vuur aan. Zet alle andere afzuigventilatoren aan (wasemkappen enz.) en zorg ervoor dat er geen rookgassen uit de kap ontsnappen naar de ruimte.
- Wanneer het vuur goed brandt, verlaag dan de snelheid van de schoorsteenventilator tot een punt waarbij de rookgassen nog steeds goed worden afgevoerd. Duidt deze instelling aan op de behuizing van de ventilatorsnelheidsregelaar omdat dit de werkstand/-snelheid is van de schoorsteenventilator.



4.6.4 Werken met een haard of kachel

- Stel de ventilator, alvorens een vuur te maken, in op hoge/volle snelheid en maak het vuur aan volgens de normale instructies onder een vuur maken in een haard of kachel. Verlaag dan, zodra het vuur goed brandt, na 3-5 minuten, de snelheid van de schoorsteenventilator tot een niveau waarbij de ventilator de rookgassen nog steeds veilig afvoert en een perfecte vlam behouden blijft.
- Wanneer er hout bij op het vuur wordt gegooid, kan het nodig zijn om de ventilatorsnelheid een korte tijd te verhogen. Het opvolgen van deze procedure zal energie helpen besparen en tegelijkertijd een maximale warmteproductie van het verwarmingstoestel garanderen.

4.6.5 Werken met een pizzaoven

- Stel de ventilator, vooraleer een vuur te maken, in op hoge/volle snelheid en maak het vuur aan volgens de instructies van de fabrikant van de oven, of bij afwezigheid ervan, volgens de normale instructies onder een vuur maken in een haard of kachel. Verlaag dan, zodra het vuur goed brandt, na 3-5 minuten, de snelheid van de schoorsteenventilator tot een niveau waarbij de ventilator de rookgassen nog steeds veilig afvoert en een perfecte vlam behouden blijft.
- Wanneer er hout bij op het vuur wordt gegooid, kan het nodig zijn om de ventilatorsnelheid een korte tijd te verhogen.



VOORZICHTIG

Stook niet te hard in de haard, kachel of pizzaoven. Kleine afzettingen van creosoot kunnen ontvlammen en een schoorsteenbrand veroorzaken, waarbij de schoorsteenpijp een gevaarlijk hoge temperatuur kan bereiken.

4.6.6 Werken met boilers of hogetemperatuurtoestellen

- Vooraleer een boiler, oven of procesapparaat op te starten moet de ventilator op volle snelheid draaien. Afhankelijk van het regelsysteem kan de snelheid naar een lager instelpunt geregeld worden. Volg altijd de instructies van de fabrikant.

4.7 Onderhoud en troubleshooting

4.7.1 Onderhoud en reiniging

De **exodraft**-schoorsteenventilator is ontworpen voor langdurig gebruik. De ventilator moet ten minste een keer per jaar geïnspecteerd worden wanneer de schoorsteen geïnspecteerd wordt. Creosoot en andere afzettingen moeten verwijderd worden van de ventilatorschoepen en van de onderkant van de motorbehuizing.

De bovenkant van de ventilator is scharnierend uitgevoerd en kan geopend worden om het reinigen te vergemakkelijken.



GEVAAR

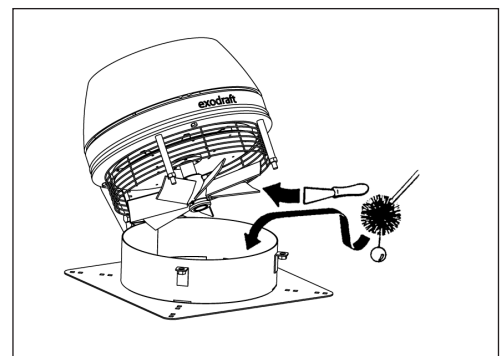
Open de motorbehuizing niet tenzij de voeding naar de schoorsteenventilator onderbroken is.

4.7.2 Schoorsteenreinigingsintervallen

Het is bijzonder belangrijk de schoorsteenpijp vrij te houden van creosoot en afzettingen. Creosoot is de hoofdoorzaak voor schoorsteenbranden. De reinigingsintervallen hangen af van het gebruik van het toestel. Hoe vaker het toestel gebruikt wordt, hoe vaker de schoorsteenpijp gereinigd moet worden.

Wanneer een haard regelmatig gebruikt wordt (2-3 keer per week), kan een halfjaarlijkse schoorsteenreiniging nodig zijn. Wanneer een haard elke dag gebruikt wordt, kunnen kortere intervallen nodig zijn. Bij commercieel gebruik van houtgestookte pizzaovens kunnen schoorsteenreinigingen om de 2-3 maanden vereist zijn.

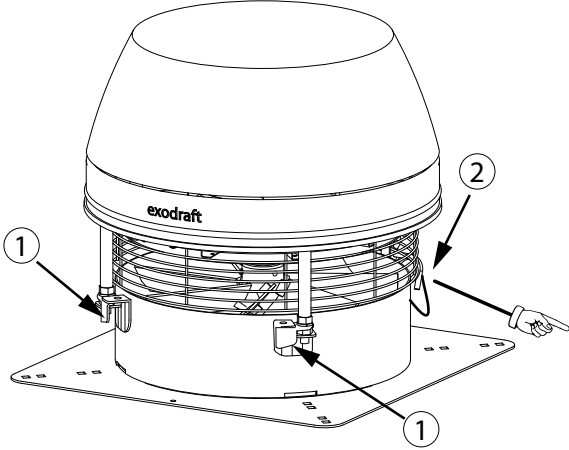
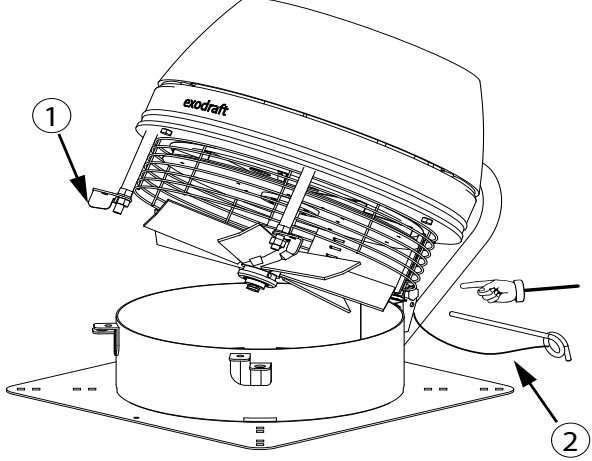
Ongeacht de gebruiksintensiteit moet een schoorsteenpijp die dienst doet voor houtgestookte toestellen ten minste één keer per jaar gereinigd en geïnspecteerd worden.



OPMERKING

De schoorsteen moet gereinigd worden door een opgeleide professional.

4.7.3 Voorafgaand aan onderhoud

<p>De ventilator openen: Verwijder de onderste moer op positie 1 en draai de hendels. Haal de borgpen uit de achterkant van de ventilator. Bevestig de moer weer voordat u de ventilator sluit. Kan achterwege worden gelaten als plaatselijk geldende wetgeving dit toelaat.</p>	<p>Steek de vergrendelpen (2) terug in de beugel om de ventilator in open positie te borgen.</p>
	

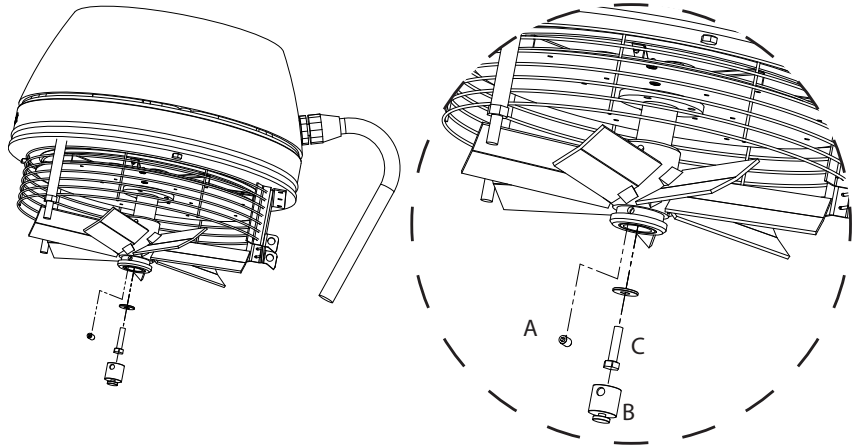
4.7.4 Troubleshooting

Observatie	Probleem	Oplossing
De ventilator krijgt geen stroom	<ul style="list-style-type: none"> - De stroomonderbreker staat mogelijk uit - De ventilatorsnelheidsregelaar staat uit - Slechte elektrische aansluitingen 	<ul style="list-style-type: none"> - Controleer de stroomonderbreker - Schakel de ventilatorsnelheidsregelaar in - Controleer en corrigeer het probleem
De ventilator krijgt stroom maar werkt niet	<ul style="list-style-type: none"> - Slechte elektrische aansluitingen - De instelling "lage spanning" van de ventilatorsnelheidsregeling staat te laag. - De ventilatorsnelheidsregelaar is defect 	<ul style="list-style-type: none"> - Controleer en corrigeer problemen met de aansluitingen. Besteed speciale aandacht aan de bedrading in de aansluitdoos - Verhoog de instelling - Vervang de ventilatorsnelheidsregelaar
De ventilator krijgt stroom maar hij zoemt en draait niet	<ul style="list-style-type: none"> - Mogelijk is de condensator van de motor defect. - De ventilator zit vast door vastgekoekt creosoot 	<ul style="list-style-type: none"> - Controleer de condensator en vervang hem indien nodig - Reinig de ventilator
De ventilator lijkt goed te werken, maar er is niet voldoende trek	<ul style="list-style-type: none"> - De ventilator is te klein bemeten 	<ul style="list-style-type: none"> - Vervang door een grotere ventilator
De ventilator heeft last van trillingen	<ul style="list-style-type: none"> - Mogelijk is de motoras verbogen 	<ul style="list-style-type: none"> - Vervang de motor
Er komen luchtstroomgeluiden uit de haardopening	<ul style="list-style-type: none"> - De schoorsteenpijp is te klein bemeten. - De ventilator is te groot bemeten en draait te snel 	<ul style="list-style-type: none"> - Hier kan weinig aan verholpen worden. Probeer de haardopening te verkleinen - Verlaag de ventilatorsnelheid
Er is mechanisch lawaai hoorbaar	<ul style="list-style-type: none"> - Mogelijk zit er vreemd materiaal vast - Mogelijk zijn de motorlagers versleten 	<ul style="list-style-type: none"> - Verwijder het materiaal - Vervang de lagers

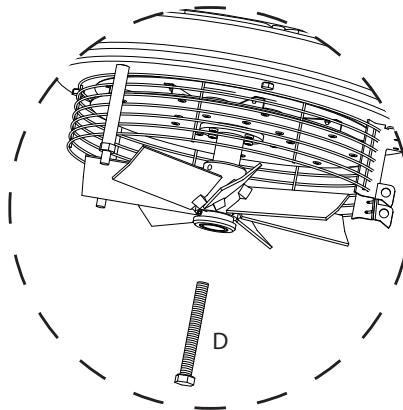
4.7.5 Vervangen van schoepenrad en motor

Vervangen van het schoepenrad

- A. Zet de inbuschroef los
- B. Trek de ventilatorplug uit
- C. Schroef de M6-schroef op het eind van de holle as van het schoepenrad los en verwijder de schroef.

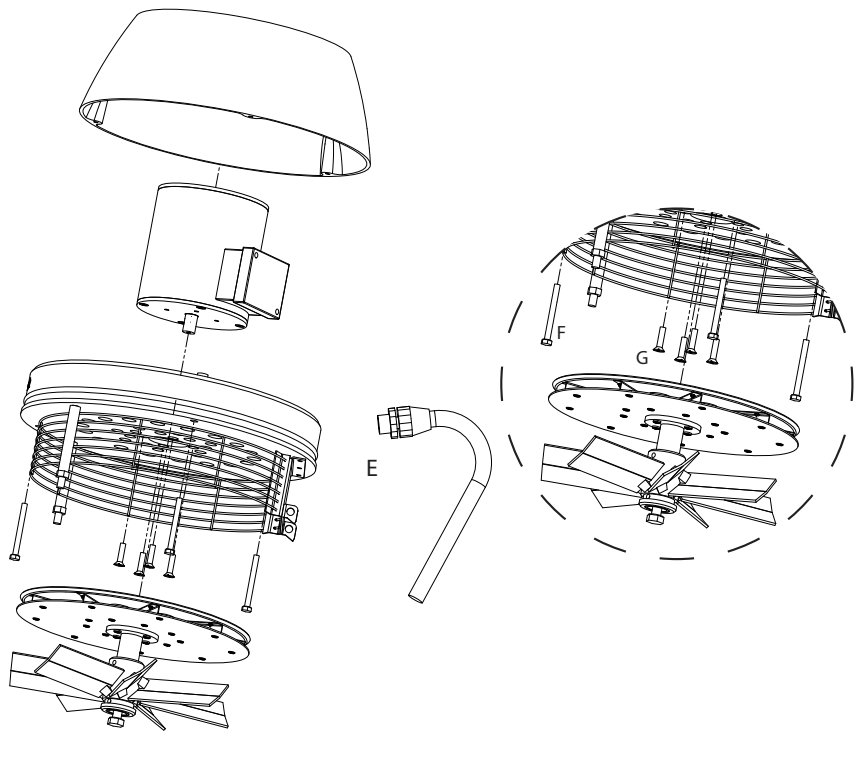


- D. Gebruik een M10-schroef met een min. lengte van 140 mm en een schroefdraadlengte van minimaal 40 mm. Houd het schoepenrad tegen. Naarmate de schroef ingedraaid wordt, wordt het schoepenrad van de motoras getrokken.



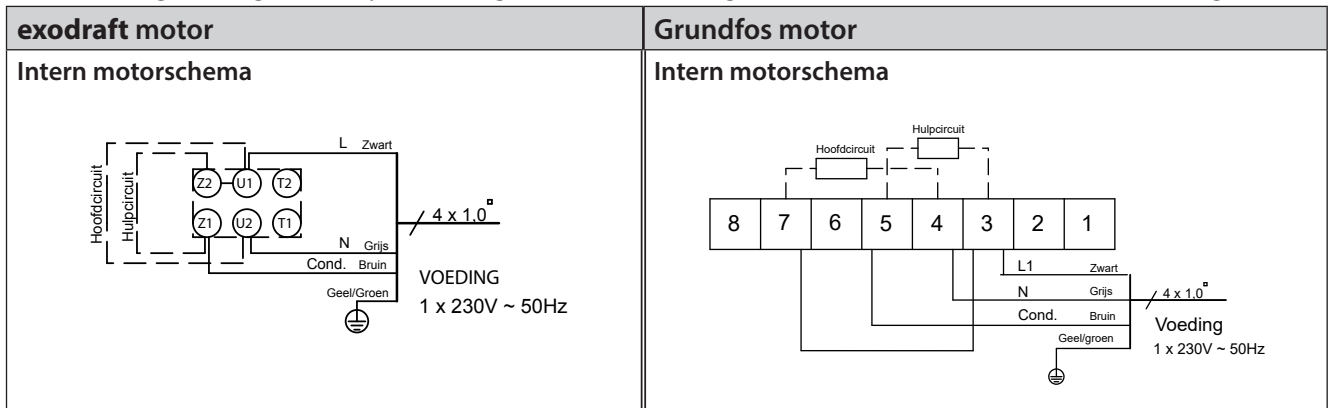
Vervangen van de motor

- E. Maak de kabelwartel los
- F. Verwijder de drie schroeven waarmee de bovenkant vaststaat
- G. Verwijder de vier schroeven waarmee de motor vaststaat

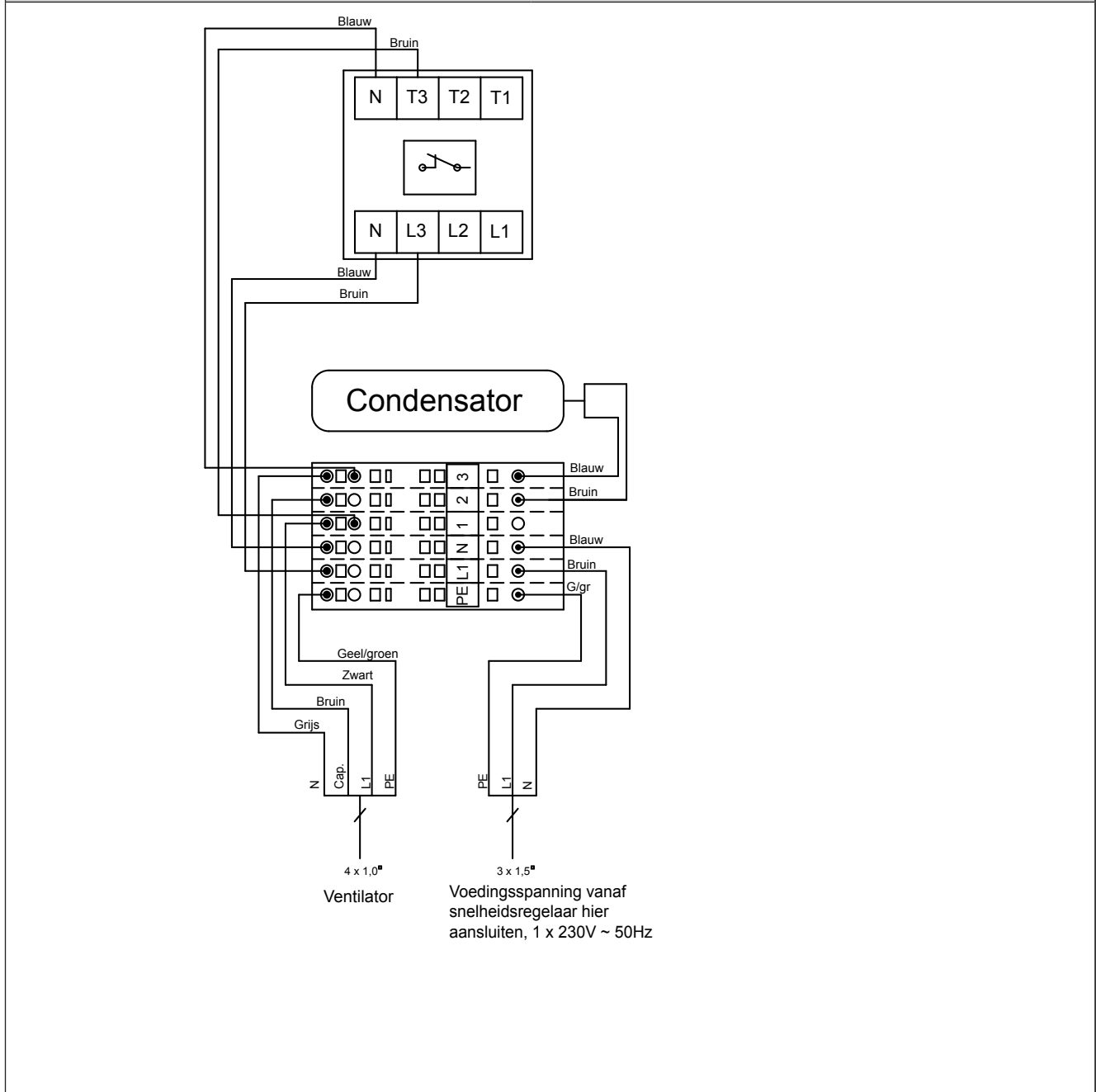


4.7.6 Interne bedradingschema's

Alle bedrading is al uitgevoerd bij de levering, behalve de voeding van het elektriciteitsnet en de **exodraft**-regelaar.



Bedrading in de schakeldoos





5. Declaration of Conformity



<p>DK: EU-Overensstemmelseserklæring GB: Declaration of Conformity DE: EU-Konformitätserklärung FR: Déclaration de conformité de l'Union Européenne NO: EU-Samsvarserklæring PL: EU Deklaracja zgodności</p>	<p>NL: EU-Conformiteits verklaring SE: EU-Överensstämmelsedeklaration FI: EU-Vaatimustenmukaisuusvakuutus IS: ESS-Samræmisstaðfesting IT: Dichiarazione di Conformità Unione Europea</p>
<p>exodraft a/s Industrivej 10 DK-5550 Langeskov DANMARK</p>	
<p>-erklærer på eget ansvar, at følgende produkter: -hereby declares that the following products: -erklärt hierdurch auf eigene Verantwortung, daß folgende Produkte: -déclare, sous sa propre responsabilité, que les produits suivants: -erklærer på eget ansvar at følgende produkter: -niniejszym oświadczam, że następujące produkty:</p>	<p>-veklaart dat onderstaande producten: -deklarerar på eget ansvar, att följande produkter: -vastaa siltä, että seuraava tuote: -Staðfesti à eigin àbyrgð, að eftirfarandi vörur: -dichiara con la presente che i seguenti prodotti:</p>
<p>RSHT009-41, RSHT012-41, RSHT014-41, RSHT016-41</p>	
<p>-som er omfattet af denne erklæring, er i overensstemmelse med følgende standarder: -were manufactured in conformity with the provisions of the following standards: -die von dieser Erklärung umfaßt sind, den folgenden Normen: -auxquels s'applique cette déclaration sont en conformité avec les normes ci-contre: -som er omfattet av denne erklæring, er i samsvar med følgende standarder: -zostały wyprodukowane zgodnie z warunkami określonymi w następujących normach:</p>	<p>-zijn vervaardigd in overeenstemming met de voorschriften uit de hieronder genoemde normen en standaards: -som omfattas av denna deklARATION, överensstämmer med följande standarder: -jota tämä selvitys koskee, on seuraavien standardien mukainen: -sem eru meðtalin í staðfestingu Pessari, eru í fullu samræmi við eftirtalda staðla: -sono stati fabbricati in conformità con le norme degli standard seguenti:</p>
<p>EN60335-1, EN60335-2-80, DS/EN ISO 12100: 2012</p>	
<p>-i.h.t bestemmelser i direktiv: -in accordance with -entsprechen gemäß den Bestimmungen der folgenden Richtlinien: -suivant les dispositions prévues aux directives: -i.h.t bestemmelser i direktiv: -zgodnie z:</p>	<p>-en voldoen aan de volgende richtlijnen: -enligt bestämmelserna i följande direktiv: -seuraavien direktiivien määräysten mukaan: -med tilvisun til ákvarðana eftirlits: -in conformità con le direttive:</p>
<p>-Maskindirektivet: -the Machinery Directive: -Richtlinie Maschinen: -Directive Machines: -Maskindirektivet: -Dyrektywę maszynową:</p>	<p>-de machinerichtlijn: -Maskindirektivet -Konedirektiivi: -Vèlaeftirlitið: -Direttiva Macchinari:</p>
<p>2006/42/EF/-EEC/-EWG/-CEE</p>	
<p>-Lavspændingsdirektiv: -the Low Voltage Directive: -Niederspannungsrichtlinie: -Directive Basse Tension: -Lavspenningsdirektivet: -Dyrektywę Niskonapięciową</p>	<p>-de laagspanningsrichtlijn: -Lågspänningsdirektivet: -Pienjännitedirektiivi: -Smáspennueftirlitið: -Direttiva Basso Voltaggio:</p>
<p>2006/95/EC</p>	
<p>-EMC-direktivet: -and the EMC Directive: -EMV-Richtlinie: -Directive Compatibilité Electromagnétique: -EMC-direktivet: -Dyrektywę EMC – kompatybilności elektromagnetycznej</p>	<p>-en de EMC richtlijn: -EMC-direktivet: -EMC-direktiivi: -EMC-efirlitið: -Direttiva Compatibilità Elettromagnetica:</p>
<p>2004/108/EC</p>	
<p>Langeskov, 06.12.2021 -Adm. direktør -Managing Director Anders Haugaard </p>	<p>-Algemeen directeur -Geschäftsführender Direktor -Président Directeur Général -Dyrektor Zarządzający -Verkställande direktör -Toimitusjohtaja -Framkvemdastjóri -Direttore Generale</p>



DK: exodraft a/s

Industrivej 10
DK-5550 Langeskov
Tel: +45 7010 2234
Fax: +45 7010 2235
info@exodraft.dk
www.exodraft.dk

NO: exodraft a/s

Storgaten 88
NO-3060 Svelvik
Tel: +47 3329 7062
info@exodraft.no
www.exodraft.no

DE: exodraft a/s

Niederlassung Deutschland
Soonwaldstraße 6
DE-55569 Monzingen
Tel: +49 (0)6751 855 599-0
Fax: +49 (0)6751 855 599-9
info@exodraft.de
www.exodraft.de

SE: exodraft a/s

Kalendevägen 2
SE-302 39 Halmstad
Tlf: +46 (0)8-5000 1520
info@exodraft.se
www.exodraft.se

UK: exodraft Ltd.

24 Janes Meadow, Tarleton
GB-Preston PR4 6ND
Tel: +44 (0)1494 465 166
Fax: +44 (0)1494 465 163
info@exodraft.co.uk
www.exodraft.co.uk

FR: exodraft sas

78, rue Paul Jozon
FR-77300 Fontainebleau
Tel: +33 (0)6 3852 3860
info@exodraft.fr
www.exodraft.fr