

Pro Range ENG56-400, ENG68-400, ENG56-600

GB DE NL FR IT ES

EN: This product is only suitable for well insulated rooms or occasional use. DE: Dieses Produkt ist nur für gut isolierte Bereiche oder gelegentliche Verwendung geeignet. FR: Ce produit convient uniquement à des endroits bien isolés ou pour un usage occasionnel. IT: Questo prodotto è adatto solo per spazi ben isolati o per uso occasionale. ES: Este producto sólo es adecuado para espacios bien aislados o un uso ocasional. NL: Dit product is uitsluitend geschikt voor goed geïsoleerde ruimten of voor sporadisch gebruik. PL: Produkt ten jest odpowiedni wyłącznie do dobrze odizolowanych miejsc lub do okazjonalnego użytku. NO: Dette produktet egner seg kun for godt isolerte rom eller sporadisk bruk. RO: Acest produs este adecvat exclusiv spațiilor bine ventilate sau utilizării ocazionale. CZ: Tento výrobek je vhodný pouze do dobře izolovaných prostor nebo k příležitostnému použití. DK: Dette produkt er kun egnet til velisolerede rum eller lejlighedsvis brug. PT: Este produto somente é adequado para espaços bem isolados ou uso ocasional. SE: Denna produkt är endast avsedd för välisolerade utrymmen eller tillfällig användning. FI: Tämä tuote soveltuu ainoastaan hyvin eristettyihin tiloihin tai satunnaiseen käyttöön. SK: Tento výrobok je vhodný len pre dobre izolované priestory alebo na občasné použitie. SI: Ta izdelek je primeren le za dobro izolirane prostore ali za občasno uporabo. HR: Ovaj proizvod je pogodan samo za dobro izolirane prostore ili povremenu upotrebu. HU: Ez a termék csak jól szigetelt terekhez vagy eseti használatra alkalmas



The product complies with the European Safety Standards and the European Standard Electromagnetic Compatibility (EMC)
These cover the essential requirements of EEC Directives

UK	1
DE	10
NL	20
FR	29
IT	38
ES	48

Introduction

Please read this information guide carefully to be able to safely install, use and maintain your product.

Important Safety Advice

CAUTION: FAILURE TO FOLLOW THESE INSTRUCTIONS MAY CAUSE INJURY AND/OR DAMAGE AND MAY INVALIDATE YOUR GUARANTEE

Important Safety Advice

When using electrical appliances, basic precautions should always be followed to reduce the risk of fire, electrical shock and injury to persons, including the following:

- If the appliance is damaged, check with the supplier before installation and operation.
- Do not use outdoors.
- Do not use in the immediate surroundings of a bath, shower or swimming pool.
- Do not locate the appliance immediately below a fixed socket outlet or connection box.

Warning: This heater must not be used for anything other than normal domestic household purposes in the country where it was purchased from a recognised commercial retailer.

This appliance can be used by children aged from 8 years and above and persons with reduced physical, sensory or mental capabilities or lack of experience and knowledge if they have been given supervision or instruction concerning use of the appliance in a safe way and understand the hazards involved. Children shall not play with the appliance. Cleaning and user maintenance shall not be made by Children without supervision.

Children of less than 3 years should be kept away unless continuously supervised. Children aged from 3 years and less than 8 years shall only switch on/off the appliance provided that it has been placed or installed in its intended normal operating position and they have been given supervision or instruction concerning use of the appliance in a safe way and understanding the hazards involved. Children aged from 3 years and less than 8 years shall not plug in, regulate and clean the appliance or perform user maintenance.

Warning: This appliance must be earthed.

The use of an extension lead or multi-plug adaptor is not advised when connecting this product to the mains. Connection through these devices could lead to a risk of overloading, overheating and even fire at the extension lead or adaptor due to inadequate connection quality.

This heater must be used on an ~alternating current supply (~) only and the voltage marked on the heater must correspond to the supply voltage.

Do not use this appliance in series with a thermal control, a program controller, a timer or any other device that switches on the heat automatically, since a fire risk exists when the appliance is accidentally covered or displaced.

DO NOT use the heater on deep pile carpets or the long hair type of rugs, or less than 750mm (30") away from any overhanging surface. Keep combustible materials such as drapes and other furnishings clear from the front, sides and rear of the heater. Do not use heater to dry your laundry.

In the event of a fault unplug the appliance. Unplug the appliance when not required for long periods.

The appliance must be positioned so that the plug is accessible. If the supply cord is damaged it must be replaced by the manufacturer or service agent or a similarly qualified person in order to avoid a hazard. Keep the supply cord away from the front of the appliance.

Caution: Some parts of this product can become very hot and cause burns. Particular attention has to be given where children and vulnerable people are present.

Warning: In order to avoid overheating, do not cover the appliance. Do not place material or garments on the appliance, or obstruct the air circulation around the appliance, for instance by curtains or furniture, as this could cause overheating and a fire risk.

The appliance carries a DO NOT COVER warning

Warning: In order to avoid a hazard due to inadvertent resetting of the thermal cut-out, this appliance must not be supplied through an external switching device, such as a timer, or connected to a circuit that is regularly switched on and off by the utility.

General Information

Only use filtered water in this appliance.

Always ensure that the appliance is sitting on a level surface.

Although this heater complies with safety standards, we do not recommend its use on deep pile carpets or on long hair type of rugs.

Please note: Used in an environment where background noise is very low, it may be possible to hear a sound which is related to the operation of the flame effect. This is normal and should not be a cause for concern.

If this product experiences a power surge for whatever reason the product may cut-out. This is a normal safety feature and the product will resume operation after 30 seconds.

Once installed, never move this appliance or lay on its back, without draining the water from sump and water tank. If you intend not using the appliance for longer than 2 weeks, drain the water from sump and water tank and dry the sump.

The water tank, sump, sump lid, tank cap and air filters must be cleaned once every two weeks, particularly in hard water areas.

The appliance should never be operated if the lamps are not working.

The lamps should be regularly inspected as described under 'Maintenance' and 'Changing lamps'.

Technical Information

Model No: ENG56-400 E, ENG68-400 E, ENG56-600 E

Heat Output		230V	240V	
Nominal Heat Output	P_{Nom}	1.8	2.0	kW
Minimum Heat Output	P_{min}	0.9	1.0	kW
Maximum Continuous Heat Output	P_{max}	1.8	2.0	kW
Auxiliary Electricity Consumption				
In Standby Mode	P_{Nom}	0.45	0.48	W

electronic room temperature control plus week timer

Installation Instructions

This section describes how to set up your fire.

BEFORE YOU START

1. Ensure that all packing items are removed (read any warning labels carefully) and retain all packing for possible future use e.g. in the event of moving house or returning the appliance to your supplier.
2. Before connecting the appliance, check that the supply voltage is the same as that stated on the heater.

Installation into a Fireplace Mantle

1. When installing this appliance into a fireplace mantle please ensure that you choose a mantle suitable for your appliance (Fig 18). **There is to be an air vent at the front of the fireplace mantle of at least 88cm². It is essential to ensure that air can circulate into the appliance – otherwise the Opti-myst flame effect**

will not operate correctly. This pathway for air must not be obstructed

2. Remove the 4 spacing brackets on the front of the appliance (Fig 19)
3. Slide the appliance into the fireplace mantle fully from the back ensuring that it is sitting in the center of the mantle. Using suitable screws (not supplied) screw fix the appliance in place (Fig 20)
4. Be sure to position the fireplace within 1m of a power outlet (Fig 21)

Installation into a wall or recess cavity

1. Note the product dimensions in Fig 1 and build a suitable structure for the appliance to fit into within 1m of a power outlet (Fig 22). Using suitable screws (not supplied) screw fix the appliance in place
2. Note the venting slots in the appliance. There are located at the front base and under the appliance
3. Build the wall up against the appliance using the spacing brackets as a guide.
4. **There is to be an air vent at the front of the structure of at least 88cm². It is essential to ensure that air can circulate into the appliance – otherwise the Opti-myst flame effect will not operate correctly. This pathway for air must not be obstructed. For examples of air vents in a wall or recess cavity see Fig 23**

Connecting the Transducer Unit + Lamps

1. Release the two red tabs by turning them by 90 degrees (Fig 2)
2. Lift out the Sump Nozzle (Fig 3)
3. Insert lamps into lamp holders (Fig 4), carefully locating the pins into the holes (Fig 4a)
4. Push lamps firmly into place
5. Place the Transducer Unit into the sump and join the cable to the connector on the sump (Fig 5)
6. To ensure that the Transducer Unit is correctly placed in the sump, the tab on the Transducer Unit should be lined up with the moulded recess in the sump (Fig 5a).
7. Ensure that the cable is not placed above the disc on the Transducer Unit (Fig 5b). To prevent the cable becoming pinched between the nozzle and the sump, place the cable in the slot in the wall of the sump.
8. Replace the Sump Nozzle and secure it by turning the two red tabs by 90 degrees (Fig 6)

Filling the Water Tank

9. Place Water Tank in sink and remove cap (turn anti-clockwise to open) (Fig 7)
10. Fill Water Tank with **filtered tap water only**. This is necessary to prolong the life of the flame and smoke producing unit. The water should be filtered through a conventional domestic water filter unit and the filter should be replaced regularly. Distilled water must **not** be used.
11. Screw the cap back on – **do not overtighten**.
12. Place the Water Tank in the Sump, with the tank cap facing down and the flat side of the tank facing outward (Fig 8)

Assembling the fire

13. Place the Fuelbed on top of the Water Tank and Mist Nozzle (Fig 9)

Operating the Product

WARNING: FAILURE TO FOLLOW THESE OPERATING INSTRUCTIONS MAY RESULT IN INJURY AND/OR DAMAGE.


Manual Controls


The Opti-myst Manual controls are located on the base of the appliance.

(See Fig. 2 for Manual Control lay out)

Switch 'A':- Controls the electricity supply to the Fire.

Note: This switch must be in the 'ON' (I) position for the Fire to operate with or without heat when activated.

Switch 'B':- Press  once to turn on the flame effect. This will be indicated by an audible "beep". Although the main lights operate immediately it will take a further 45 seconds before the flame effect starts.

Press  to put fire into standby mode. This will be indicated by one "beep".

Remote Control

The remote control is packed with 2 AA batteries in a bag. Lift off the battery cover on the back of the remote control and insert the batteries taking note of the polarity.

Switching on the appliance

Press and hold the ENTER button for 3 seconds to activate the remote control. FIRE will be displayed and ON will be blinking. Press ENTER to switch on the appliance. To turn off the appliance press MENU so that FIRE is blinking, press ENTER twice.

Adjust the Flame Setting

With the remote control activated press once. FIRE will be blinking on the display. Press ENTER. The current flame setting will be displayed F1-F6. Press the UP and DOWN buttons to adjust the setting. After you have selected your flame setting press BACK twice to exit the menu and return to the home screen.

Switching on the Heat

With the remote control activated press MENU once. FIRE will be blinking on the display. Press ADV once, HEAT will be blinking. Press ENTER. The current heat setting will be displayed OFF LO HI. Press the UP and DOWN buttons to adjust the setting. After you have selected your flame setting press ENTER.

Setting the Thermostat

The temperature shown on the display is the room temperature set point. This is the temperature that the heater will maintain during the heating periods. If the room temperature is above this temperature then the heater will not operate. The heater leaves the factory with this temperature set at 15°C which represents a typical comfortable room temperature. If you require a different room temperature then press either up or down on the home screen until the display shows the temperature you require.

Thermal Safety Cut-out

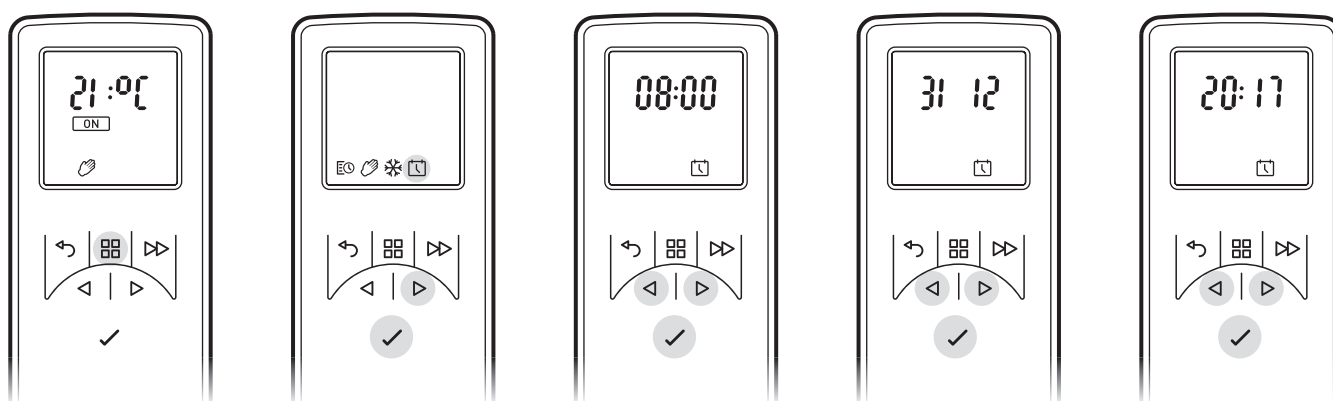
A thermal safety cut-out is incorporated in the fan heater to prevent damage due to overheating. This can happen if the heat outlet was restricted in any way. If the cut-out operates, unplug the heater from the socket outlet and allow approximately 10 minutes before reconnecting. Before switching the heater back on remove any obstruction that may be restricting the heat outlet, then continue normal operation.

CAUTION: In order to avoid a hazard due to inadvertent resetting of the thermal cutout, this appliance must not be supplied through an external switching device, such as a timer, or connected to a switch that is regularly switched on and off by the utility.

Setting the Date and Time

To set the date and time on the heater;

1. Press the Menu button
2. Press ^ button 4 times
3. Press Enter when the Date & Time icon is blinking
4. Press Enter to set Time
5. Press v and ^ to set the Hour, press Enter
6. Press v and ^ to set the Minutes, press Enter to confirm the time
7. Press v and ^ to set the Day, press Enter
8. Press v and ^ to set the Month, press Enter
9. Press v and ^ to set the Year, press Enter to confirm the date



Modes of Remote Operation

User Timer: Provides greatest flexibility to the user. Four times slots are available throughout the day and these can be customised for each day of the week. See “How to adjust the timer modes” for instructions on adjusting these from the factory default time periods & temperatures.

Manual Mode: This mode heats the room to the temperature you have set the remote control to.

Frost Protection: This mode will maintain a room temperature to 7°C. This mode should be used to provide protection against frost as indicated by the frost icon.

Choosing and Setting a Mode

User Timer - To re-programme the factory default Timer Modes:

1. Press Menu Button
2. Press ^ once to the schedule Icon is blinking. Press Enter
3. Press ^ Twice then press Enter

Days of the weeks are now displayed at the top of the screen

- Day 1 = Monday
- Day 2 = Tuesday
- Day 3 = Wednesday
- Day 4 = Thursday
- Day 5 = Friday
- Day 6 = Saturday
- Day 7 = Sunday

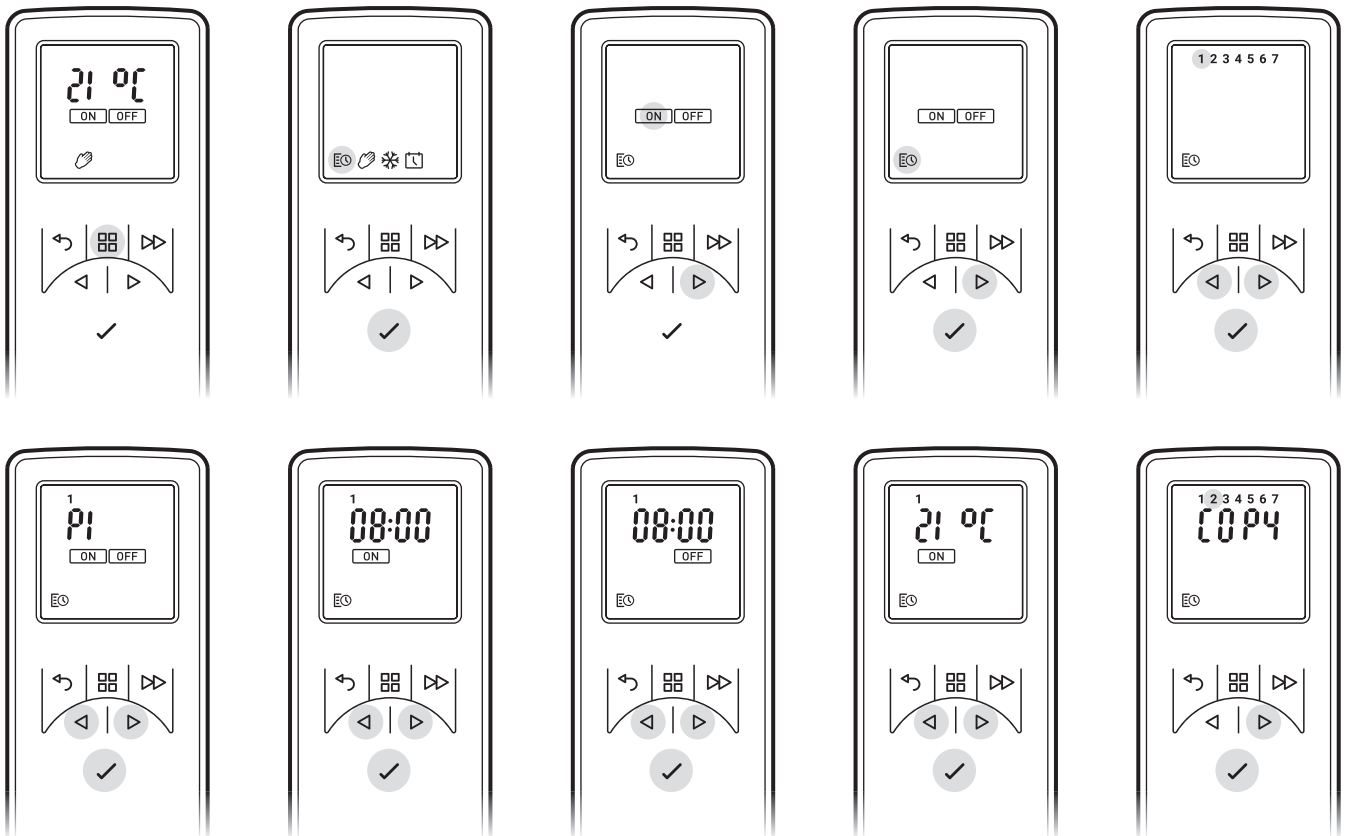
4. Press Enter to Modify Day 1 or Press ^ to navigate to the desired day and Press Enter to Select
5. P1 will be displayed on screen
6. Press Enter to select P1, to navigate to P2, P3 or P4 press ^ and press Enter to select
7. ON will be highlighted, press Enter to set the on Time
8. Press v or ^ to adjust the on Hour time, press Enter to Confirm
9. Press v or ^ to adjust the on Minute time, press Enter to Confirm
10. Press v or ^ to adjust the Temperature setting, press Enter to Confirm
11. Press v or ^ to adjust the off Hour time, press Enter to Confirm
12. Press v or ^ to adjust the off Minute time, press Enter to Confirm

Press Enter to modify Programme P2, follow steps 5-12, Press ^ to skip to P3
Press Enter to modify Programme P3, follow steps 5-12, Press ^ to Skip to P4
Press Enter to modify Programme P4, follow steps 5-12

To copy newly programmed P1-P4 heating programmes to other days press the Enter button.
Copy will be displayed on screen

To copy to the next day in sequence, press ^ button. To deselect the next day in sequence press Enter button.

The days of the week that are selected will be displayed at the top of the screen. The days that have been deselected will not be visible (see Diagrams).
Press Enter to confirm, backlight will flash and return to home screen.

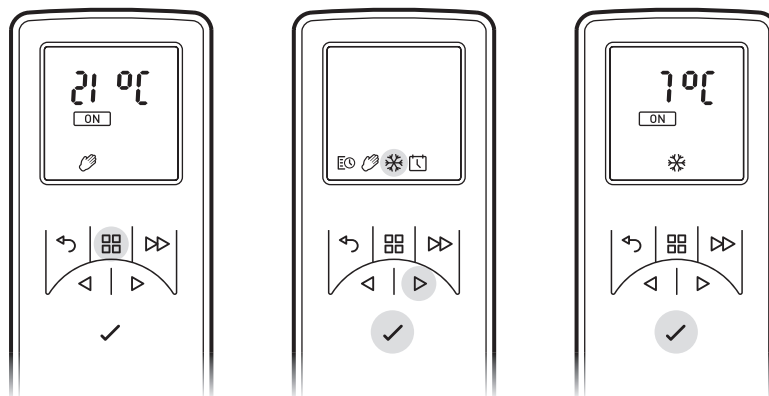


Manual Mode - To choose a constant heat mode. This mode ignores the User Timer and maintains the displayed temperature.

- Press Menu Button
- Press ^ twice to highlight the Hand icon
- Press Enter to Confirm
- Use v and ^ to adjust to the desired temperature

Frost protect - Frost protect mode maintains a room temperature of 7°C throughout a 24 hour period. This mode should be used to provide protection against frost as indicated by the Frost icon.

- Press the Menu button
- Press ^ three times to highlight the snowflake icon
- Press Enter to confirm
- Press v or ^ to exit this mode and enter manual mode.



Getting the Desired Flame Effect

1. Using the remote control press MENU, FIRE on the display will be flashing, press ENTER. The current setting will be displayed. Press ^ or v to toggle between F1 and F6. F1 being the lowest setting and F6 being the highest setting.
2. Generally the flames appear more realistic when the flame control is turned down.
3. Give the flame generator time to react to changes you may make.
4. The fire will use less water if the flame effect is set to a lower level.
5. Do not tilt or move the fire while there is water in the tank or sump.
6. Make sure that the fire is on a level floor.

Customising the display

The maximum temperature set point on the product is 32°C You have the option to reduce this set point. You can also change °C to °F

1. Press the Menu button.
2. Press the ADV button twice - SP will be blinking.
3. Press Enter to confirm.
4. Press v or ^ to choose between °C and °F.
5. Press Enter to confirm.
6. Press v or ^ to choose your maximum temperature set point.
7. Press Enter to confirm.
8. Press BACK three times to return to the home screen.

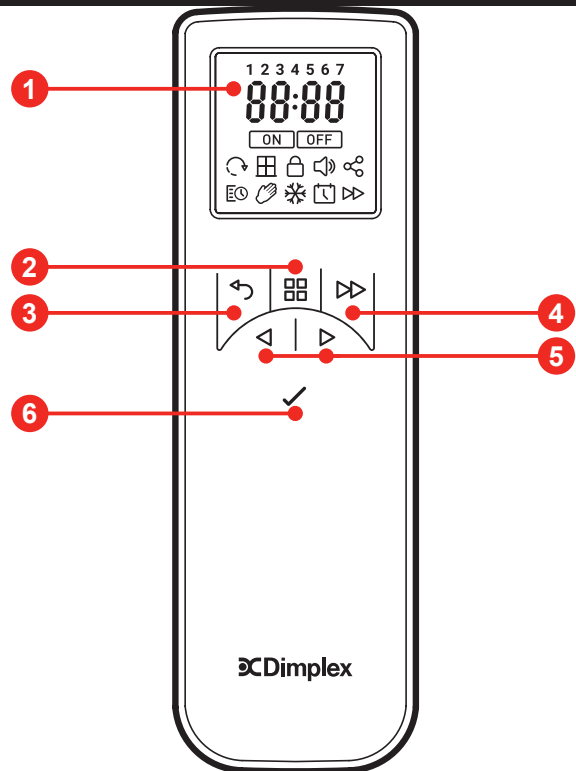
Adaptive Start

The built-in electronics in this appliance have a learning function with regards to how long it takes to heat up a room. Having learnt how quickly it can heat up your room, the appliance is able to turn on at just the right time in order to get the room up to a comfortable temperature when you want it. For example, if you get up at 7am, you would normally have to guess when to turn the heating on in order for it to pre-heat the room in time. Depending on how cold it is outside, this could mean the room is still cold when you have to get out of bed, or mean that its been warm for half an hour before it needed to be. Adaptive Start means that if you select 21°C at 7am, the heater will turn on exactly when it needs to in order to meet this target, running for shorter periods of time when the weather is mild, and ensuring the room is nice and warm in the winter.

The Adaptive Start function will automatically activate when you use the Timer Mode.

Remote Control

- 1 Display Screen
- 2 'Menu' Button
- 3 'Back' Button
- 4 'Advance' Button
- 5 'Up and Down' Arrows
- 6 'Enter' Button



Maintenance

GENERAL TIPS

Only use filtered tap water in this appliance.

Always ensure that the appliance is sitting on a level surface.

If you intend not using the appliance for longer than 2 weeks, remove and empty the sump and water tank.

Once installed, never move this appliance or lay on its back, without draining the water from sump and water tank.

The appliance should never be operated if the lamps are not working.

The lamps should be regularly inspected as described under 'Changing lamps'.

FILLING THE WATER TANK

When the water tank is empty, the flame and smoke effect shuts off and you will hear 2 audible beeps, follow these steps.

1. Press Switch 'A' to (0) (Fig. 10)
2. Gently lift out the fuelbed and carefully set aside.
3. Remove the water tank by lifting upwards and outwards.
4. Place the water tank in sink and remove cap, Anti-clockwise to open. (Fig. 7)
5. Fill tank with filtered tap water only. This is necessary to prolong the life of the flame and smoke producing unit. The water should be filtered through a conventional domestic water filter unit and the filter should be replaced regularly.
6. Screw the cap back on, do not over tighten.
7. Return the tank to the sump, with the tank cap facing down and the flat side of the tank facing outward. (Fig. 8)
8. Gently place the fuelbed back into position. (Fig. 9)
9. Press Switch 'A' to 'ON' (I) position (Fig. 10)

CHANGING LAMPS

If the flame and smoke effect appears grey or colourless it may be that one or more lamps have failed.

You can check for lamp failure as follows.

1. Leaving the flame effect on, lift out the fuelbed and water tank.
2. It should be possible to view the lamps with the nozzle in place and observe which one needs to be changed.
3. Put Switch 'A' in the 'OFF' position, and unplug the fire from the mains.
4. Leave the appliance for 20 minutes to allow the lamps to cool down before removing them.
5. Remove the sump as described in the Cleaning Section.
6. Remove the defective lamp, by gently lifting vertically and disengaging the pins from the lamp holder, (Fig. 4 and 4a).
Replace with an OPTIMYST, 12V, 45W, Gu5.3 base, 8° beam angle, coloured lamp. (Purchased from our your supplier)
7. Carefully insert the two pins of the new lamp into the two holes in the lamp holder. Push firmly in place.

(Fig. 4 and 4a).

8. Replace the sump, nozzle, water tank and fuelbed.

CLEANING

Warning – Always press Switch ‘A’ to the ‘OFF’ (0) position (Fig. 10) and disconnect from the power supply before cleaning the fire.

We recommend cleaning the following components once every 2 weeks, particularly in hard water areas:-

Water Tank, Sump, Nozzle, Tank cap and seal, Air filter.

For general cleaning use a soft clean duster – never use abrasive cleaners.

To remove any accumulation of dust or fluff the soft brush attachment of a vacuum cleaner should occasionally be used to clean the outlet grille of the fan heater.

Water tank

1. Remove water tank, as described earlier, put into sink and empty water.
2. Using the supplied brush gently rub the inside surfaces of the cap paying particular attention to the rubber ring in the outer groove and the centre rubber seal.
3. Put a small quantity of washing up liquid into the tank, refit the cap and shake well, rinse out until all traces of washing up liquid are gone.
4. Refill with filtered tap water only, replace the cap, do not overtighten.

Sump

1. Press Switch ‘A’ to the ‘OFF’ (0) position
2. Gently lift out the fuelbed and place carefully on the ground.
3. Remove the water tank by lifting upwards.
4. Disconnect the electrical connector, located on the right side of the sump. (Fig. 5) .
5. Release the right sump locking tabs by turning 90°. This allows the sump to be lifted completely from its location. (Fig. 11)
6. Gently lift up the sump, taking care to keep level so as not to spill any water. Sit the assembly in the sink.
7. Release the left sump locking tabs by turning 90°, then lift off the Nozzle. (Fig. 3)
8. Lift out the transducer and carefully tilt, as shown, so that the liquid drains out of the sump. (Fig. 13)
9. Put a small amount of washing up liquid into the sump, and using the supplied brush, gently clean all surfaces in the sump and gently clean the transducer including the metal discs located in the top grooved surface. (Fig. 14)
10. When cleaned, thoroughly rinse the sump with clean water to remove all traces of washing up liquid.
11. Clean the Nozzle with the brush and flush out thoroughly with water. (Fig. 15)
12. Reverse the above steps to reassemble.

Air filter

1. Gently lift out the fuelbed and place carefully on the ground.
2. Gently slide the air filter upwards out of its plastic holder. (Fig. 16)
3. Gently rinse with water in the sink and dry with fabric towel before returning.
4. Replace the filter making sure that the coarse black filter is facing the front of the fire.
5. Replace the fuelbed.

Additional Information

AFTER SALES SERVICE

Your product is guaranteed for two years from the date of purchase. Within this period, we undertake to repair or exchange this product free of charge (excluding lamps & subject to availability) provided it has been installed and operated in accordance with these instructions. Your rights under this guarantee are additional to your statutory rights, which in turn are not affected by this guarantee.

RECYCLING



For electrical products sold within the European Community - At the end of the electrical products useful life it not be disposed of with household waste. Please recycle where facilities exist. Check with your Local Authority or retailer for recycling advice in your country.

PATENT / PATENT APPLICATION

Products within the Optimyst range are protected by one or more of the following patents and patent applications:

Great Britain GB 2402206, GB 2460259, GB 2460453, GB 2418014, GB 2465738, GB 2449925, GB 2465537, GB 2455277, GB1020534.2, GB1020537.5, GB1110987.3

United States US 7967690, US 2010299980, US 2011062250, US 2008028648, US 13/167,042

Russia RU2008140317

European EP 2029941, EP 2201301, EP 2315976, EP 1787063, EP07723217.1, EP11170434.2, EP 11170435.9

China CN 101883953, CN 200980128666.2, CN 101057105, CN 101438104

Australia AU 2009248743, AU 2007224634

Canada CA 2725214, CA 2579444, CA 2645939

International Patent Application WO 2006027272

South Africa ZA 200808702

Mexico MX 2008011712

Korea KR 20080113235

Japan JP 2009529649

Brazil BR P10708894-9

India IN 4122/KOLNP/2008

New Zealand NZ 571900

Troubleshooting

Symptom	Cause	Corrective Action
The flame effect will not start.	Mains plug is not plugged in. Low water level. Low voltage connector not connected properly. (Fig. 5) The Transducer Unit is not sitting correctly in the sump	Check plug is connected to wall socket correctly. Check that the water tank is full and there is water in the sump. Check that the connector is inserted correctly. (Fig. 5) Ensure the Transducer is sitting down into the moulded recess in the sump
The flame effect is too low.	Flame effect knob is set too low. (Fig. 10) The Metal Disc in the transducer might be dirty (Fig. 14) The wire from the Transducer Unit is sitting over the metal disc	Increase level of flame by using Remote Control (See Section for Operating the Product) Clean the Metal Disc with soft brush supplied. (Fig. 14) See 'Maintenance.' for a step by step procedure. Direct the wire to the back of the sump and make sure it sits into the side slot exiting the sump.
Unpleasant smell when unit is used.	Dirty or stale water. Using unfiltered tap water.	Clean the unit as described under maintenance. Use only filtered tap water.
The flame effect has too much smoke.	Flame effect setting is too high.	Turn the flame effect Control knob 'D' to the right, about ¼ a turn, at a time. Give the flame generator some time to adjust to the new setting. (Fig. 10)
Main lamps are not working and there are no flames or smoke.	There is no water in the water tank	Follow instructions under Maintenance , 'Filling the water tank'. Check the plug is connected to the wall socket correctly and that Switch 'A' Fig. 10 is in the 'ON' (I) position.

Einführung

Bitte lesen Sie diese Informationsbroschüre sorgfältig, damit Sie Ihr Produkt sicher installieren, benutzen und warten zu können.

Wichtige Sicherheitshinweise

VORSICHT: NICHTBEACHTUNG DIESER ANWEISUNGEN KANN ZU VERLETZUNGEN UND / ODER SCHÄDEN FÜHREN UND KANN IHRE GARANTIE UNWIRKSAM MACHEN

Wichtige Sicherheitshinweise

Bei der Benutzung von elektrischen Anwendungen sollten stets grundlegende Sicherheitsmaßnahmen befolgt werden, um das Risiko für Feuer, Stromschlag oder die Verletzung von Personen einschließlich Folgendem zu vermeiden:

- Ist das Gerät beschädigt, sprechen Sie mit dem Zulieferer vor der Installation und Inbetriebnahme.
- Nicht draußen benutzen.
- Nicht in der unmittelbaren Nähe eines Bades, einer Dusche oder eines Schwimmbeckens benutzen.
- Stellen Sie das Gerät nicht direkt unter eine Steckdose oder eines Anschlusskastens.

Warnung: Dieses Heizgerät darf nur für den normalen Hausgebrauch in dem Land verwendet werden, in dem es von einem anerkannten Handelsunternehmen erworben wurde.

Dieses Gerät kann von Kindern ab 8 Jahren betrieben werden sowie von Personen, die verminderte körperliche, sensorische oder geistige Fähigkeiten haben oder keine Erfahrung oder Wissen haben, wenn sie die Aufsicht für den sicheren Betrieb eines Gerätes oder Anweisungen erhalten haben und die potentiellen Gefahren verstehen. Kinder dürfen nicht mit dem Gerät spielen. Die Reinigung und Wartung darf nicht von Kindern ohne Aufsicht erfolgen. Kinder unter 3 Jahren sollten von dem Gerät ferngehalten werden, es sei denn, sie sind stets beaufsichtigt. Kinder ab 3 Jahre und weniger als 8 Jahre dürfen das Gerät nur an- und ausschalten, wenn es in seiner vorgesehenen Betriebsposition aufgestellt und installiert wurde und wenn sie die Aufsicht für den sicheren Betrieb eines Gerätes oder Anweisungen erhalten haben und die potentiellen Gefahren verstehen. Kinder ab 3 Jahren und unter 8 Jahren dürfen das Gerät nicht einstecken, regulieren oder reinigen oder Wartungsarbeiten vornehmen.

Warnung: Dieses Gerät muss geerdet sein.

Die Verwendung eines Verlängerungskabels oder eines Mehrfachsteckers wird nicht empfohlen, wenn Sie dieses Produkt an das Stromnetz anschließen. Der Anschluss durch diese Geräte kann aufgrund unzureichender Anschlussqualität zu einer Überlastung, Überhitzung und sogar zu einem Brand an der Anschlussleitung oder dem Adapter führen.

Dieses Heizgerät Diese Heizung darf nur an einer ~ Wechselstromversorgung (~) betrieben werden und die am Heizgerät markierte Spannung muss der Versorgungsspannung entsprechen.

Das Gerät nicht zu einer Wärmeregulierung, einer Programmsteuerung, einer Zeitschaltuhr oder einem anderen Gerät in Reihe schalten, mit dem die Wärmequelle automatisch geschaltet wird. Bei versehentlicher Blockierung oder Verstellung des Heizgeräts besteht Brandgefahr.

Verwenden Sie das Heizgerät NICHT auf tiefflorigen Teppichen oder Teppichen mit langen Haaren oder weniger als 750 mm (30") entfernt von überhängenden Oberflächen. Halten Sie brennbare Materialien wie Vorhänge und andere Einrichtungsgegenstände von der Vorderseite, den Seiten und der Rückseite des Heizgeräts frei. Verwenden Sie kein Heizgerät zum Trocknen Ihrer Wäsche.

Sollte ein Fehler auftreten, bitte das Gerät ausstecken. Gerät ausstecken, wenn es für längere Zeit nicht benutzt wird.

Das Gerät muss so aufgestellt werden, dass der Stecker zugänglich ist. Wenn das Stromkabel beschädigt ist, muss es durch den Hersteller oder Dienstleister oder eine ähnlich qualifizierte Person ersetzt werden, um Gefahren zu vermeiden. Das Stromkabel sollte so angebracht werden, dass es die Vorderseite des Geräts nicht berührt.

Vorsicht: Einige Teile dieses Produktes können sehr heiß werden und Verbrennungen verursachen. Besondere Vorsicht ist bei der Anwesenheit von Kindern und verletzlichen Personen erforderlich.

Warnung: Um ein Überhitzen zu verhindern, darf das Gerät nicht bedeckt werden. Keine Materialien oder Textilien auf das Gerät legen oder den Luftfluss um das Gerät herum beeinträchtigen, beispielsweise durch Vorhänge oder Möbelstücke, da dies zu einer Überhitzung des Geräts führen und Brandgefahr verursachen kann.

Das Gerät trägt ein Warnetikett mit der Aufschrift: NICHT BEDECKEN

Warnung: Um Gefahren aufgrund unbeabsichtigter Zurücksetzung des Thermoauslösers zu vermeiden, darf das Gerät nicht an ein externes Schaltgerät angeschlossen werden, wie etwa ein Zeitschaltgerät oder an einen Stromkreis, der regelmäßig von der Stromversorgung an- und ausgeschaltet wird.

Allgemeine Informationen

Verwenden Sie in diesem Gerät nur gefiltertes Wasser.

Stellen Sie immer sicher, dass das Gerät auf einer ebenen Fläche steht.

Obwohl dieses Heizgerät den Sicherheitsstandards entspricht, empfehlen wir, das Gerät nicht auf Hochflor-Teppichen zu benutzen oder auf Teppichen mit langen Fasern.

Hinweis: In leisen Umgebungen ist ein hörbares Geräusch des Geräts möglich, welches vom Betrieb des Flammeffekts herrührt. Dies ist normal und stellt kein Problem dar.

Wenn dieses Produkt aus irgendeinem Grund einen Stromstoß erleidet, kann es sein, dass es sich ausschaltet.

Hierbei handelt es sich um eine normale Sicherheitsfunktion. Nach 30 Sekunden funktioniert es wieder normal.

Einmal installiert, Bewegen Sie dieses Gerät niemals und legen Sie es nicht auf den Rücken, ohne das Wasser aus der Wanne und dem Wassertank abzulassen.

Wenn Sie das Gerät länger als 2 Wochen nicht benutzen, lassen Sie das Wasser aus dem Sammelbehälter und dem Wassertank ab und trocknen Sie die Wanne.

Der Wassertank, die Wanne, der Wannendeckel, der Tankdeckel und die Luftfilter müssen alle zwei Wochen gereinigt werden, insbesondere in Gebieten mit hartem Wasser.

Das Gerät sollte niemals in Betrieb genommen werden, wenn die Lampen nicht funktionieren.

Die Lampen sollten regelmäßig gemäß der Beschreibung unter „Instandhaltung“ und „Lampenwechsel“ überprüft werden.

Technische Informationen

Modell-Nr.: ENG56-400 E, ENG68-400 E, ENG56-600 E

Wärmeleistung		230 V	240 V	
Nominale Wärmeleistung	P_{Nom}	1,8	2,0	kW
Minimale Wärmeleistung	P_{Min}	0,9	1,0	kW
Maximale kontinuierliche Wärmeleistung	P_{Max}	1,8	2,0	kW
Nebenelektrizitätsverbrauch				
Im Standby-Modus	P_{Nom}	0,45	0,48	W

elektronische Raumtemperatur-Kontrolle mit Wochen-Timer

Installationsanleitung

In diesem Abschnitt wird die Installation des Feuers beschrieben.

BEVOR SIE BEGINNEN

1. Stellen Sie bitte sicher, dass alle Verpackungsmaterialien entfernt wurden (Warnkennzeichnungen sorgfältig lesen) und bewahren Sie die Verpackung für mögliche Wiederverwendung auf, z. B. wenn Sie umziehen oder das Gerät

- zu Ihrem Lieferanten bringen oder zurückgeben.
2. Vor Anschluss des Geräts an das Stromnetz prüfen Sie bitte, dass die Voltzahl der Zahl entspricht, die auf dem Heizgerät angegeben ist.

Installation in Kaminsims

1. Gehen Sie bei der Installation des Geräts in einem Kaminsims bitte sicher, dass Sie einen Sims wählen, der für das Gerät passend ist (Abb. 18). **Auf der Vorderseite des Kaminsims muss sich ein Luftschaft von mindestens 88 cm² befinden. Es ist wichtig, zu gewährleisten, dass Luft in das Gerät gelangen kann, sonst wird der Opti-myst-Flammeneffekt nicht korrekt funktionieren. Dieser Luftweg darf nicht blockiert werden**
2. Entfernen Sie die 4 Abstandhalter von der Vorderseite des Geräts (Abb. 19)
3. Schieben Sie das Gerät vollständig von hinten in den Kaminsims und gehen Sie sicher, dass es sich in der Mitte des Sims befindet. Schrauben Sie das Gerät mit passenden Schrauben (nicht mitgeliefert) fest (Abb. 20)
4. Gehen Sie sicher, dass Sie den Kamin innerhalb von 1 m einer Steckdose aufbauen (Abb. 21)

Installation in Wand oder Aussparung

1. Notieren Sie die Produktmaße in Abb. 1 und bauen Sie eine passende Struktur, in die das Gerät passt, innerhalb von 1 m einer Steckdose (Abb. 22). Schrauben Sie das Gerät mit passenden Schrauben (nicht mitgeliefert) fest
2. Beachten Sie die Lüftungsschlitze des Geräts. Sie befinden sich an der Frontbasis und unter dem Gerät
3. Bauen Sie die Wand gegen das Gerät. Nutzen Sie dabei die Abstandhalter als Richtlinie.
4. **Auf der Vorderseite der Struktur muss sich ein Luftschaft von mindestens 88 cm² befinden. Es ist wichtig, zu gewährleisten, dass Luft in das Gerät gelangen kann – ansonsten wird der Opti-myst Flammeneffekt nicht korrekt funktionieren. Dieser Luftweg darf nicht blockiert werden Beispiele für Luftschächte in einer Wand oder Aussparung sehen Sie in Abb. 23**

Anschluss der Transducer-Einheit und Lampen

1. Lockern Sie die beiden roten Laschen, indem Sie sie um 90 Grad drehen (Abb. 2).
2. Heben Sie die Wannendüse heraus (Abb. 3).
3. Führen Sie Lampen in die Lampenhalter (Abb. 4), indem Sie vorsichtig die Nadeln in die Löcher stecken (Abb. 4a)
4. Die Lampen fest drücken.
5. Platzieren Sie die Transducer-Einheit in die Wanne und verbinden Sie das Kabel mit der Verbindung an der Wanne (Abb. 5).
6. Wenn die Transducer-Einheit korrekt an der Wanne befestigt ist, sollte die Transducer-Einheit mit der Vertiefung an der Wanne übereinstimmen (Abb. 5a).
7. Gehen Sie sicher, dass sich das Kabel nicht über der Platte der Transducer-Einheit befindet (Abb. 5b). Um zu vermeiden, dass das Kabel zwischen Düse und Wanne eingeklemmt wird, platzieren Sie es in den Schlitz an der Wannwand.
8. Setzen Sie die Wannendüse wieder ein und befestigen Sie sie, indem Sie die beiden roten Laschen um 90 Grad drehen (Abb. 6).

Füllen des Wassertanks

9. Stellen Sie den Wassertank in die Spüle und entfernen Sie die Kappe (zum Öffnen gegen den Uhrzeigersinn drehen) (Abb. 7)
10. Befüllen Sie den Wassertank **ausschließlich mit gefiltertem Leitungswasser**. Dies ist notwendig, um die Lebensdauer der Flammen- und Rauch erzeugenden Einheit zu verlängern. Das Wasser sollte durch eine herkömmliche Haushaltswasserfiltereinheit gefiltert werden und der Filter sollte regelmäßig ersetzt werden. Destilliertes Wasser darf **nicht** Genutzt werden.
11. Schrauben Sie die Kappe wieder fest – **ohne sie zu fest zu ziehen**.
12. Stellen Sie den Wassertank mit dem Tankdeckel nach unten und der flachen Seiten nach außen zeigend in die Wanne (Abb. 8).

Montage des Feuers

13. Platzieren Sie das Brennstoffbett oben auf den Wassertank und die Nebeldüse (Abb. 9).

Bedienung des Produkts

VORSICHT: NICHTBEACHTUNG DIESER BETRIEBSANLEITUNG KANN ZU VERLETZUNGEN UND/ODER BESCHÄDIGUNGEN FÜHREN.


Manuelle Bedienelemente


Die Bedienelemente des Opti-myst-Handbuchs befinden sich an der Unterseite des Geräts.

(Siehe Abb. 2 für das Layout der manuellen Bedienelemente)

Schalter ‚A‘: - Steuert die Stromversorgung zum Feuer.

Hinweis: Dieser Schalter muss sich in der Position „AN“ (I) befinden, damit das Feuer bei Aktivierung aktiviert oder deaktiviert werden kann.

Schalter ‚B‘: - Drücken  einmal um den Flammeneffekt einzuschalten. Dies wird durch einen Piepton angezeigt. Obwohl die Hauptbeleuchtung sofort funktioniert, dauert es weitere 45 Sekunden, bis der Flammeneffekt einsetzt.

Drücken Sie  um Feuer in den Standby-Modus zu bringen. Dies wird durch einen Piepton angezeigt.

Fernbedienung

Die Fernbedienung ist mit 2 AA Batterien in einer Tasche verpackt. Heben Sie die Batterieabdeckung an der Rückseite der Fernbedienung ab und legen Sie die Batterien unter Beachtung der Polarität ein.

Einschalten des Gerätes

Drücken und halten Sie die Eingabetaste für 3 Sekunden, um die Fernbedienung zu aktivieren. FEUER wird angezeigt und AN wird blinken. Drücken Sie EINGABE, um das Gerät einzuschalten. Um das Gerät auszuschalten, drücken Sie MENÜ, so dass FEUER blinkt, drücken Sie zweimal EINGABE.

Passen Sie die Flammeneinstellung an

Bei eingeschalteter Fernbedienung einmal drücken. FEUER wird auf dem Display blinken. Drücken Sie EINGABE. Die aktuelle Flammeneinstellung wird F1-F6 angezeigt. Passen Sie die Einstellung mit den Tasten AUF und AB an. Wenn Sie Ihre Flammeneinstellung ausgewählt haben, drücken Sie zweimal ZURÜCK, um das Menü zu verlassen und zum Startbildschirm zurückzukehren.

Einschalten der Hitze

Bei eingeschalteter Fernbedienung einmal MENÜ drücken. FEUER wird auf dem Display blinken. Drücken Sie einmal ADV, HITZE wird blinken. Drücken Sie die Eingabetaste. Die aktuelle Heizstufe wird OFF LO HI angezeigt. Passen Sie die Einstellung mit den Tasten AUF und AB an. Nachdem Sie Ihre Flammeneinstellung ausgewählt haben, drücken Sie EINGABE.

Einstellen des Thermostats

Die auf dem Display angezeigte Temperatur ist der Raumtemperatur-Sollwert. Dies ist die Temperatur, die das Heizgerät während der Heizperioden aufrechterhält. Wenn die Raumtemperatur über dieser Temperatur liegt, funktioniert die Heizung nicht. Die Heizung verlässt das Werk mit einer auf 15 °C eingestellten Temperatur, was eine typische angenehme Raumtemperatur darstellt. Wenn Sie eine andere Raumtemperatur benötigen, drücken Sie auf dem Startbildschirm entweder auf oder ab, bis das Display die gewünschte Temperatur anzeigt.

Thermischer Schutzschalter

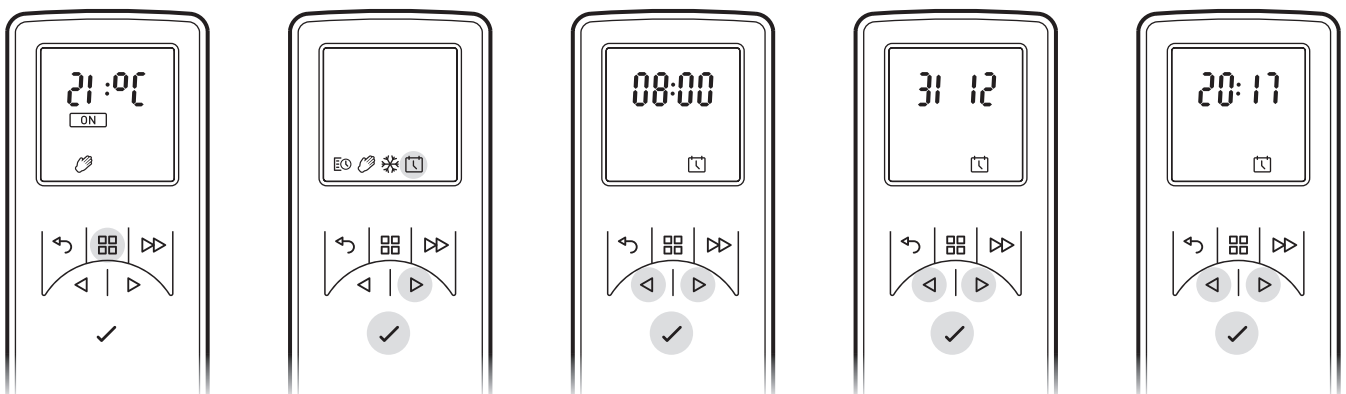
Eine thermische Sicherheitsabschaltung ist im Heizlüfter integriert, um Schäden durch Überhitzung zu vermeiden. Dies kann passieren, wenn der Wärmeauslass in irgendeiner Weise eingeschränkt ist. Wenn der Ausschnitt funktioniert, ziehen Sie das Heizgerät aus der Steckdose und warten Sie ca. 10 Minuten, bevor Sie es wieder anschließen. Bevor Sie das Heizgerät wieder einschalten, entfernen Sie alle Hindernisse, die den Wärmeauslass einschränken könnten, und fahren Sie dann mit dem normalen Betrieb fort.

VORSICHT: Um Gefahren aufgrund unbeabsichtigter Zurücksetzung des Thermoauslösers zu vermeiden, darf das Gerät nicht an ein externes Schaltgerät angeschlossen werden, wie etwa ein Zeitschaltgerät oder an einen Stromkreis, der regelmäßig von der Stromversorgung an- und ausgeschaltet wird.

Einstellen von Datum und Uhrzeit

Einstellen des Datums und der Uhrzeit auf der Heizung;

1. Drücken Sie die Menü-Taste
2. Drücken Sie die ^-Taste 4 mal
3. Drücken Sie die Eingabetaste, wenn das Symbol für Datum und Uhrzeit blinkt
4. Drücken Sie die Eingabetaste, um die Uhrzeit einzustellen
5. Drücken Sie v und ^, um die Stunde einzustellen, drücken Sie die Eingabetaste
6. Drücken Sie v und ^, um die Minuten einzustellen, drücken Sie die Eingabetaste, um die Uhrzeit zu bestätigen
7. Drücken Sie v und ^, um den Tag einzustellen, drücken Sie die Eingabetaste
8. Drücken Sie v und ^, um den Monat einzustellen, drücken Sie die Eingabetaste
9. Drücken Sie v und ^, um das Jahr einzustellen, drücken Sie die Eingabetaste, um das Datum zu bestätigen



Betriebsarten für den Fernbetrieb

Benutzer-Timer: Bietet dem Benutzer größtmögliche Flexibilität. Vier Mal Slots stehen den ganzen Tag über zur Verfügung und können für jeden Wochentag angepasst werden. Anweisungen zur Anpassung der werksseitig eingestellten Zeitspannen und Temperaturen finden Sie unter „Einstellen der Timer-Modi“.

Manueller Modus: Dieser Modus erwärmt den Raum auf die Temperatur, auf die Sie die Fernbedienung eingestellt haben.

Frostschutz: In diesem Modus wird eine Raumtemperatur von 7 °C beibehalten. Dieser Modus sollte verwendet werden, um Frostschutz zu bieten, wie durch das Frostsymbol angezeigt.

Auswählen und Einstellen eines Modus

Benutzer-Timer - Um die werkseitig voreingestellten Timer-Modi neu zu programmieren:

1. Drücken Sie die Menü-Taste
2. Drücken Sie ^ einmal zum Zeitplan. Das Symbol blinkt. Drücken Sie die Eingabetaste
3. Drücken Sie zweimal ^ und dann die Eingabetaste
Tage der Wochen werden jetzt am oberen Bildschirmrand angezeigt
Tag 1 = Montag
Tag 2 = Dienstag
Tag 3 = Mittwoch
Tag 4 = Donnerstag
Tag 5 = Freitag
Tag 6 = Samstag
Tag 7 = Sonntag
4. Drücken Sie die Eingabetaste, um Tag 1 zu ändern, oder drücken Sie ^, um zum gewünschten Tag zu navigieren, und drücken Sie die Eingabetaste, um auszuwählen
5. P1 wird auf dem Bildschirm angezeigt
6. Drücken Sie die Eingabetaste, um P1 auszuwählen. Um zu P2, P3 oder P4 zu navigieren, drücken Sie ^ und drücken Sie die Eingabetaste, um auszuwählen
7. AN wird hervorgehoben, drücken Sie die Eingabetaste, um die Einschaltzeit einzustellen
8. Drücken Sie v oder ^, um die Ein-Stunden-Zeit einzustellen, drücken Sie die Eingabetaste, um zu bestätigen
9. Drücken Sie v oder ^, um die Ein-Minuten-Zeit einzustellen, drücken Sie die Eingabetaste, um zu bestätigen
10. Drücken Sie v oder ^, um die Temperatureinstellung anzupassen, drücken Sie zum Bestätigen die Eingabetaste
11. Drücken Sie v oder ^, um die Aus-Stunden-Zeit einzustellen. Drücken Sie zum Bestätigen die Eingabetaste
12. Drücken Sie v oder ^, um die Aus-Minuten-Zeit einzustellen, drücken Sie die Eingabetaste, um zu bestätigen

Drücken Sie die Eingabetaste, um das Programm P2 zu ändern, folgen Sie den Schritten 5-12, und drücken Sie ^, um zu P3 zu springen

Drücken Sie die Eingabetaste, um Programm P3 zu ändern, befolgen Sie die Schritte 5-12, und drücken Sie ^, um zu P4 zu springen

Drücken Sie die Eingabetaste, um das Programm P4 zu ändern. Führen Sie die Schritte 5-12 aus

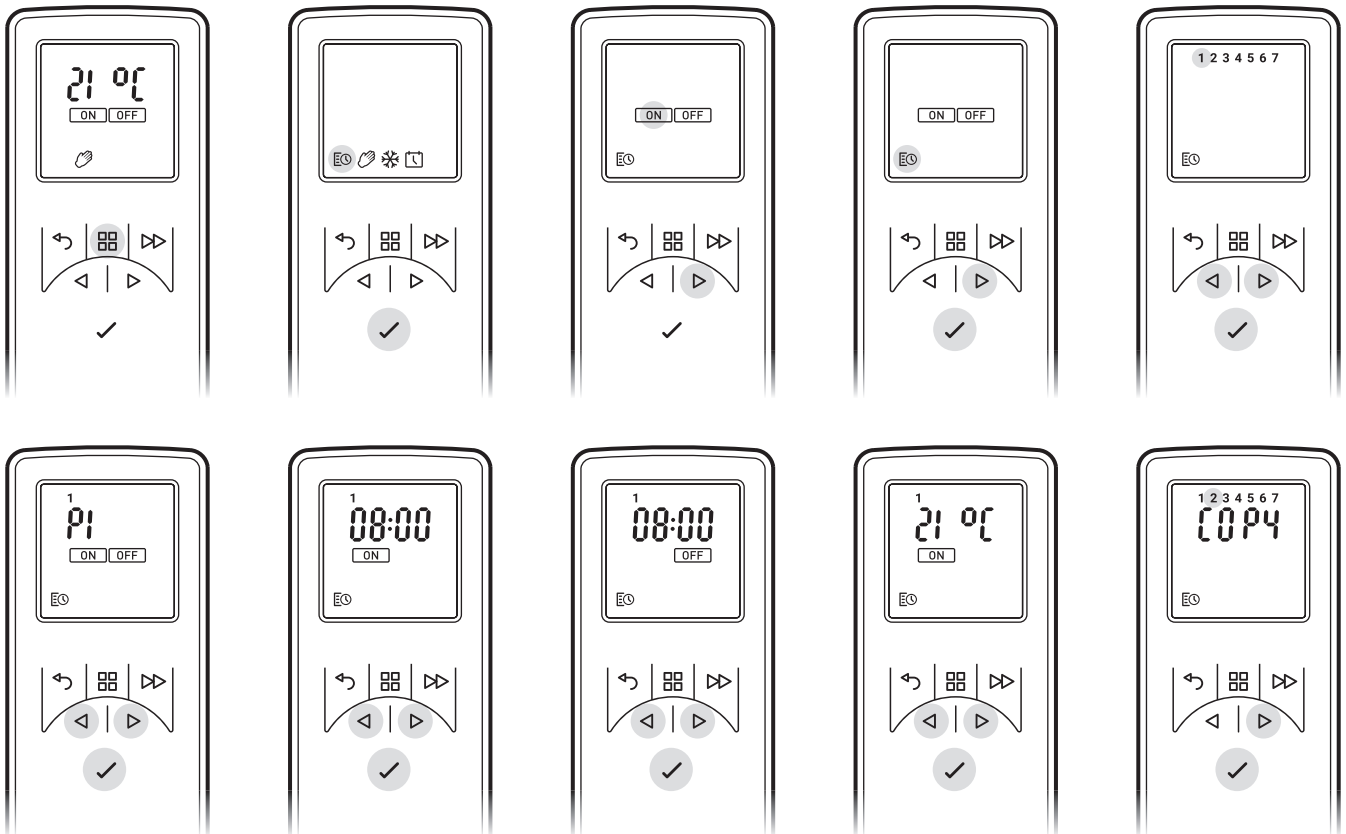
Um neu programmierte P1-P4-Heizprogramme auf andere Tage zu kopieren, drücken Sie die Eingabetaste.

Die Kopie wird auf dem Bildschirm angezeigt

Um zum nächsten Tag in Folge zu kopieren, drücken Sie die Taste ^. Um den nächsten Tag der Reihe nach abzuwählen, drücken Sie die Eingabetaste.

Die ausgewählten Wochentage werden oben auf dem Bildschirm angezeigt. Die Tage, die abgewählt wurden, werden nicht sichtbar sein (siehe Diagramme).

Drücken Sie zur Bestätigung die Eingabetaste, die Hintergrundbeleuchtung blinkt und Sie kehren zum Startbildschirm zurück.

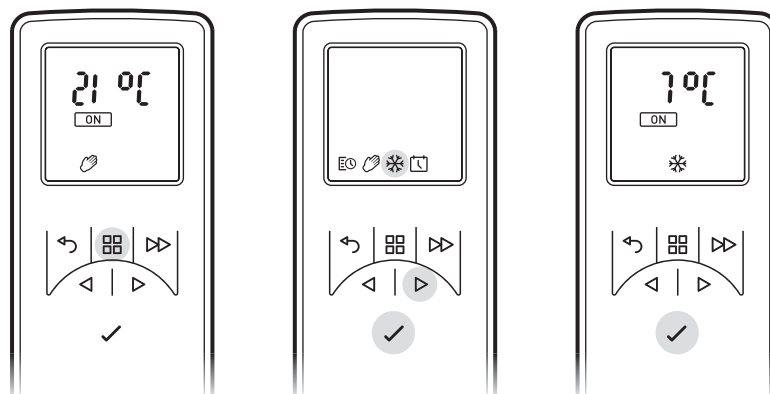


Manueller Modus - Um einen konstanten Wärmemodus zu wählen. Dieser Modus ignoriert den Benutzertimer und hält die angezeigte Temperatur aufrecht.

- Drücken Sie die Menü-Taste
- Drücken Sie zweimal \wedge , um das Handsymbol zu markieren
- Drücken Sie zur Bestätigung die Eingabetaste
- Verwenden Sie \vee und \wedge , um die gewünschte Temperatur einzustellen

Frostschutz - Der Frostschutzmodus hält eine Raumtemperatur von 7 °C während 24 Stunden aufrecht. Dieser Modus sollte verwendet werden, um Frostschutz zu bieten, wie durch das Frostsymbol angezeigt.

- Drücken Sie die Menü-Taste
- Drücken Sie dreimal \wedge , um das Schneeflockensymbol zu markieren
- Drücken Sie zur Bestätigung die Eingabetaste
- Drücken Sie \vee oder \wedge , um diesen Modus zu verlassen und in den manuellen Modus zu wechseln.



Den gewünschten Flammeneffekt erhalten

1. Drücken Sie auf der Fernbedienung auf MENÜ, FEUER auf dem Display blinkt, und drücken Sie EINGABETASTE. Die aktuelle Einstellung wird angezeigt. Drücken Sie \wedge oder \vee , um zwischen F1 und F6 umzuschalten. F1 ist die niedrigste Einstellung und F6 ist die höchste Einstellung.
2. Im Allgemeinen erscheinen die Flammen realistischer, wenn die Flammenkontrolle heruntergeregelt wird.
3. Geben Sie dem Flammengenerator Zeit, um auf Änderungen zu reagieren, die Sie vornehmen.
4. Das Feuer wird weniger Wasser verbrauchen, wenn der Flammeneffekt auf ein niedrigeres Niveau eingestellt ist.
5. Kippen oder bewegen Sie das Feuer nicht, solange Wasser im Tank oder in der Wanne ist.
6. Stellen Sie sicher, dass das Feuer auf einem ebenen Boden ist.

Anpassen der Anzeige

Der maximale Temperatursollwert des Produkts beträgt 32 °C. Sie können diesen Sollwert verringern. Sie können auch von °C auf °F

1. Drücken Sie die Menü-Taste
2. Drücken Sie zweimal die Taste ADV - SP wird blinken.
3. Drücken Sie zur Bestätigung die Eingabetaste
4. Drücken Sie v oder ^, um zwischen °C und °F.
5. Drücken Sie zur Bestätigung die Eingabetaste
6. Drücken Sie v oder ^, um den maximalen Temperatursollwert zu wählen.
7. Drücken Sie zur Bestätigung die Eingabetaste
8. Drücken Sie dreimal ZURÜCK, um zum Startbildschirm zurückzukehren.

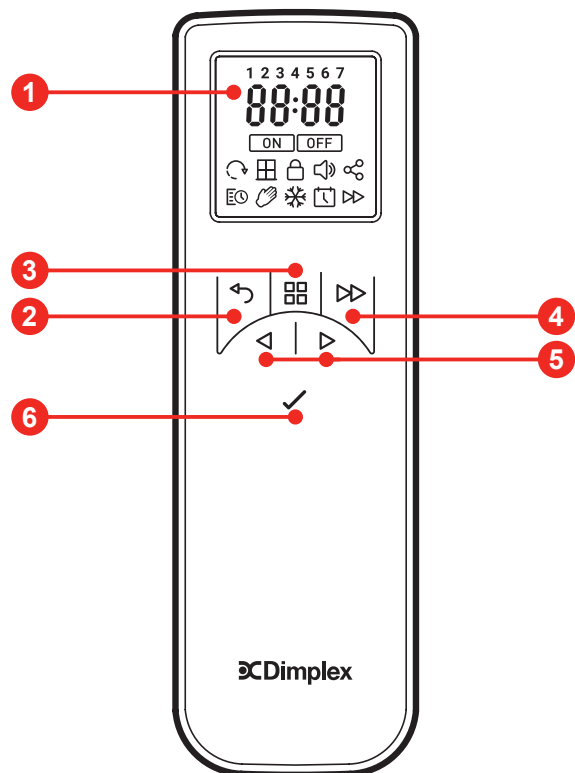
Adaptiver Start

Die eingebaute Elektronik in diesem Gerät hat eine Lernfunktion hinsichtlich der Heizdauer eines Raumes. Nachdem Sie erfahren haben, wie schnell es Ihren Raum aufheizen kann, kann das Gerät genau zur richtigen Zeit eingeschaltet werden, um den Raum auf eine angenehme Temperatur zu bringen, wenn Sie es wünschen. Wenn Sie beispielsweise um 7 Uhr aufstehen, müssen Sie normalerweise raten, wann die Heizung eingeschaltet wird, damit der Raum rechtzeitig vorgeheizt wird. Je nachdem, wie kalt es draußen ist, kann dies bedeuten, dass der Raum noch kalt ist, wenn man aus dem Bett aufstehen muss oder dass es eine halbe Stunde lang warm war, bevor es nötig war. Adaptiver Start bedeutet, dass die Heizung bei einer Temperatur von 21 °C um 7:00 Uhr genau dann anschaltet, wenn sie benötigt wird, um dieses Ziel zu erreichen. Bei mildem Wetter läuft sie für kürzere Zeiträume und stellt sicher, dass der Raum angenehm warm ist Winter.

Die Adaptive Start-Funktion wird automatisch aktiviert, wenn Sie den Timer-Modus verwenden.

Fernbedienung

- 1 Anzeigebildschirm
- 2 „Zurück“-taste
- 3 Menü-taste
- 4 „Weiterschalt“-taste
- 5 „Auf und Ab“ Pfeile
- 6 Eingabetaste



Wartung

ALLGEMEINE HINWEISE

Verwenden Sie in diesem Gerät nur gefiltertes Leitungswasser.

Stellen Sie immer sicher, dass das Gerät auf einer ebenen Fläche steht.

Wenn Sie das Gerät länger als 2 Wochen nicht benutzen, entfernen und entleeren Sie die Wanne und den Wassertank. Einmal installiert, bewegen Sie dieses Gerät niemals und legen Sie es nicht auf den Rücken, ohne das Wasser aus der Wanne und dem Wassertank abzulassen.

Das Gerät sollte niemals in Betrieb genommen werden, wenn die Lampen nicht funktionieren.

Die Lampen sollten regelmäßig gemäß der Beschreibung unter „Lampenwechsel“ überprüft werden.

FÜLLEN DES WASSERTANKS

Wenn der Wassertank leer ist, wird der Flammen- und Raucheffect ausgeschaltet und Sie hören 2 akustische Signaltöne. Befolgen Sie folgende Schritte.

1. Bringen Sie Schalter „A“ auf (0) (Abb. 10)

2. Heben Sie das Brennstoffbett vorsichtig heraus und legen Sie es vorsichtig zur Seite.
3. Entfernen Sie den Wassertank, indem Sie ihn nach oben und außen heben.
4. Stellen Sie den Wassertank in die Spüle und entfernen Sie die Kappe. Zum Öffnen gegen den Uhrzeigersinn drehen. (Abb. 7)
5. Füllen Sie den Tank mit **ausschließlich mit gefiltertem Leitungswasser**. Dies ist notwendig, um die Lebensdauer der Flammen- und Rauch erzeugenden Einheit zu verlängern.
Das Wasser sollte durch eine herkömmliche Haushaltswasserfiltereinheit gefiltert werden und der Filter sollte regelmäßig ersetzt werden.
6. Schrauben Sie die Kappe wieder auf, nicht zu fest anziehen.
7. Stellen Sie den Tank mit dem Tankdeckel nach unten und der flachen Seiten nach außen zeigend wieder in die Wanne. (Abb. 8)
8. Setzen Sie das Brennstoffbett vorsichtig wieder in Position. (Abb. 9)
9. Bringen Sie Schalter „A“ auf die Position „AN“ **(I)** (Abb. 10)

LAMPENWECHSEL

Wenn die Flamme und der Raucheffect grau oder farblos erscheinen, kann es sein, dass eine oder mehrere Lampen ausgefallen sind.

Sie können den Lampenfehler wie folgt prüfen.

1. Lassen Sie den Flammeneffekt an und heben Sie das Brennstoffbett und den Wassertank heraus.
2. Es sollte möglich sein, die Lampen zu sehen, ohne die Düse zu entfernen, um zu sehen, welche Lampe gewechselt werden muss.
3. Schalten Sie Schalter „A“ auf Position „AUS“ und ziehen Sie den Netzstecker des Feuers.
4. Lassen Sie das Gerät 20 Minuten lang stehen, damit die Lampen abkühlen können, bevor Sie sie entfernen.
5. Entfernen Sie die Wanne wie in der Reinigung beschrieben.
6. Entfernen Sie die defekte Lampe, indem Sie sie vorsichtig vertikal anheben und die Stifte vom Lampenhalter lösen (siehe Abb. 4 und 4a).
Ersetzen Sie mit einer OPTIMYST, 12 V, 45 W, Gu5.3 Basis, 8° Abstrahlwinkel, farbigen Lampe. (Von Ihrem Lieferanten gekauft)
7. Führen Sie die beiden Stifte der neuen Lampe vorsichtig in die zwei Löcher im Lampenhalter ein. Fest drücken. (Abb. 4 und 4a).
8. Setzen Sie die Wanne, Düse, den Wassertank und das Brennstoffbett wieder ein.

REINIGUNG

Warnung – Den Schalter „A“ immer auf die Position „AUS“ stellen **(0)** (Abb. 10) und von der Stromversorgung lösen, bevor das Gerät gereinigt wird.

Wir empfehlen, die folgenden Komponenten, insbesondere in Gebieten mit hartem Wasser, alle 2 Wochen zu reinigen:-

Wassertank, Wanne, Düse, Tankdeckel und Dichtung, Luftfilter.

Zur allgemeinen Reinigung ein weiches, sauberes Staubtuch verwenden. Niemals mit aggressiven Reinigern behandeln.

Zum Entfernen von Staub oder Flusen vom Wärmeabzuggrill des Heizgeräts kann von Zeit zu Zeit der weiche Bürstenaufsatz des Staubsaugers verwendet werden.

Wassertank

1. Entfernen Sie den Wassertank, wie zuvor beschrieben, in die Spüle und leeren Sie das Wasser.
2. Mit der mitgelieferten Bürste die Innenflächen der Kappe vorsichtig reiben, wobei der Gummiring in der äußeren Nut und der mittleren Gummidichtung besonders zu beachten ist.
3. Eine kleine Menge Spülmittel in den Tank geben, die Kappe wieder aufsetzen und gut schütteln, ausspülen, bis alle Spuren von Spülmittel verschwunden sind.
4. Füllen Sie nur gefiltertes Leitungswasser nach, ersetzen Sie die Kappe, ziehen Sie sie nicht zu fest an.

Wanne

1. Bringen Sie Schalter „A“ auf die Position **(0)** AUS.
2. Heben Sie das Brennstoffbett vorsichtig heraus und legen Sie es vorsichtig auf den Boden.
3. Entfernen Sie den Wassertank, indem Sie ihn nach oben heben.
4. Trennen Sie die elektrische Verbindung auf der rechten Seite der Wanne. (Abb. 5).
5. Lösen Sie die rechten Sperrhaken der Wanne, indem Sie sie um 90° drehen. Dadurch kann der Wannenbehälter vollständig von seiner Position angehoben werden. (Abb. 11)
6. Heben Sie die Wanne vorsichtig an und achten Sie darauf, dass sie waagrecht bleibt, damit kein Wasser verschüttet wird. Setzen Sie die Montage in die Spüle.
7. Lockern Sie die linken Sperrhaken an der Wanne, indem Sie sie um 90° drehen, und heben Sie dann den Düse ab. (Abb. 3)
8. Den Transducer herausheben und vorsichtig kippen, wie gezeigt, so dass die Flüssigkeit aus der Wanne abfließt. (Abb. 13)

9. Geben Sie eine kleine Menge Spülmittel in die Wanne und reinigen Sie mit der mitgelieferten Bürste alle Oberflächen der Wanne und den Transducer einschließlich der Metallscheiben auf der oberen gerillten Oberfläche vorsichtig. (Abb. 14)
10. Spülen Sie die Wanne bei der Reinigung gründlich mit klarem Wasser, um jegliche Spuren von Spülmittel zu entfernen.
11. Reinigen Sie die Düse mit der Bürste und spülen Sie diese gründlich mit Wasser aus. (Abb. 15)
12. Kehren Sie die obigen Schritte zum erneuten Zusammensetzen um.

Luftfilter

1. Heben Sie das Brennstoffbett vorsichtig heraus und legen Sie es vorsichtig auf den Boden.
2. Schieben Sie den Luftfilter vorsichtig nach oben aus dem Plastikhalter heraus. (Abb. 16)
3. Spülen Sie sie vorsichtig mit Wasser in der Spüle ab und trocknen Sie sie mit einem Stoffhandtuch, bevor Sie zurückgehen.
4. Tauschen Sie den Filter aus und vergewissern Sie sich, dass der grobe schwarze Filter zur Vorderseite des Feuers zeigt.
5. Platzieren Sie das Brennstoffbett erneut.

Zusätzliche Informationen

SERVICE NACH DEM VERKAUF

Die Produktgarantie besteht zwei Jahre lang nach Kaufdatum. Innerhalb dieses Zeitraums übernehmen wir Reparatur oder Austausch dieses Produkts kostenlos (nach Verfügbarkeit und ausgenommen der Lampen), wenn das Gerät gemäß dieser Anleitung installiert und betrieben wurde. Die Rechte unter dieser Garantiegewährleistung verstehen sich zusätzlich zu den gesetzlichen Rechten, die wiederum nicht durch diese Garantie beeinflusst werden.

RECYCLING



Für elektrische Produkte, die innerhalb der Europäischen Gemeinschaft verkauft werden – Nach Ende der Lebensspanne des elektrischen Gerätes darf dies nicht im Haushaltsabfall entsorgt werden. Bitte bei den entsprechenden Einrichtungen recyceln. Holen Sie sich Ratschläge zum Recyceln bei Ihren örtlichen

Behörden oder Ihrem Einzelhändler für Ihr Land ein.

PATENT / PATENTANMELDUNG

Produkte der Optimyst-Reihe sind durch eines oder mehrere der folgenden Patente und Patentanmeldungen geschützt:

Großbritannien GB 2402206, GB 2460259, GB 2460453, GB 2418014, GB 2465738, GB 2449925, GB 2465537, GB 2455277, GB1020534.2, GB1020537.5, GB1110987.3
 USA US 7967690, US 2010299980, US 2011062250, US 2008028648, US 13/167,042
 Russland RU2008140317
 Europa EP 2029941, EP 2201301, EP 2315976, EP 1787063, EP07723217.1, EP11170434.2, EP 11170435.9
 China CN 101883953, CN 200980128666.2, CN 101057105, CN 101438104
 Australien AU 2009248743, AU 2007224634
 Kanada CA 2725214, CA 2579444, CA 2645939
 Internationale Patentanmeldung WO 2006027272
 Südafrika ZA 200808702
 Mexiko MX 2008011712
 Korea KR 20080113235
 Japan JP 2009529649
 Brasilien BR P10708894-9
 Indien IN 4122/KOLNP/2008
 Neuseeland NZ 571900

Problemlösung		
Symptom	Ursache	Korrekturmaßnahme
Der Flammeneffekt wird nicht starten.	<p>Netzstecker ist nicht eingesteckt.</p> <p>Niedriger Wasserstand.</p> <p>Niederspannungsstecker nicht korrekt angeschlossen. (Abb. 5)</p> <p>Die Wandlereinheit sitzt nicht richtig in der Wanne.</p>	<p>Überprüfen Sie, ob der Stecker korrekt an der Steckdose angeschlossen ist.</p> <p>Überprüfen Sie, ob der Wassertank voll ist und es gibt Wasser in der Wanne.</p> <p>Überprüfen Sie, ob der Stecker richtig eingesteckt ist. (Abb. 5)</p> <p>Stellen Sie sicher, dass sich der Wandler in der Vertiefung in der Wanne befindet.</p>
Der Flammeneffekt ist zu niedrig.	<p>Der Flammeneffekt-Knopf ist zu niedrig eingestellt. (Abb. 10)</p> <p>Die Metallscheibe im Wandler könnte schmutzig sein (siehe Abb. 14).</p> <p>Der Draht von der Wandlereinheit sitzt über der Metallscheibe.</p>	<p>Erhöhen Sie das Flammenniveau mit der Fernbedienung (siehe Abschnitt „Bedienung des Produkts“).</p> <p>Reinigen Sie die Metallscheibe mit der mitgelieferten weichen Bürste. (Siehe Abb. 14) Siehe „Instandhaltung“ für eine Schritt-für-Schritt-Anleitung.</p> <p>Richten Sie den Draht auf die Rückseite der Wanne und achten Sie darauf, dass er in den seitlichen Schlitz der Wanne passt.</p>
Unangenehmer Geruch wenn Gerät benutzt wird.	<p>Schmutziges oder abgestandenes Wasser.</p> <p>Mit ungefiltertem Wasser.</p>	<p>Reinigen Sie das Gerät wie unter Instandhaltung beschrieben.</p> <p>Verwenden Sie nur gefiltertes Leitungswasser.</p>
Der Flammeneffekt hat zu viel Rauch.	Die Flammeneffekt-Einstellung ist zu hoch.	Drehen Sie den Flammeneffekt mit dem Kontrollknopf „D“ nach rechts, jeweils um etwa eine Viertel Drehung. Geben Sie dem Flammengenerator Zeit, um auf die neue Einstellung zu reagieren, bevor Sie ihn weiter erhöhen. (Abb. 10)
Hauptlampen funktionieren nicht und es gibt keine Flammen oder Rauch.	Es gibt kein Wasser im Wassertank.	<p>Befolgen Sie die Anweisungen unter Wartung „Füllen des Wassertanks“</p> <p>Stellen Sie sicher, dass der Stecker richtig an der Steckdose angeschlossen ist und dass der Schalter „A“ Abb. 10 in der Position AN (I) steht.</p>

Introductie

Lees deze informatiehandleiding zorgvuldig door voor het veilig installeren, gebruiken en onderhouden van uw product.

Belangrijke veiligheidsmededeling

OPGELET: HET NIET OPVOLGEN VAN DEZE INSTRUCTIES KAN LETSEL EN/OF SCHADE VEROORZAKEN EN UW GARANTIE TENIET DOEN

Belangrijke veiligheidsmededeling

Bij gebruik van elektrische apparaten dienen basisvoorzorgmaatregelen altijd in acht genomen te worden om het risico op brand, elektrische schokken en verwondingen bij personen te voorkomen, inclusief de volgende voorzorgsmaatregelen:

- Neem contact op met de leverancier als het apparaat beschadigd is voordat u het installeert of in gebruik neemt.
- Niet buiten gebruiken.
- Niet in de direct omgeving van een bad, douche of zwembad gebruiken.
- Het apparaat niet rechtstreeks onder een vast stopcontact of aansluitdoos plaatsen.

Waarschuwing: Gebruik deze kachel niet voor andere doeleinden dan voor huishoudelijke doeleinden, in het land waar hij bij een erkende detailhandelaar werd gekocht.

Dit apparaat kan worden bediend door kinderen van 8 jaar en ouder en door personen met verminderde fysieke, zintuiglijke of geestelijke capaciteiten of gebrek aan ervaring en kennis als zij onder supervisie staan of instructies krijgen ten aanzien van het veilige gebruik van het apparaat en begrijpen welke gevaren zich kunnen voordoen. Kinderen mogen niet met het apparaat spelen. Reinigen en onderhoudswerkzaamheden mogen niet door kinderen zonder supervisie uitgevoerd worden.

Kinderen van 3 jaar of jonger moeten uit te buurt gehouden worden behalve bij constante supervisie. Kinderen vanaf 3 jaar maar jonger dan 8 jaar mogen het apparaat alleen aan/uit zetten op voorwaarde dat deze in de normale functioneringspositie is geplaatst of geïnstalleerd en ze begeleiding of instructie hebben gekregen ten aanzien van het veilige gebruik van het apparaat en de betreffende gevaren begrijpen. Kinderen ouder dan 3 en jonger dan 8 jaar mogen de stekker van het apparaat niet in het stopcontact steken, hem instellen en reinigen of onderhoudswerkzaamheden uitvoeren.

Waarschuwing: Dit apparaat moet worden geaard.

Het gebruik van een verlengsnoer of een adapter voor meerdere stekkers wordt afgeraden bij het aansluiten van dit product op het lichtnet. Het aansluiten met behulp van deze hulpmiddelen kan tot overbelasting, oververhitting en zelfs brand van het verlengsnoer of de adapter leiden als gevolg van onvoldoende kwaliteit van de verbinding.

Deze kachel mag alleen worden gebruikt via een stopcontact met wisselstroom en de spanning die op de haard staat vermeld, moet overeenkomen met de voedingsspanning.

Gebruik dit apparaat niet in serie geschakeld met een thermische bediening, een programmabediening, aangezien er risico op brand bestaat als de verwarming per ongeluk wordt afgedekt of verplaatst.

Gebruik de kachel NIET op hoogpolige tapijten, op kleden met een lang haartype of op minder dan 750 mm (30 inches) afstand van enig overhangend oppervlak/materiaal. Houd brandbare materialen, zoals gordijnen en ander meubilair, weg van de voorkant, de zijkanten en achterkant van de kachel. Gebruik de kachel niet om uw was te drogen.

Haal in het geval van een storing de stekker van het apparaat uit het stopcontact. Haal de stekker van het apparaat uit het stopcontact als hij langere tijd niet wordt gebruikt.

Het apparaat moet zodanig gepositioneerd worden dat de stekker bereikbaar is. Als het snoer beschadigd is, moet hij vervangen worden door de fabrikant of servicedienst of een vergelijkbaar gekwalificeerd persoon om gevaar te vermijden. Houd het snoer uit de buurt van de voorkant van het apparaat.

Opgelet: Sommige onderdelen van dit product kunnen heel heet worden en brandwonden veroorzaken. Let extra goed op als er kinderen en kwetsbare personen in de buurt zijn.

Waarschuwing: Het apparaat niet afdekken om oververhitting te voorkomen. Geen materiaal of kleding op het apparaat leggen of de luchtcirculatie om het apparaat verhinderen door bijvoorbeeld gordijnen of meubels, aangezien dit tot oververhitting kan leiden en tot brandgevaar kan leiden.

Het apparaat heeft een NIET BEDEKKEN-waarschuwing.

Waarschuwing: Dit apparaat mag niet via een extern schakelapparaat, zoals een timer, worden gevoed of aangesloten worden op een circuit dat regelmatig door de nutsvoorziening aan en uit wordt gezet, om risico te vermijden door het per ongeluk resetten van de thermische afsluiting.

Algemene informatie

Gebruik in dit apparaat uitsluitend gefilterd water.

Zorg er altijd voor dat het apparaat op een vlakke ondergrond staat.

Hoewel deze kachel aan de veiligheidsnormen voldoet, raden wij het gebruik op hoogpolig tapijt of langharige kleden af.

Opgelet: Bij gebruik in een omgeving met weinig achtergrondgeluid kan een geluid hoorbaar zijn als het vlameffect geselecteerd wordt. Dit is normaal en is niet iets waar zorgen om gemaakt hoeft te worden.

Als dit product om welke reden dan ook een stroomstoot ervaart, kan het product worden uitgeschakeld. Dit is een normale veiligheidsfunctie. Het product hervat de werking na 30 seconden.

Eenmaal geïnstalleerd, mag dit apparaat nooit worden verplaatst of op zijn rug worden gelegd, zonder dat het water uit de opvangbak en de watertank zijn verwijderd.

Als u het apparaat langer dan 2 weken niet gebruikt, tap dan het water uit de opvangbak en het waterreservoir en maak de opvangbak droog.

Het waterreservoir, het deksel van de opvangbak, de tankdop en luchtfilters moeten om de twee weken worden gereinigd, vooral in gebieden met hard water.

Het apparaat mag nooit worden gebruikt als de lampen niet werken.

De lampen moeten regelmatig worden geïnspecteerd zoals beschreven onder 'Onderhoud' en 'Lampen vervangen'

Technische informatie

Modelnr: ENG56-400 E, ENG68-400 E, ENG56-600 E

Warmteafgifte		230 V	240 V	
Nominale warmteafgifte	$P_{\text{Nom.}}$	1,8	2,0	kW
Minimale warmteafgifte	$P_{\text{min.}}$	0,9	1,0	kW
Maximale continue warmteafgifte	$P_{\text{max.}}$	1,8	2,0	kW
Aanvullend elektriciteitsverbruik				
In de stand-bymodus	$P_{\text{Nom.}}$	0,45	0,48	W

elektronische regeling van de kamertemperatuur en weektimer

Installatie-instructies

In dit gedeelte wordt beschreven hoe u uw vuur instelt.

VOORDAT U BEGINT

1. Zorg ervoor dat alle verpakkingen verwijderd zijn (lees waarschuwingslabels zorgvuldig) en bewaar al het verpakkingsmateriaal voor mogelijk gebruik in de toekomst, bijv. in het geval van verhuizing of het terugsturen van het apparaat naar uw leverancier.
2. Controleer of de voedingsspanning van het stopcontact overeenkomt met die van het apparaat, voordat u de kachel aansluit.

Installatie in een haardmantel

1. Wanneer u dit apparaat in een haardmantel installeert, zorg er dan voor dat u een mantel kiest die geschikt is voor uw kachel (Fig. 18). **Aan de voorkant van de haardmantel moet een ventilatieopening zijn van minimaal 88 cm². Dit is essentieel om ervoor te zorgen dat er lucht in het apparaat kan circuleren - anders zal het Opti-myst-vlameffect niet juist werken. Deze luchtweg mag niet worden belemmerd**
2. Verwijder de 4 afstandsbeugels aan de voorkant van het apparaat (Fig. 19)
3. Schuif het apparaat volledig vanaf de achterkant in de haardmantel en zorg ervoor dat het zich in het midden van de mantel bevindt. Gebruik geschikte schroeven (niet bijgeleverd) en schroef het apparaat op zijn plek (Fig. 20)
4. Plaats de haard op minder dan 1 meter afstand van een stopcontact (Fig. 21)

Installatie in een muur of uitsparing

1. Noteer de productafmetingen in figuur 1 en bouw een geschikte structuur voor het apparaat binnen 1 meter van een stopcontact (Fig. 22). Gebruik geschikte schroeven (niet bijgeleverd) en schroef het apparaat op zijn plek
2. Merk de ontluchtingssleuven in het apparaat op. Deze bevinden zich aan de voorkant en onder het apparaat
3. Bouw de muur tegen het apparaat op met behulp van de afstandsbeugels als richtlijn.
4. **Aan de voorkant van de structuur moet een ventilatieopening zijn van minimaal 88 cm². Het is van essentieel belang dat lucht in het apparaat kan circuleren - anders werkt het Opti-myst-vlameffect niet correct. Deze luchtweg mag niet worden belemmerd. Zie voorbeelden van luchtroosters in een wand of uitsparing in Fig. 23**

De omzettereenheid en lampen aansluiten

1. Laat de twee rode lipjes loskomen door ze 90 graden te draaien (Fig. 2)
2. Verwijder de opvangpijp (Fig. 3)
3. Steek lampen in de lamphouders (Fig. 4) en plaats de pennen voorzichtig in de gaten (Fig. 4a)
4. Druk de lampen stevig op hun plek.
5. Plaats de omzettereenheid in de opvangbak en verbind de kabel met de connector op de opvangbak (Fig. 5)
6. Om er zeker van te zijn dat de omzettereenheid correct in de opvangbak is geplaatst, moet het lipje op de omzettereenheid uitgelijnd worden met de gegoten uitsparing in de opvangbak (Fig. 5a).
7. Zorg ervoor dat de kabel niet boven de schijf op de omzettereenheid wordt geplaatst (Fig. 5b). Om te voorkomen dat de kabel gekneld komt te liggen tussen het mondstuk en de opvangbak plaatst u de kabel in de gleuf in de wand van de opvangbak.
8. Vervang de opvangbakpijp en zet de pijp vast door de twee rode lipjes 90 graden te draaien (Fig. 6)

Het vullen van het waterreservoir

9. Plaats het waterreservoir in de gootsteen en verwijder de dop (draai tegen de klok in om hem te openen) (Fig. 7)
10. Vul de watertank **alleen met gefilterd leidingwater**. Dit is noodzakelijk om de levensduur van de vlam- en rookproducerende eenheid te verlengen. Het water moet worden gefilterd door een conventioneel waterfilter en het filter moet regelmatig worden vervangen. Gebruik **geen** gedestilleerd water.
11. Schroef de dop er weer op – **niet te vast aandraaien**.
12. Plaats het waterreservoir in de opvangbak met de reservoirdop naar beneden gericht en de platte kant van het reservoir naar buiten gericht (Fig. 8)

Het vuur monteren

13. Plaats het brandstofbed op het waterreservoir en de mistsproeier (Fig. 9)

Het systeem bedienen

WAARSCHUWING: HET NIET VOLGEN VAN DEZE BEDIENINGSINSTRUCTIES KAN LETSEL EN/OF SCHADE TOT GEVOLG HEBBEN.


Handmatige bedieningselementen


De bedieningselementen van de Opti-myst Manual bevinden zich aan de onderkant van het apparaat.

(Zie Fig. 2 voor de indeling van de handmatige bediening)

Schakelaar 'A': regelt de stroomtoevoer naar het apparaat.

Opmerking: Deze schakelaar moet in de 'AAN' (I) positie staan om de kachel te laten werken, met of zonder warmte, wanneer deze wordt geactiveerd.

Schakelaar 'B': druk er eenmaal op  op om het vlameffect in te schakelen. Dit wordt aangegeven door een hoorbare pieptoon. Hoewel de hoofdlampen onmiddellijk werken, duurt het nog 45 seconden, voordat het vlameffect begint.

Druk erop  om de kachel in de stand-bymodus te zetten. Dit wordt aangegeven door één pieptoon.

Afstandsbediening

De afstandsbediening wordt met 2 AA-batterijen in een zakje geleverd. Haal het batterijklepje aan de achterkant van de afstandsbediening omhoog en plaats de batterijen. Let daarbij op de polariteit (+ en -).

Het apparaat inschakelen

Houd de knop ENTER gedurende 3 seconden ingedrukt om de afstandsbediening te activeren. FIRE (VUUR) wordt weergegeven en AAN knippert. Druk op ENTER om het apparaat aan te zetten. Om het apparaat uit te schakelen, drukt u op MENU, zodat FIRE (VUUR) gaat knipperen, en druk u vervolgens tweemaal op ENTER.

De vlaminstelling aanpassen

Druk eenmaal met de geactiveerde afstandsbediening. Op de display verschijnt knipperend FIRE (VUUR). Druk op ENTER. De huidige vlaminstelling wordt weergegeven F1-F6. Druk op de knoppen UP (OMHOOG) en DOWN (OMLAAG) om de instelling aan te passen. Nadat u uw vlaminstelling hebt geselecteerd, drukt u tweemaal op BACK (TERUG) om het menu te verlaten en terug te keren naar het startscherm.

De warmte inschakelen

Druk eenmaal op MENU met de geactiveerde afstandsbediening. Op de display verschijnt knipperend FIRE (VUUR). Druk eenmaal op ADV en HEAT (WARMTE) zal gaan knipperen. Druk op ENTER. De huidige warmte-instelling wordt weergegeven: OFF (UIT) LO (LAAG) HI (HOOG) Druk op de knoppen UP en DOWN om de instelling aan te passen. Nadat u uw vlaminstelling hebt geselecteerd, drukt u op ENTER.

De thermostaat instellen

De temperatuur die op het display wordt weergegeven, is het instelpunt voor de kamertemperatuur. Dit is de temperatuur die de kachel tijdens de opwarmingsperioden zal aanhouden. Als de kamertemperatuur hoger is dan deze temperatuur, zal de kachel niet werken. De kachel verlaat de fabriek met deze temperatuur ingesteld op 15 °C, wat met een comfortabele kamertemperatuur overeenkomt. Als u een andere kamertemperatuur wenst, drukt u in het startscherm op omhoog of omlaag, totdat de display de door u gewenste temperatuur weergeeft.

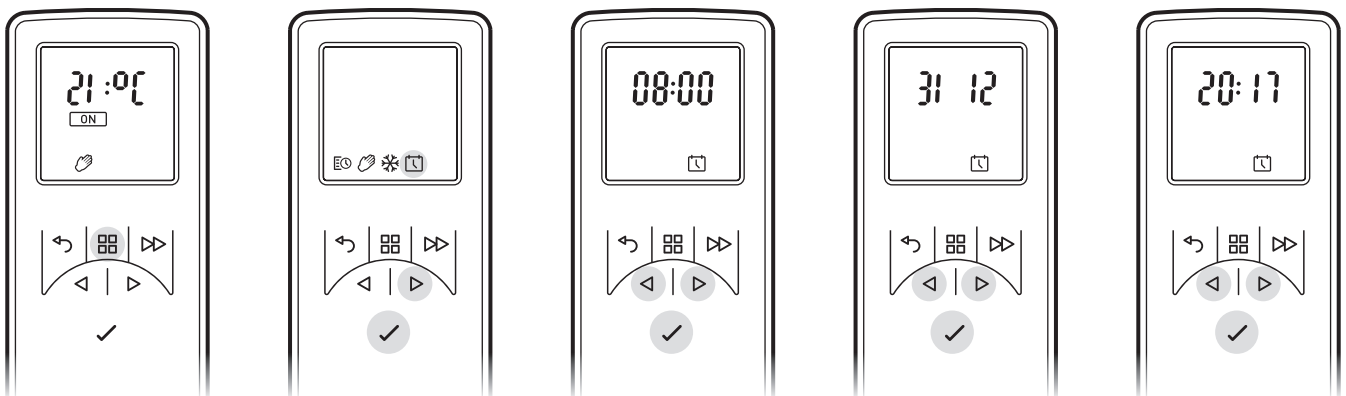
Thermische beveiliging

In de kachel is een thermische veiligheidsschakelaar ingebouwd om schade door oververhitting te voorkomen. Dat kan gebeuren wanneer de warmte-uitgang op een of andere manier is geblokkeerd. Als de uitschakeling optreedt, haal dan de stekker van de kachel uit het stopcontact en wacht ongeveer 10 minuten, voordat u hem opnieuw aansluit. Voordat u de kachel weer inschakelt, moet u eventuele obstakels verwijderen die de warmteafgifte belemmeren en vervolgens kunt u de normale inwerkingstelling voortzetten. OPGELET: Om gevaar door het onbedoeld resetten van de thermische beveiliging te voorkomen, mag dit apparaat niet worden aangesloten via een extern schakelapparaat, zoals een timer, of worden aangesloten op een systeem dat de kachel regelmatig in- en uitschakelt.

Datum en tijd instellen

Om de datum en tijd op de kachel in te stellen:

1. Druk op de Menu-knop
2. Druk 4 keer op de ^ knop
3. Druk op Enter wanneer het pictogram Datum/tijd knippert
4. Druk op Enter om de tijd in te stellen
5. Druk op v en ^ om het uur in te stellen en druk op Enter
6. Druk op v en ^ om de minuten in te stellen en druk op Enter om de tijd te bevestigen
7. Druk op v en ^ om de dag in te stellen en druk op Enter
8. Druk op v en ^ om de maand in te stellen en druk op Enter
9. Druk op v en ^ om het jaar in te stellen en druk op Enter om de datum te bevestigen



Modi van de afstandsbediening

Gebruikerstimer: Biedt gebruiker de grootste flexibiliteit. Voor iedere dag zijn er 4 tijdslots beschikbaar en deze kunnen voor elke dag van de week worden aangepast. Zie “Een modus kiezen en instellen” voor instructies over het aanpassen van deze instellingen die vanuit de fabriek een aantal standaardtemperaturen hebben meegekregen.

Handmatige modus: In deze modus wordt de kamer verwarmd tot de temperatuur, waarop u de afstandsbediening hebt ingesteld.

Vorstbescherming: In deze modus wordt een kamertemperatuur van 7 °C aangehouden. Deze modus moet worden gebruikt om bescherming tegen vorst te bieden, zoals aangegeven in het vorstpictogram.

Een modus kiezen en instellen

Gebruikerstimer - Om de fabrieksstandaards van de timer-modi opnieuw te programmeren:

1. Druk op de Menuknop
2. Druk één keer op ^ tot het schema-pictogram knippert. Druk op Enter
3. Druk tweemaal op ^ en dan op Enter
Weekdagen worden nu bovenaan het scherm weergegeven
Dag 1 = Maandag
Dag 2 = Dinsdag
Dag 3 = Woensdag
Dag 4 = Donderdag
Dag 5 = Vrijdag
Dag 6 = Zaterdag
Dag 7 = Zondag
4. Druk op Enter om Dag 1 te wijzigen of druk op ^ om naar de gewenste dag te gaan en druk vervolgens op Enter om de dag te selecteren
5. Op het scherm wordt weergegeven: P1
6. Druk op Enter om P1 te selecteren, om naar P2, P3 of P4 te navigeren, drukt u op ^ en druk daarna op Enter om te selecteren
7. ON (AAN) wordt gemarkeerd en druk op Enter om de inschakeltijd in te stellen
8. Druk op v en ^ om het uur van de inschakeltijd in te stellen en druk op Enter om te bevestigen
9. Druk op v en ^ om de minuut van de inschakeltijd in te stellen en druk op Enter om te bevestigen
10. Druk op v en ^ om de temperatuur in te stellen en druk op Enter om te bevestigen
11. Druk op v en ^ om het uur van de uitschakeltijd in te stellen en druk op Enter om te bevestigen
12. Druk op v en ^ om de minuut van de uitschakeltijd in te stellen en druk op Enter om te bevestigen

Druk op Enter om programma P2 te wijzigen, volg stappen 5-12, druk op ^ om naar P3 te gaan

Druk op Enter om programma P3 te wijzigen, volg stappen 5-12, druk op ^ om naar P4 te gaan

Druk op Enter om programma P4 te wijzigen, volg stappen 5-12

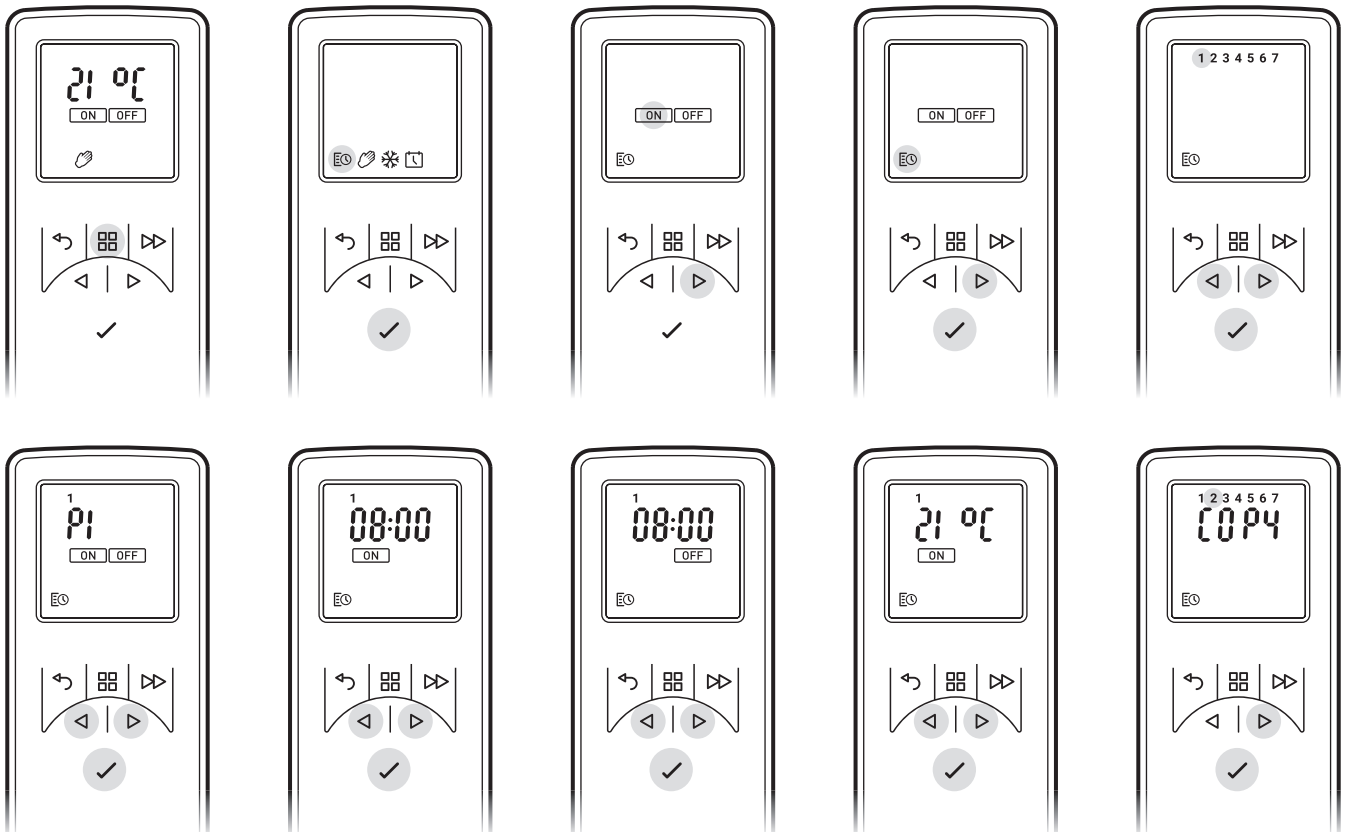
Om de nieuw geprogrammeerde instellingen van P1-P4 naar de andere dagen te kopiëren, drukt u op de Enter-knop.

Copy wordt op het scherm wordt weergegeven

Druk op de toets ^ om naar de volgende dag in de reeks te kopiëren. Om de volgende dag in de reeks te deselecteren, drukt u op de Enter-knop.

De dagen van de week die zijn geselecteerd, worden bovenaan in het scherm weergegeven. De dagen die zijn gedeselecteerd, zijn niet zichtbaar (zie diagrammen).

Druk op Enter om te bevestigen, de achtergrondverlichting knippert en u keert terug naar het startscherm.

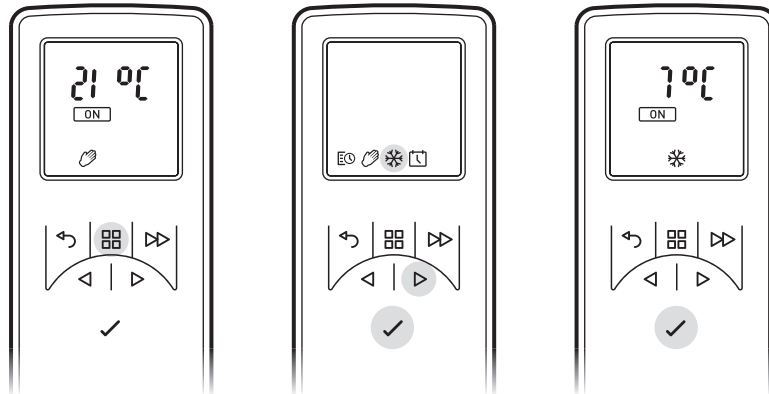


Handmatige modus - Om een constante verwarmingsmodus te kiezen. Deze modus negeert de gebruikerstimer en handhaaft de weergegeven temperatuur.

- Druk op de Menuknop
- Druk twee keer op ^ om het handpictogram te markeren
- Druk op Enter om te bevestigen
- Gebruik v en ^ om de gewenste temperatuur aan te passen

Vorstbescherming - De vorstbeschermingsmodus handhaaft een kamertemperatuur van 7 °C, gedurende een periode van 24 uur. Deze modus moet worden gebruikt om bescherming tegen bevriezing te bieden, zoals aangegeven in het vorstpictogram.

- Druk op de Menuknop
- Druk driemaal op ^ om het sneeuwvlok-pictogram te markeren
- Druk op Enter om te bevestigen
- Druk op v of ^ om deze modus te verlaten en naar de handmatige modus te gaan.



Het gewenste vlammeffect instellen

1. Druk op de afstandsbediening op MENU en op het display knippert FIRE (VUUR), druk dan op ENTER. De huidige vlaminstelling wordt weergegeven. Druk op ^ of v om tussen F1 en F6 heen en weer te gaan. F1 is de laagste instelling en F6 is de hoogste instelling.
2. In het algemeen lijken de vlammen het meest realistisch wanneer de vlamcontrole laag is ingesteld.
3. Geef de vlamgenerator de tijd om te reageren op de wijzigingen die u aanbrengt.
4. Het vuur gebruikt minder water als het vlammeffect op een lager niveau staat ingesteld.
5. Kantel of verplaats het vuur niet, terwijl er water in het reservoir of in de opvangbak zit.
6. Zorg ervoor dat het vuur zich op een vlakke vloer bevindt.

Het display aanpassen

De maximale temperatuurinstelling van het product is 32 °C. U hebt de mogelijkheid deze instelling te verlagen. U kunt ook °C in °F

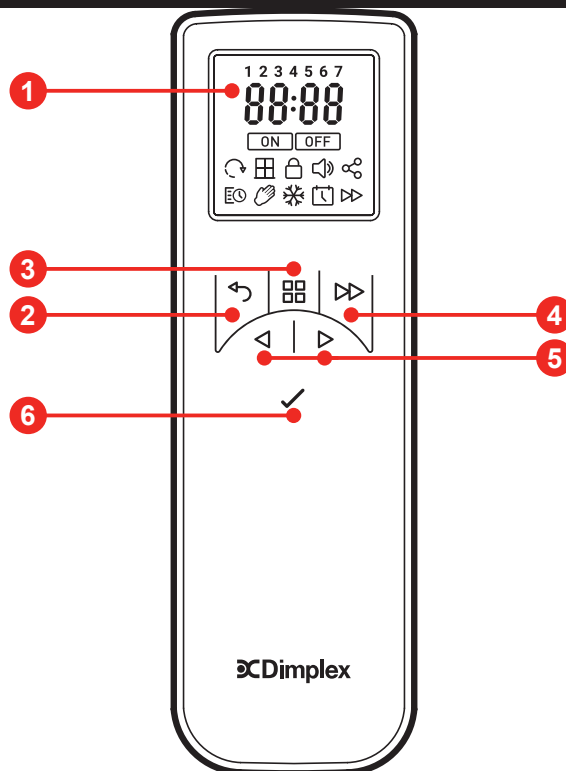
1. Druk op de Menuknop.
2. Druk tweemaal op de ADV (GEA)-knop en SP gaat knipperen.
3. Druk op Enter om te bevestigen.
4. Druk op v of ^ om te kiezen tussen °C en °F.
5. Druk op Enter om te bevestigen.
6. Druk op v of ^ om uw maximale temperatuurinstelling te kiezen.
7. Druk op Enter om te bevestigen.
8. Druk driemaal op TERUG om terug te keren naar het startscherm.

Aangepaste start

De ingebouwde elektronica in dit apparaat heeft een leerfunctie en leert zelf hoe lang het duurt om een kamer te verwarmen. Omdat het heeft geleerd hoe snel het uw kamer kan verwarmen, zal het apparaat op het juiste moment inschakelen om de kamer op een aangename temperatuur te brengen op het moment dat u dat wilt. Als u bijvoorbeeld om 7 uur 's morgens opstaat, moet u normaal gesproken gissen wanneer u de verwarming moet inschakelen om de kamer op tijd op temperatuur te krijgen. Afhankelijk van hoe koud het buiten is, kan dit betekenen dat de kamer nog steeds koud is wanneer u uit bed komt of het betekent dat het al een half uur warm is, voordat het nodig was. Aangepaste start betekent, dat wanneer u 21 °C om 7 uur 's morgens instelt, de kachel op het juiste moment aangaat om deze doeltemperatuur te halen. Bij zacht weer verwarmt de kachel minder lang, bij koud weer wat langer, zodat de kamer in de winter lekker warm is.

De Aangepaste start wordt automatisch geactiveerd wanneer u de Timermodus gebruikt.

- 1 Display
- 2 'Terug'-knop
- 3 'Menu'-knop
- 4 'Geavanceerd'-knop
- 5 'Omhoog en omlaag'-pijlen
- 6 'Enter'-knop



Onderhoud

ALGEMENE TIPS

Gebruik in dit apparaat uitsluitend gefilterd water.

Zorg er altijd voor dat het apparaat op een vlakke ondergrond staat.

Als u het apparaat langer dan 2 weken niet gebruikt, verwijder het water dan uit de opvangbak en uit het waterreservoir en maak de opvangbak droog.

Eenmaal geïnstalleerd, mag dit apparaat nooit worden verplaatst of op zijn rug worden gelegd, zonder dat het water uit de opvangbak en de watertank zijn verwijderd.

Het apparaat mag nooit worden gebruikt als de lampen niet werken.

De lampen moeten regelmatig worden geïnspecteerd zoals beschreven onder 'Lampen vervangen'

VULLEN VAN HET WATERRESERVOIR

Wanneer het waterreservoir leeg is, schakelen de vlam- en rookeffecten uit en hoort u 2 hoorbare pieptonen.

Ga vervolgens als volgt te werk:

1. Zet Schakelaar 'A' op **(0)** (Fig. 10)
2. Til het brandstofbed voorzichtig op en leg het voorzichtig opzij.
3. Verwijder het waterreservoir door het naar boven en naar buiten op te tillen.
4. Plaats het waterreservoir in de gootsteen en verwijder de dop: draai tegen de klok in om hem te openen (Fig. 7).
5. Vul de tank **alleen met gefilterd leidingwater**. Dit is noodzakelijk om de levensduur van de vlam- en rookproducerende eenheid te verlengen.
Het water moet worden gefilterd door een conventioneel waterfilter en het filter moet regelmatig worden vervangen.
6. Schroef de dop er weer op; niet te vast aandraaien.
7. Plaats de waterreservoir weer in de opvangbak met de reservoirdop naar beneden gericht en de platte kant van het reservoir naar buiten. (Fig. 8).
8. Plaats het brandstofbed voorzichtig terug op zijn plek. (Fig. 9).
9. Zet Schakelaar 'A' op de stand **(I)** (Fig. 10)

LAMPEN VERVANGEN

Wanneer de vlam en het rookeffect grijs of kleurloos lijken, kan het zijn dat een of meer lampen stuk zijn.

U kunt lampstoringen als volgt controleren.

1. Laat het vlameffect aanstaan en til het brandstofbed en het waterreservoir omhoog.
2. Het moet mogelijk zijn om de lampen met het mondstuk op hun plek te zien, en te observeren welke moet worden vervangen.
3. Zet schakelaar 'A' in de 'UIT'-stand en haal de stekker uit het stopcontact.
4. Laat het apparaat 20 minuten staan om de lampen te laten afkoelen, voordat u hen verwijdert.
5. Verwijder de opvangbak zoals wordt beschreven in het gedeelte Reiniging.
6. Verwijder de defecte lamp door deze voorzichtig verticaal op te tillen en de pinnen los te maken van de lamphouder, (Fig. 4 en 4a).
Vervang de lamp door een gekleurde OPTIMYST, 12V, 45W lamp met een Gu5.3-basis en 8° stralingshoek. (Gekocht bij onze leverancier)

7. Steek de twee pinnen van de nieuwe lamp voorzichtig in de twee gaten in de lamphouder. Druk stevig op zijn plek. (Fig. 4 en 4a).
8. Vervang de opvangbak, het mondstuk, het waterreservoir en het brandstofbed.

REINIGING

Opgelet: - Zet altijd schakelaar 'A' op de 'UIT'- (0) stand (Fig. 10) en haal de stekker uit het stopcontact alvorens de kachel te reinigen.

We raden u aan om de volgende componenten eenmaal per 2 weken te reinigen, vooral in gebieden met hard water: Waterreservoir, opvangbak, sproeikop, tankdop en afdichting, luchtfilter.

Gebruik voor normaal reinigen een zachte, schone stofdoek - gebruik nooit schuurmiddelen.

Voor het verwijderen van stofophopingen of pluis kan af en toe de zachte opzetborstel van de stofzuiger gebruikt worden om het rooster van de fan schoon te maken.

Waterreservoir

1. Verwijder het waterreservoir, zoals eerder beschreven, zet het in de gootsteen en giet het water eruit.
2. Gebruik de meegeleverde borstel om de binnenkant van de dop voorzichtig af te wrijven, waarbij u vooral let op de rubberen ring in de buitenste groef en de middelste rubberen afdichting.
3. Doe een kleine hoeveelheid afwasmiddel in het reservoir, plaats de dop terug en schud goed, spoel het vervolgens uit, totdat alle resten afwasmiddel zijn verdwenen.
4. Vul het reservoir alleen met gefilterd leidingwater, plaats de dop terug en draai hem niet te vast.

Opvangbak

1. Zet schakelaar 'A' op de 'UIT'- (0) stand
2. Til het brandstofbed er voorzichtig uit en plaats het voorzichtig op de grond.
3. Verwijder het waterreservoir door het naar boven te tillen.
4. Ontkoppel de elektrische connector aan de rechterkant van de opvangbak. (Fig. 5)
5. Maak de rechtervergrendelingen van de opvangbak los door deze 90° te draaien. Hierdoor kan de opvangbak volledig van zijn plek worden getild. (Fig. 11)
6. Til de opvangbak voorzichtig op en zorg ervoor dat hij waterpas blijft, zodat u geen water morst. Plaats hem in de gootsteen.
7. Maak de linkervergrendelingen van de opvangbak los door deze 90° te draaien en til vervolgens het mondstuk op. (Fig. 3)
8. Til de omzetter eruit en kantel deze voorzichtig, zoals afgebeeld, zodat de vloeistof uit de opvangbak kan lopen. (Fig. 13)
9. Doe een kleine hoeveelheid afwasmiddel in de opvangbak en gebruik de meegeleverde borstel om alle oppervlakken in de opvangbak en de omzetter voorzichtig schoon te maken, inclusief de metalen schijven in het bovenste gegroefde oppervlak. (Fig. 14)
10. Reinig na het afwassen de opvangbak grondig met schoon water en zorg dat er geen afwasmiddelresten achter blijven.
11. Reinig het mondstuk met de borstel en spoel het grondig uit met water. (Fig. 15)
12. Voer de bovenbeschreven stappen in omgekeerde volgorde uit om het geheel weer in elkaar te zetten.

Luchtfilter

1. Til het brandstofbed er voorzichtig uit en plaats het voorzichtig op de grond.
2. Schuif het luchtfilter voorzichtig omhoog uit de plastic houder. (Fig. 16)
3. Spoel zachtjes met water in de gootsteen af en droog af met een theedoek, voordat het filter terugplaatst.
4. Vervang het filter en zorg ervoor dat het grove zwarte filter naar de voorkant van het vuur wijst.
5. Vervang het brandstofbed.

Extra informatie

AFTERSALES SERVICE

Uw product heeft vanaf de datum van aankoop twee jaar garantie. Binnen deze periode repareren of nemen wij het product gratis terug (m.u.v. lampen & op basis van beschikbaarheid), op voorwaarde dat het volgens deze instructies is geïnstalleerd en gebruikt. Uw rechten volgens deze garantie zijn een aanvulling op uw statutaire rechten die op hun beurt niet door deze garantie worden beïnvloed.

RECYCLEN



Voor elektrische producten verkocht binnen de Europese Gemeenschap - Aan het einde van de levensduur van elektrische producten mogen ze niet met het huishoudvuil weg worden gegooid. Recycle waar faciliteiten aanwezig zijn. Raadpleeg uw plaatselijke autoriteit of winkelier voor de recyclerichtlijnen in uw land.

PATENT/PATENTAANVRAAG

Producten van het Optimyst-assortiment worden beschermd door een of meer van de volgende patenten en octrooiaanvragen:

Verenigd Koninkrijk GB 2402206, GB 2460259, GB 2460453, GB 2418014, GB 2465738, GB 2449925, GB 2465537, GB 2455277, GB1020534.2, GB1020537.5, GB1110987.3

Verenigde Staten US 7967690, US 2010299980, US 2011062250, US 2008028648, US 13/167,042

Rusland RU2008140317

Europa EP 2029941, EP 2201301, EP 2315976, EP 1787063, EP07723217.1, EP11170434.2, EP 11170435.9

China CN 101883953, CN 200980128666.2, CN 101057105, CN 101438104

Australië AU 2009248743, AU 2007224634

Canada CA 2725214, CA 2579444, CA 2645939

Internationale patentaanvraag WO 2006027272

Zuid-Afrika ZA 200808702

Mexico MX 2008011712

Korea KR 20080113235

Japan JP 2009529649

Brazilië BR P10708894-9

India IN 4122/KOLNP/2008

Nieuw-Zeeland NZ 571900

Probleemoplossen		
Symptoom	Oorzaak	Corrigerende actie
Het vlameffect start niet.	De stekker is niet aangesloten. Laag waterniveau. Laagspanningsconnector niet goed aangesloten. (Fig. 5) De omzetter is niet juist in de opvangbak geplaatst.	Controleer of de stekker correct in het stopcontact zit. Controleer of het waterreservoir vol is en er water in de opvangbak zit. Controleer of de stekker correct is geplaatst. (Fig. 5) Zorg ervoor dat de omzetter in de gegoten uitsparing van de opvangbak zit.
Het vlameffect is te laag.	Vlameffectknop is te laag ingesteld. (Fig. 10) De metalen schijf in de omzetter is mogelijk vuil (zie Fig. 14). De draad van de eenheid van de omzetter zit op de metalen schijf.	Verhoog het vlamniveau met behulp van de afstandsbediening (zie het gedeelte Het systeem bedienen) Reinig de metalen schijf met meegeleverde zachte borstel. (Fig. 14) Zie 'Onderhoud' voor een stapsgewijze procedure. Leid de draad naar de achterkant van de opvangbak en zorg ervoor dat deze in de zijspanning zit die uit de opvangbak komt.
Onaangename geur tijdens gebruik apparaat.	Vies of oud water. Ongefilterd kraanwater gebruikt.	Reinig het apparaat, zoals beschreven bij Onderhoud. Gebruik alleen gefilterd kraanwater.
Het vlameffect heeft te veel rook.	Instelling vlameffect is te hoog.	Draai de regelknop 'D' voor het vlameffect naar rechts, ongeveer een kwartslag per keer. Geef de vlamgenerator enige tijd om zich aan te passen aan de nieuwe instelling. (Fig. 10)
De hoofdlampen werken niet en er zijn geen vlammen of rook.	Er zit geen water in de watertank.	Volg de instructies onder Onderhoud , 'Het vullen van het waterreservoir'. Controleer of de stekker correct is aangesloten op het stopcontact en dat schakelaar 'A' in Fig. 10 is ingeschakeld stand (I).

Introduction

Veillez lire soigneusement ce guide d'informations pour pouvoir installer, utiliser et entretenir votre produit en toute sécurité.

Conseils de sécurité importants

ATTENTION : LE NON-RESPECT DE CES INSTRUCTIONS PEUT CAUSER DES BLESSURES ET / OU DES DOMMAGES ET PEUT INVALIDER VOTRE GARANTIE

Conseils de sécurité importants

Toujours observer des précautions de base en cas d'utilisation d'appareils électriques, afin de réduire le risque d'incendie, de chocs électriques et de blessures personnelles, notamment :

- Si l'appareil est endommagé, vérifier auprès du fournisseur avant son installation et fonctionnement.
- Ne pas utiliser à l'extérieur.
- Ne pas utiliser à proximité immédiate d'une baignoire, douche ou piscine.
- Ne pas situer l'appareil immédiatement en dessous d'une prise fixe ou d'un boîtier de raccordement.

Avertissement : Cet appareil de chauffage ne doit pas être utilisé à des fins autres que domestiques normales dans le pays où il a été acheté auprès d'un détaillant reconnu.

Cet appareil peut être utilisé par des enfants âgés d'au moins 8 ans et des personnes ayant des incapacités physiques, sensorielles ou mentales ou manquant d'expérience et de connaissances, pourvu qu'ils bénéficient d'une surveillance ou des instructions sur l'utilisation de l'appareil en toute sécurisée et qu'ils comprennent les risques encourus. Les enfants ne doivent pas jouer avec l'appareil. Son nettoyage et son entretien ne doivent pas être effectués par des enfants laissés sans surveillance.

Les enfants de moins de 3 ans doivent être tenus éloignés, à moins d'être continuellement supervisés. Les enfants âgés de 3 ans et plus et de moins de 8 ans peuvent uniquement allumer / éteindre l'appareil, pourvu qu'il soit placé ou installé dans sa position d'utilisation normale, qu'ils bénéficient d'une surveillance ou d'instructions quant à l'utilisation de l'appareil de façon sécurisée et qu'ils comprennent les risques encourus. Les enfants âgés entre 3 et 8 ans ne doivent pas brancher, régler et nettoyer ou entretenir l'appareil.

Avertissement : Cet appareil doit être mis à la terre.

L'utilisation d'une rallonge ou d'un adaptateur multibroche n'est pas conseillée lors de la connexion de ce produit au secteur. La connexion à travers ces dispositifs pourrait entraîner un risque de surcharge, de surchauffe et même d'incendie au niveau de la rallonge ou de l'adaptateur en raison d'une qualité de connexion inadéquate.

Cet appareil de chauffage doit être utilisé en courant alternatif uniquement (~) et la tension d'alimentation du secteur doit correspondre à la tension indiquée sur l'appareil.

Ne pas utiliser cet appareil en série avec une commande thermique, un contrôleur de programme, un minuteur ou tout autre dispositif qui allume le chauffage automatiquement, puisqu'il existe un risque d'incendie lorsque le radiateur est couvert ou déplacé accidentellement.

N'utilisez PAS l'appareil de chauffage sur des tapis à poils épais ou sur des tapis à poils longs, ou à moins de 750 mm de toute surface en surplomb. Tenez les combustibles tels que les rideaux et autres meubles à l'écart de l'avant, des côtés et de l'arrière de l'appareil de chauffage. N'utilisez pas l'appareil de chauffage pour sécher votre linge.

En cas de panne, débrancher l'appareil. Débrancher l'appareil s'il n'est pas utilisé sur de longues périodes.

L'appareil doit être placé de manière à pouvoir accéder à la prise. Si le cordon d'alimentation est endommagé, il doit être remplacé par le fabricant ou l'agent de service, ou par une personne pareillement qualifiée afin d'éviter tout danger. Tenir le cordon d'alimentation éloigné de la façade de l'appareil.

Avertissement : Certains éléments de ce produit peuvent devenir très chauds et provoquer des brûlures. Il faut payer une attention particulière lorsque des enfants et personnes vulnérables sont présentes.

Avertissement : Afin d'éviter la surchauffe, ne pas couvrir l'appareil. Ne pas placer d'objets ou de vêtements sur l'appareil, ni gêner la circulation de l'air autour de l'appareil, par exemple avec des rideaux ou des meubles. Cela pourrait provoquer une surchauffe, voire un risque d'incendie.

L'appareil porte une étiquette d'avertissement NE PAS COUVRIR.

Avertissement : Afin d'éviter tout danger lié à une réinitialisation accidentelle du coupe-circuit thermique, cet appareil ne soit pas être alimenté par un dispositif de commutation externe (un minuteur par exemple) ou raccordé à un circuit qui est allumé et éteint régulièrement par le service.

Informations générales

N'utilisez que de l'eau filtrée dans cet appareil.

Assurez-vous toujours que l'appareil est placé sur une surface plane.

Bien que cet appareil respecte les normes de sécurité, nous ne recommandons pas son utilisation sur de la moquette très épaisse ou sur des tapis à poils longs.

Remarque : Utilisé dans un environnement où le bruit de fond est très faible, l'effet flamme s'accompagne d'un son audible dans un environnement silencieux. C'est normal et cela ne doit pas susciter d'inquiétudes.

Si ce produit subit une surtension pour quelque raison que ce soit, il peut être coupé. Ceci est une caractéristique de sécurité normale et le produit reprendra son fonctionnement après 30 secondes.

Une fois installé, l'appareil ne doit ni être déplacé ni posé à l'envers sans vidanger l'eau du bac et du réservoir.

Si vous prévoyez de ne pas utiliser l'appareil pendant plus de deux semaines, vidangez l'eau du bac et du réservoir et séchez le bac.

Le réservoir d'eau, le bac, le couvercle du bac, le bouchon du réservoir et les filtres à air doivent être nettoyés toutes les deux semaines, en particulier dans les zones d'eau dure.

L'appareil ne doit jamais être utilisé si les lampes ne fonctionnent pas.

Les lampes doivent être régulièrement inspectées comme décrit dans la section « Entretien » et « Remplacement des lampes ».

Informations techniques

Numéro du modèle : ENG56-400 E, ENG68-400 E, ENG56-600 E

Puissance calorifique		230 V	240 V	
Puissance calorifique nominale	P_{Nom}	1,8	2,0	kW
Puissance calorifique minimale	P_{min}	0,9	1,0	kW
Production maximale de chaleur continue	P_{max}	1,8	2,0	kW
Consommation d'électricité auxiliaire				
En mode veille	P_{Nom}	0,45	0,48	W

contrôle électronique de la température de la pièce et temporisateur hebdomadaire

Instructions d'installation

Cette section décrit comment configurer votre foyer.

AVANT DE COMMENCER

1. Assurez-vous que tous les éléments d'emballage sont retirés (lisez attentivement toutes les étiquettes d'avertissement) et conservez tous les emballages pour une utilisation future possible, par ex. en cas de déménagement ou de restitution de l'appareil à votre fournisseur.
2. Avant de brancher l'appareil, vérifiez que la tension d'alimentation est la même que celle indiquée sur celui-ci.

Installation dans un manteau de cheminée

1. Lorsque vous installez cet appareil dans un manteau de cheminée, assurez-vous de choisir un manteau adapté

à votre appareil (Fig. 18). **Il doit y avoir un évent à l'avant du manteau de la cheminée d'au moins 88 cm². C'est indispensable pour que l'air puisse circuler dans l'appareil - sinon l'effet de flamme Opti-myst Ne fonctionnera pas correctement. Cette voie d'air ne doit pas être obstruée**

2. Retirez les 4 supports d'espacement à l'avant de l'appareil (Fig 19)
3. Glissez complètement l'appareil dans le manteau de la cheminée par l'arrière en vous assurant qu'il est au centre du manteau. À l'aide de vis appropriées (non fournies), vissez l'appareil en place (Fig 20)
4. Assurez-vous de placer le foyer à moins de 1 m d'une prise de courant (Fig 21)

Installation dans un mur ou une cavité

1. Notez les dimensions du produit sur la figure 1 et construisez une structure appropriée pour que l'appareil s'insère dans un rayon de 1 m d'une prise de courant (Fig 22). À l'aide de vis appropriées (non fournies), vissez l'appareil en place
2. Notez les fentes d'aération de l'appareil. Elles sont situées à la base avant et sous l'appareil
3. Construire le mur contre l'appareil en utilisant les supports d'espacement comme guide.
4. **Il doit y avoir un évent à l'avant de la structure d'au moins 88 cm². Il est essentiel de s'assurer que l'air puisse circuler dans l'appareil - sinon l'effet de flamme Opti-myst ne fonctionnera pas correctement. Cette voie d'air ne doit pas être obstruée. Pour des exemples d'évent dans un mur ou une cavité, voir Fig. 23**

Connexion de l'unité de transducteur + lampes

1. Relâchez les deux onglets rouges en les tournant de 90 degrés (Fig 2)
2. Soulevez la buse de puisard (Fig 3)
3. Insérez les lampes dans les supports de lampe (Fig 4), en plaçant soigneusement les broches dans les trous (Fig 4a)
4. Poussez les lampes fermement en place
5. Placer l'unité de transducteur dans le puisard et joindre le câble au connecteur sur le puisard (Fig 5)
6. Pour s'assurer que l'unité de transducteur est correctement placée dans le puisard, la languette de l'unité doit être alignée avec le renforcement moulé dans le puisard (Fig 5a)
7. Assurez-vous que le câble n'est pas placé au-dessus du disque sur l'unité de transducteur (Fig 5b). Pour empêcher le câble de se pincer entre la buse et le puisard, placez-le dans la fente de la paroi du puisard
8. Remplacez la buse de puisard et fixez-la en tournant les deux languettes rouges de 90 degrés (Fig 6)

Remplir le réservoir d'eau

9. Placez le réservoir d'eau dans l'évier et retirez le bouchon (tourner dans le sens inverse des aiguilles d'une montre pour l'ouvrir) (Fig 7)
10. Remplir le réservoir avec **l'eau du robinet filtrée seulement**. Ceci est nécessaire pour prolonger la durée de vie de l'unité de production de la flamme et de la fumée. L'eau doit être filtrée à travers un filtre à eau domestique conventionnel et le filtre doit être remplacé régulièrement. L'eau distillée ne doit **pas** être utilisée
11. Revisser le bouchon, **ne pas trop serrer**
12. Remettre le réservoir dans le puisard, avec le bouchon du réservoir vers le bas et le côté plat du réservoir vers l'extérieur (Fig 8)

Assemblage du foyer

13. Placez le lit de combustible au-dessus du réservoir d'eau et de la buse de brouillard (Fig 9)

Fonctionnement du produit

AVERTISSEMENT : LE NON-RESPECT DE CES INSTRUCTIONS D'UTILISATION PEUT ENTRAÎNER DES BLESSURES ET / OU DES DOMMAGES.


Commandes manuelles

Les commandes manuelles d'Opti-myst sont situées sur la base de l'appareil.

(Voir Fig. 2 pour la disposition de la commande manuelle)

Interrupteur « A » : - Commande l'alimentation en électricité au foyer.

Remarque : Cet interrupteur doit être en position « ON » (I) pour que le foyer fonctionne avec ou sans chaleur lorsqu'il est activé.

Commutateur « A » : - Appuyez  une fois pour allumer l'effet de flamme. Ceci sera indiqué par un « bip » sonore. Bien que les lumières principales fonctionnent immédiatement, il faudra encore 45 secondes avant que l'effet de flamme ne commence.

Appuyez  mettre le foyer en mode veille. Ceci sera indiqué par un « bip ».

Télécommande

La télécommande est emballée avec 2 piles AA dans un sac. Soulevez le couvercle de la batterie à l'arrière de la télécommande et insérez les piles en prenant note de la polarité.

Allumer l'appareil

Appuyez sur le bouton ENTER et maintenez-le enfoncé pendant 3 secondes pour activer la télécommande. FIRE sera affiché et ON clignotera. Appuyez sur ENTER pour allumer l'appareil. Pour éteindre l'appareil, appuyez sur MENU afin que FIRE clignote, appuyez deux fois sur ENTER.

Régler de la flamme

Avec la télécommande activée, appuyez une fois. FIRE clignote sur l'affichage. Appuyez ENTRER. Le réglage actuel

de la flamme sera affiché F1-F6. Appuyez sur les boutons UP et DOWN pour régler les paramètres. Après avoir sélectionné votre réglage de flamme, appuyez deux fois sur BACK pour quitter le menu et revenir à l'écran d'accueil.

Activer la Chaleur

Avec la télécommande activée, appuyez une fois sur MENU. FIRE clignote sur l'affichage. Appuyez une fois sur ADV, HEAT clignotera. Appuyez sur ENTER. Le réglage de chaleur actuel affichera OFF LO HI. Appuyez sur les boutons UP et DOWN pour régler les paramètres. Après avoir sélectionné votre réglage de la flamme, appuyez sur ENTER.

Réglage du thermostat

La température affichée sur l'écran correspond au point de consigne de la température ambiante. C'est la température que l'appareil de chauffage va maintenir pendant les périodes de chauffage. Si la température ambiante est supérieure à cette température, le chauffage ne fonctionnera pas. L'appareil de chauffage quitte l'usine avec la température réglée à 15 °C ce qui représente une température ambiante confortable typique. Si vous avez besoin d'une température ambiante différente, appuyez sur la touche haut ou bas sur l'écran d'accueil jusqu'à ce que l'écran affiche la température souhaitée.

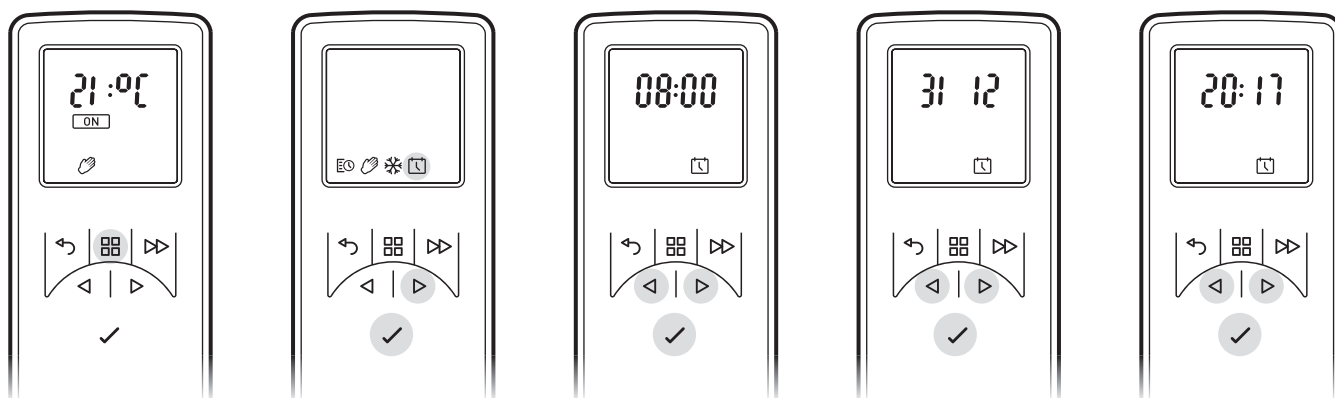
Disjoncteur thermique

Un disjoncteur thermique est intégré au ventilateur pour prévenir les risques dus à une surchauffe. En effet, des dommages sont susceptibles de se produire si la sortie de l'insert est obstruée de quelque manière que ce soit. Si le coupe-circuit fonctionne, débranchez le chauffe-eau de la prise de courant et attendez environ 10 minutes avant de le rebrancher. Avant de rallumer l'appareil de chauffage, retirez tout obstacle pouvant restreindre la sortie de chaleur, puis continuez le fonctionnement normal. ATTENTION : Pour éviter les risques liés à la réinitialisation accidentelle du disjoncteur thermique, cet appareil ne doit pas être alimenté par un dispositif de commande externe, tel qu'une minuterie, ou branché à un interrupteur régulièrement mis hors et sous tension.

Réglage de la date et de l'heure

Pour régler la date et l'heure de l'appareil de chauffage ;

1. Appuyer sur le bouton Menu
2. Appuyez quatre fois sur le bouton ^
3. Appuyez sur Entrée lorsque l'icône Date et heure clignote
4. Appuyez sur Entrée pour régler l'heure
5. Appuyer sur v et ^ pour régler l'heure, appuyez sur Entrée
6. Appuyer sur v et ^ pour régler les Minutes, appuyez sur Entrée pour confirmer l'heure
7. Appuyer sur v et ^ pour régler le Jour, appuyez sur Entrée
8. Appuyer sur v et ^ pour régler le Mois, appuyez sur Entrée
9. Appuyer sur v et ^ pour Année, appuyez sur Entrée pour confirmer la date



Modes de fonctionnement à distance

Minuteur de l'utilisateur : Offre la plus grande flexibilité à l'utilisateur. Quatre emplacements sont disponibles toute la journée et peuvent être personnalisés pour chaque jour de la semaine. Voir « Comment ajuster les modes de minuterie » pour des instructions sur le réglage de ces réglages à partir des périodes et températures par défaut d'usine.

Mode manuel : Ce mode chauffe la pièce à la température à laquelle vous avez réglé la télécommande.

Protection contre la gelée : Ce mode maintient de température ambiante à 7 °C. Ce mode devrait être utilisé pour fournir une protection contre la gelée comme indiqué par l'icône de gel.

Choisir et définir un mode

Minuterie de l'utilisateur - Pour reprogrammer les modes de minuterie d'usine par défaut :

1. Appuyez sur le bouton Menu
2. Appuyez une fois sur ^ pour programmer et l'icône clignote. Appuyez sur Entrée

3. Appuyez deux fois sur ^ puis sur Enter
 Les jours des semaines sont maintenant affichés en haut de l'écran
 Jour 1 = Lundi
 Jour 2 = Mardi
 Jour 3 = Mercredi
 Jour 4 = Jeudi
 Jour 5 = Vendredi
 Jour 6 = Samedi
 Jour 7 = Dimanche
4. Appuyez sur Entrée pour Modifier Jour 1 ou Appuyez sur ^ pour naviguer jusqu'au jour souhaité et appuyez sur Entrée pour sélectionner
5. P1 sera affiché à l'écran
6. Appuyez sur Entrée pour sélectionner P1, pour naviguer vers P2, P3 ou P4 appuyez sur ^ et appuyez sur Entrée pour sélectionner
7. ON sera mis en surbrillance, appuyez sur Entrée pour régler l'heure d'activation
8. Appuyez sur v et ^ pour régler l'heure, appuyez sur Entrée pour confirmer
9. Appuyez sur v et ^ pour régler les minutes, appuyez sur Entrée pour confirmer
10. Appuyez sur v et ^ pour régler la température, appuyez sur Entrée pour confirmer
11. Appuyez sur v et ^ pour régler l'heure d'arrêt, appuyez sur Entrée pour confirmer
12. Appuyez sur v et ^ pour régler la minute d'arrêt, appuyez sur Entrée pour confirmer

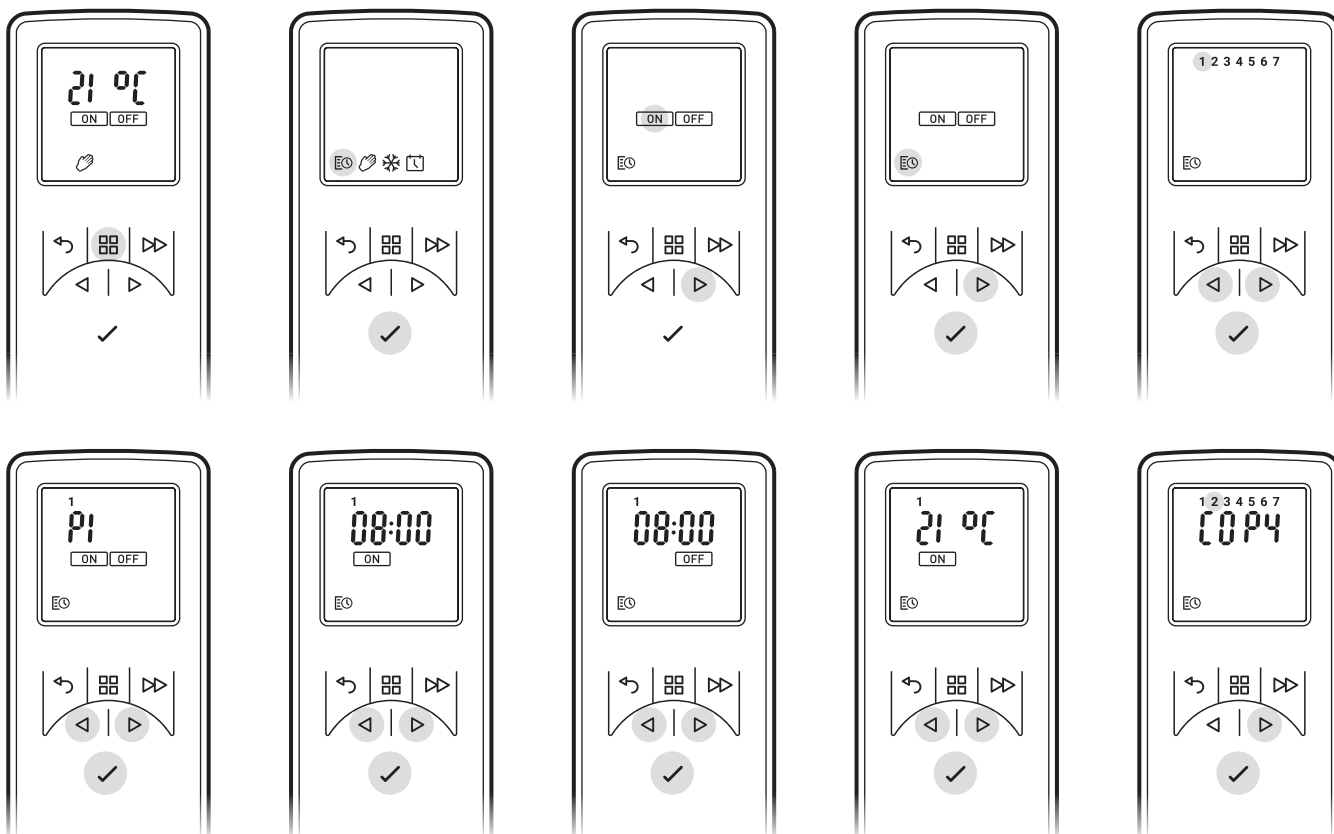
Appuyez sur Entrée pour modifier le Programme P2, suivez les étapes 5 à 12, appuyez sur ^ passer à P3
 Appuyez sur Entrée pour modifier le Programme P3, suivez les étapes 5 à 12, appuyez sur ^ passer à P4
 Appuyez sur Entrée pour modifier le Programme P4, suivez les étapes 5 à 12

Pour copier les programmes de chauffage P1-P4 nouvellement programmés sur d'autres jours, appuyez sur le bouton Entrée.

Copier sera affiché à l'écran

Pour copier au jour suivant dans l'ordre, appuyez sur le bouton ^. Pour désélectionner le prochain jour, appuyez sur le bouton Entrée.

Les jours de la semaine sélectionnés seront affichés en haut de l'écran. Les jours qui ont été désélectionnés ne seront pas visibles (voir les Diagrammes).
 Appuyez sur Entrée pour confirmer, le rétroéclairage clignotera et retournera à l'écran d'accueil.

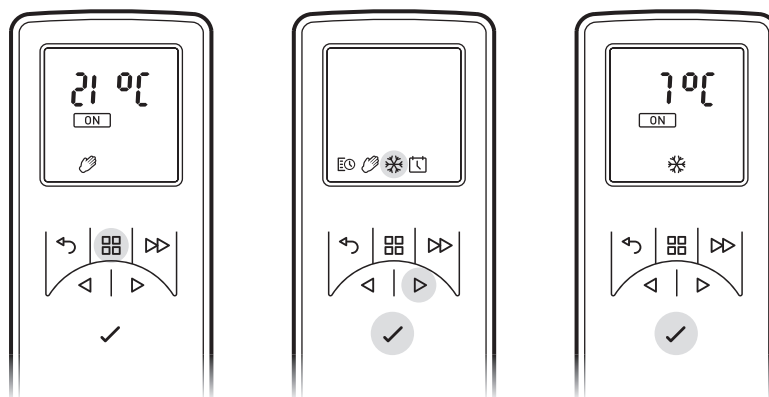


Mode manuel - Pour choisir un mode de chauffage constant. Ce mode ignore le minuteur utilisateur et maintient la température affichée.

- Appuyez sur le bouton Menu
- Appuyez deux fois sur ^ pour mettre en évidence l'icône de la Main
- Appuyez sur Entrée pour confirmer
- Utiliser v et ^ pour ajuster à la température désirée

Protection contre la gelée - Le mode antigel maintient une température ambiante de 7 °C tout au long d'une période de 24 heures. Ce mode devrait être utilisé pour fournir une protection contre la gelée comme indiqué par l'icône de gel.

- Appuyez sur le bouton Menu
- Appuyez trois fois sur ^ pour mettre en évidence l'icône de flocon de neige
- Appuyez sur Entrée pour confirmer
- Appuyez sur v ou ^ pour quitter ce mode et passer en mode manuel



Obtenir l'effet de flamme souhaité

1. À l'aide de la télécommande, appuyez sur MENU, FIRE sur l'affichage clignotera, appuyez sur ENTREE. Le réglage actuel sera affiché. Appuyez sur ^ ou v pour basculer entre F1 et F6. F1 étant le réglage le plus bas et F6 étant le réglage le plus élevé.
2. Généralement, les flammes apparaissent plus réalistes lorsque le contrôle de la flamme est baissé.
3. Donnez au générateur de flammes le temps de réagir aux changements que vous pourriez faire.
4. Le foyer utilisera moins d'eau si l'effet de flamme est réglé à un niveau inférieur.
5. Ne pas incliner ou déplacer le foyer tant qu'il y a de l'eau dans le réservoir ou le bac.
6. Veiller à ce que le foyer soit placé sur une surface plane.

Personnaliser l'affichage

Le point de consigne de température maximale du produit est de 32 °C. Vous avez la possibilité de réduire ce point de consigne. Vous pouvez également changer °C à °F

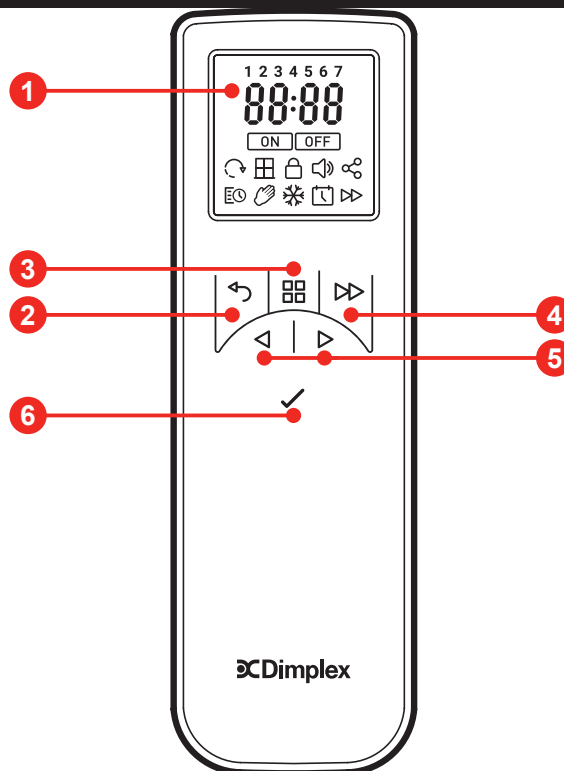
1. Appuyer sur le bouton Menu.
2. Appuyez deux fois sur le bouton ADV, SP clignote.
3. Appuyez sur Entrée pour confirmer.
4. Appuyez sur v ou ^ pour choisir entre °C et °F.
5. Appuyez sur Entrée pour confirmer.
6. Appuyez v ou ^ pour choisir votre point de consigne de température maximale.
7. Appuyez sur Entrée pour confirmer.
8. Appuyez trois fois sur BACK pour revenir à l'écran d'accueil.

Démarrage adaptatif

L'électronique intégrée dans cet appareil a une fonction d'apprentissage du temps nécessaire pour chauffer une pièce. Ayant appris à quelle vitesse il peut chauffer votre pièce, l'appareil est en mesure de s'allumer au bon moment afin d'obtenir une température confortable lorsque vous le souhaitez. Par exemple, si vous vous levez à 7 h du matin, vous devrez normalement deviner quand allumer le chauffage pour préchauffer la pièce à temps. En fonction de la température à l'extérieur, cela peut signifier que la pièce est encore froide lorsque vous devez sortir du lit, ou qu'elle a été chaude pendant une demi-heure avant que cela ne soit nécessaire. Démarrage adaptatif signifie que si vous sélectionnez 21 °C à 7 h, l'appareil de chauffage s'allume exactement quand il le faut pour atteindre cette cible, en fonctionnant pendant des périodes plus courtes lorsque le temps est doux, et en veillant à ce que la pièce soit chaude et agréable en hiver.

La fonction de démarrage adaptatif s'active automatiquement lorsque vous utilisez le mode minuterie.

- 1 Écran d'affichage
- 2 Bouton de 'Retour'
- 3 Bouton de 'Menu'
- 4 Bouton 'Avancer'
- 5 Flèches 'Haut et Bas'
- 6 Bouton Entrée



Entretien

CONSEILS GÉNÉRAUX

N'utilisez que de l'eau filtrée du robinet dans cet appareil.

Assurez-vous toujours que l'appareil est placé sur une surface plane.

Si vous prévoyez de ne pas utiliser l'appareil pendant plus de deux semaines, vidangez l'eau du bac et du réservoir.

Une fois installé, l'appareil ne doit ni être déplacé ni posé à l'envers sans vidanger l'eau du bac et du réservoir.

L'appareil ne doit jamais être utilisé si les lampes ne fonctionnent pas.

Les lampes doivent être régulièrement inspectées comme décrit dans la section « Remplacement des lampes ».

REEMPLIR LE RESERVOIR D'EAU

Lorsque le réservoir d'eau est vide, l'effet de flamme et de fumée s'éteint, vous entendrez 2 bips sonores. Suivez les étapes suivantes.

1. Appuyez sur le bouton « A » pour (0) (Fig. 10).
2. soulever délicatement le lit de carburant et mettez-le soigneusement de côté.
3. Retirez le réservoir d'eau en le soulevant et en le tirant vers l'extérieur.
4. Placez le réservoir d'eau dans l'évier et retirez le bouchon, dans le sens inverse des aiguilles d'une montre pour l'ouvrir. (Fig. 7)
5. Remplir le réservoir avec **l'eau du robinet filtrée seulement**. Ceci est nécessaire pour prolonger la durée de vie de l'appareil générateur de flamme et de fumée.
L'eau doit être filtrée à travers un filtre à eau domestique conventionnel et le filtre doit être remplacé régulièrement.
6. Revissez le bouchon, ne serrez pas trop.
7. Remettez le réservoir dans le puisard, avec le bouchon du réservoir vers le bas et le côté plat du réservoir vers l'extérieur. (Fig. 8)
8. Remettez délicatement le lit de combustible en place. (Fig. 9)
9. Placer l'interrupteur A sur ON (I) (Fig. 10).

CHANGER LES LAMPES

Si l'effet de flamme et de fumée apparaît grise ou incolore, il se peut qu'une ou plusieurs lampes soient défectueuses. Vous pouvez vérifier la défectuosité de la lampe

1. En laissant l'effet de flamme allumé, soulevez le réservoir de carburant et le réservoir d'eau.
2. Il devrait être possible de voir les lampes avec la buse en place et d'observer celles qui doivent être changées.
3. Mettez l'interrupteur « A » en position « OFF » et débranchez le foyer du secteur.
4. Laissez l'appareil pendant 20 minutes pour permettre aux lampes de refroidir avant de les retirer.
5. Retirez le carter comme décrit dans la section intitulée Nettoyage.
6. Enlevez la lampe défectueuse en la soulevant délicatement verticalement et en dégagant les broches du porte-lampe, (Fig. 4 et 4a).

Remplacez avec une lampe colorée Dimplex OPTIMYST, 12V, 45W, base Gu5.3, angle de faisceau 8°. (Achetée chez notre fournisseur)

7. Insérez délicatement les deux broches de la nouvelle lampe dans les deux trous du support de lampe. Poussez la lampe fermement en place. (Fig. 4 et 4a).
8. Remplacer le carter d'huile, la buse, le réservoir d'eau et le réservoir d'essence.

NETTOYAGE

Avertissement – Placer l'interrupteur A à la position « OFF » **(0)** (Fig. 10) et déconnecter de l'alimentation électrique avant de nettoyer le foyer.

Nous recommandons de nettoyer les composants suivants une fois toutes les 2 semaines, en particulier dans les zones d'eau dure :-

Réservoir d'eau, carter, buse, bouchon de réservoir et joint, filtre à air.

Pour un nettoyage général, utiliser un chiffon de dépoussiérage propre. Ne jamais utiliser de produits nettoyants abrasifs. Utiliser la brosse douce d'un aspirateur de temps à autre pour nettoyer la grille du ventilateur et éliminer la poussière et les peluches qui se sont accumulées.

Réservoir d'eau

1. Retirez le réservoir d'eau, comme décrit précédemment, mettez-le dans l'évier et videz l'eau.
2. À l'aide de la brosse fournie, frottez doucement les surfaces intérieures du capuchon en portant une attention particulière à la bague en caoutchouc dans la rainure extérieure et au joint central en caoutchouc.
3. Mettez une petite quantité de liquide de vaisselle dans le réservoir, remettez le bouchon et secouez bien, rincez jusqu'à ce que toute trace de liquide vaisselle soit partie.
4. Remplir avec de l'eau du robinet filtrée uniquement, replacer le bouchon, ne pas trop serrer.

Carter

1. Placer l'interrupteur A à la position **(0)** OFF.
2. Soulevez délicatement le lit de carburant et posez-le soigneusement par terre.
3. Retirez le réservoir d'eau en le soulevant.
4. Débrancher le connecteur électrique situé sur le côté droit du puisard. (Fig. 5)
5. Relâcher les languettes de verrouillage du carter droit en les tournant à 90°. Enlevez le couvercle du bac pour le sortir complètement de son emplacement. (Fig. 11)
6. Soulevez doucement le bac, en prenant soin de garder le niveau afin de ne pas renverser de l'eau. Placez l'assemblage dans l'évier.
7. Relâcher les deux languettes de verrouillage du carter gauche en les tournant de 90°, puis enlever le couvercle du puisard. (Fig. 3)
8. Soulevez le transducteur et inclinez-le soigneusement pour que le liquide s'écoule du puisard. (Fig. 13)
9. Mettre une petite quantité de liquide de vaisselle dans le bac et, à l'aide de la brosse fournie, nettoyer délicatement toutes les surfaces dans le puisard et nettoyer délicatement le transducteur, y compris les disques métalliques et le joint en caoutchouc situé dans la surface rainurée supérieure. (Fig. 14)
10. Une fois nettoyé, rincer soigneusement le puisard avec de l'eau propre pour enlever toute trace de liquide vaisselle.
11. Nettoyez la buse avec la brosse et rincez abondamment à l'eau. (Fig. 15)
12. Inversez les étapes ci-dessus pour réassembler.

Filtre à air

1. Soulevez délicatement le lit de carburant et posez-le soigneusement par terre.
2. Faites glisser délicatement le filtre à air vers le haut hors de son support en plastique. (Fig. 16)
3. Rincer doucement avec de l'eau dans l'évier et sécher avec une serviette en tissu avant de retourner.
4. Remplacez le filtre en vous assurant que le filtre noir est bien en contact avec le support en plastique.
5. Remplacer le lit de carburant.

Informations supplémentaires

SERVICE APRÈS-VENTE

Votre produit est garanti un an à compter de la date d'achat. Au cours de cette période, nous nous engageons à réparer ou échanger ce produit sans frais (hors lampes et sous réserve de disponibilité), à condition d'avoir été installé et utilisé conformément aux présentes instructions. Vos droits en vertu de la présente garantie sont complémentaires à vos droits statutaires, lesquels ne sont pas affectés par la présente garantie.

RECYCLAGE



Concernant les produits électriques vendus au sein de la Communauté européenne - À la fin de la vie utile des produits électriques il ne doit pas être mis au rébus avec les déchets domestiques. Veuillez recycler dans les centres existants. Vérifiez auprès de votre autorité locale ou distributeur pour les recommandations de recyclage dans votre pays.

BREVET / DEMANDE DE BREVET

Les produits de la gamme Optimyst sont protégés par un ou plusieurs des brevets et demandes de brevet suivants :

Grande Bretagne GB 2402206, GB 2460259, GB 2460453, GB 2418014, GB 2465738, GB 2449925, GB 2465537, GB 2455277, GB1020534.2, GB1020537.5, GB1110987.3

États-Unis US 7967690, US 2010299980, US 2011062250, US 2008028648, US 13/167,042

Russie RU2008140317

Europe EP 2029941, EP 2201301, EP 2315976, EP 1787063, EP07723217.1, EP11170434.2, EP 11170435.9

Chine CN 101883953, CN 200980128666.2, CN 101057105, CN 101438104
 Australie AU 2009248743, AU 2007224634
 Canada CA 2725214, CA 2579444, CA 2645939
 Demande de brevet international WO 2006027272
 Afrique du Sud ZA 200808702
 Mexique MX 2008011712
 Corée KR 20080113235
 Japon JP 2009529649
 Brésil BR P10708894-9
 Inde IN 4122/KOLNP/2008
 Nouvelle Zélande NZ 571900

Dépannage		
Symptôme	Cause	Action corrective
L'effet de flamme ne démarre pas.	La prise secteur n'est pas branchée. Niveau d'eau bas. Le connecteur basse tension n'est pas connecté correctement. (Fig. 5) Le transducteur ne s'installe pas correctement dans le bac.	Vérifiez que la fiche est correctement branchée à la prise murale. Vérifiez que le réservoir d'eau est plein et qu'il y a de l'eau dans le bac. Vérifiez que le connecteur est correctement inséré. (Fig. 5) Assurez-vous que le transducteur est assis dans le renforcement moulé du puisard
L'effet de flamme est trop faible.	Le bouton d'effet de flamme est réglé trop bas. (Fig. 10) Le disque métallique dans le transducteur est peut-être sale (Fig. 14) Le fil du transducteur est posé sur le disque métallique	Augmentez le niveau de flamme en utilisant la télécommande (voir la Section sur l'utilisation du produit) Nettoyez le disque métallique avec la brosse souple fournie. (Fig. 14) Voir « Entretien » pour une procédure étape par étape. Dirigez le fil à l'arrière du bac et assurez-vous qu'il se trouve dans la fente latérale sortant de celui-ci.
Odeur désagréable se dégage lorsque l'appareil est utilisé.	Eau sale ou vicié. Utilisation de l'eau du robinet non filtrée.	Nettoyez l'unité comme décrit dans la section sur la maintenance. Utilisez uniquement de l'eau du robinet filtrée.
L'effet de flamme donne trop de fumée.	Le réglage de l'effet de flamme est trop élevé.	Tournez le bouton de contrôle « D » de l'effet de flamme vers la droite, environ ¼ de tour, une fois. Donnez au générateur de flamme un peu de temps pour s'ajuster au nouveau réglage. (Fig. 10)
Les lampes principales ne fonctionnent pas et il n'y a pas de flamme ou de fumée.	Il n'y a pas d'eau dans le réservoir d'eau	Suivez les instructions dans la section Entretien 'Remplir le réservoir d'eau'. Vérifiez que la fiche est correctement branchée à la prise murale et que l'interrupteur « A » Fig. 10 est à la position ON (I) .

Introduzione

Leggere attentamente le informazioni riportate in questa guida al fine di installare, utilizzare e mantenere il prodotto in modo sicuro.

Importante avviso di sicurezza

ATTENZIONE: LA MANCATA OSSERVANZA DELLE PRESENTI ISTRUZIONI PUÒ COMPORTARE LESIONI E/O DANNI E RENDERE NULLA LA GARANZIA

Importante avviso di sicurezza

Quando si utilizzano apparecchiature elettriche, è necessario attenersi sempre alle precauzioni fondamentali per ridurre i rischi di incendio, scossa elettrica e lesioni personali, compreso quanto segue:

- Se l'apparecchiatura è danneggiata, consultare il fornitore prima dell'installazione e l'utilizzo.
- Non utilizzare all'esterno.
- Non utilizzare nelle immediate vicinanze di bagno, doccia o piscina.
- Non collocare l'apparecchiatura immediatamente sotto una presa di rete o scatola di connessione.

Avvertenza: Questa stufa deve essere utilizzata esclusivamente per i normali scopi domestici nel paese in cui è stata acquistata presso un rivenditore commerciale riconosciuto.

Questa apparecchiatura può essere utilizzata dai bambini a partire dagli 8 anni di età e dalle persone con abilità fisiche, sensoriali o mentali ridotte o prive di esperienza e conoscenze se supervisionati o istruiti sull'uso sicuro dell'apparecchiatura e consapevoli dei pericoli connessi. I bambini non devono giocare con l'apparecchiatura. La pulizia e la manutenzione da parte dell'utente non devono essere svolte dai bambini senza supervisione.

I bambini di età inferiore ai 3 anni devono essere tenuti lontani, salvo se supervisionati costantemente. I bambini di età compresa fra i 3 e gli 8 anni possono soltanto accendere/spegnere l'apparecchiatura, a condizione che siano supervisionati o che siano state fornite loro le istruzioni riguardanti l'uso sicuro dell'apparecchiatura e siano consapevoli dei pericoli connessi e che l'apparecchiatura sia collocata o installata nella posizione di esercizio prevista. I bambini di età compresa tra 3 e 8 anni non devono collegare, regolare e pulire l'apparecchiatura o eseguire la manutenzione da parte dell'utente.

Avvertenza: Quest'apparecchiatura deve essere collegata alla messa a terra.

Nel collegamento dell'apparecchiatura all'alimentazione di rete, si sconsiglia l'utilizzo di un cavo di prolunga o di adattatore a presa multipla. Il collegamento tramite tali dispositivi può comportare un rischio di sovraccarico, surriscaldamento e persino incendio sulla prolunga o sull'adattatore a causa della qualità di collegamento inadeguata.

Questa stufa deve essere utilizzata esclusivamente con alimentazione in corrente alternata (~) e la tensione riportata sulla stufa deve corrispondere alla tensione dell'alimentazione di rete.

Non utilizzare questa apparecchiatura collegata in serie con un dispositivo di controllo termico, un controllore programmabile, un temporizzatore o qualsiasi altro dispositivo che accenda il riscaldamento in modo automatico, poiché sussiste il pericolo d'incendio nel caso in cui l'apparecchiatura sia accidentalmente coperta o collocata erroneamente.

NON utilizzare questa stufa su moquette o tappeti a pelo lungo o a una distanza inferiore a 750 mm (30") da qualsiasi superficie sospesa. Tenere lontano dalla parte anteriore, posteriore e laterale della stufa qualsiasi materiale combustibile, quali tendaggi e altri mobili ed elementi di arredo. Non utilizzare la stufa per asciugare la biancheria.

In caso di guasto, scollegare l'apparecchiatura dalla presa di rete. Scollegare l'apparecchiatura se non utilizzata per lunghi periodi.

Questa apparecchiatura deve essere posizionata in modo tale che la spina risulti accessibile. Se il cavo di alimentazione è danneggiato, deve essere sostituito dal produttore o dall'addetto di assistenza o personale qualificato al fine di evitare qualsiasi pericolo. Tenere il cavo di alimentazione lontano dalla parte anteriore dell'apparecchiatura.

Attenzione: Alcune parti di questo prodotto possono diventare molto calde e causare ustioni. È necessario prestare particolare attenzione in caso di presenza di bambini o persone vulnerabili.

Avvertenza: Onde evitare il surriscaldamento, non coprire l'apparecchiatura. Non collocare materiale o indumenti sull'apparecchiatura, né ostruire la circolazione dell'aria attorno all'apparecchiatura, ad esempio con tende o mobili, poiché ciò potrebbe provocare surriscaldamento e pericolo d'incendio.

Sull'apparecchiatura è riportata l'avvertenza "DO NOT COVER" (NON COPRIRE)

Avvertenza: Al fine di evitare pericoli dovuti al ripristino involontario del dispositivo di protezione termica, questa apparecchiatura non deve essere alimentata attraverso un dispositivo di commutazione esterno, quale un timer, né connessa a un circuito che sia regolarmente attivato/disattivato dal gestore.

Informazioni generali

Utilizzare esclusivamente acqua filtrata per questa apparecchiatura.

Assicurarsi sempre che l'apparecchiatura si trovi su una superficie piana.

Sebbene questa apparecchiatura sia conforme agli standard di sicurezza, se ne sconsiglia l'utilizzo sopra tappeti spessi o tappeti a pelo lungo.

Nota: se l'apparecchiatura è utilizzata in un ambiente pressoché privo di rumore di fondo, potrebbe essere udibile un rumore connesso al funzionamento dell'effetto fiamma. Ciò è una condizione normale e non deve destare preoccupazione.

Se questo prodotto rileva sovratensioni per qualsiasi motivo potrebbe attivare il dispositivo di esclusione di sicurezza. Si tratta di una normale funzione di sicurezza e il prodotto riprenderà a funzionare dopo 30 secondi.

Una volta installata, non spostare l'apparecchiatura e non poggiarla sul lato posteriore senza aver prima scaricato l'acqua dalla vaschetta e dal serbatoio.

Se non si intende utilizzare l'apparecchiatura per un periodo superiore alle due settimane, scaricare l'acqua dalla vaschetta e dal serbatoio dell'acqua ed asciugare la vaschetta.

Il serbatoio dell'acqua, la vaschetta, il coperchio della vaschetta, il tappo del serbatoio e i filtri dell'aria devono essere puliti ogni due settimane, in particolare nelle zone in cui la durezza dell'acqua è elevata.

L'apparecchiatura non deve essere mai utilizzata se le lampadine non funzionano.

Le lampadine devono essere ispezionate regolarmente secondo quanto descritto in "Manutenzione" e "Sostituzione delle lampadine".

Dati tecnici

Modello n.: ENG56-400 E, ENG68-400 E, ENG56-600 E

Potenza termica		230 V	240 V	
Potenza termica nominale	P_{Nom}	1,8	2,0	kW
Potenza termica minima	P_{min}	0,9	1,0	kW
Potenza termica continua massima	P_{max}	1,8	2,0	kW
Consumo di elettricità ausiliario				
In modalità Stand-by	P_{Nom}	0,45	0,48	W

controllo della temperatura ambiente elettronico più timer settimanale

Istruzioni per l'installazione

Questa sezione descrive come impostare la stufa.

PRIMA DI INIZIARE

1. Accertarsi che tutti gli elementi della confezione siano rimossi (leggere attentamente tutte le etichette di avvertenza) e conservare tutto l'imballo per uso futuro; ad es., in caso di trasloco o restituzione dell'apparecchiatura al fornitore.
2. Prima di collegare l'apparecchiatura, verificare che la tensione di rete sia quella riportata sulla stufa.

Installazione nel mantello di un caminetto

1. Se s'installa quest'apparecchiatura nel mantello di un caminetto, accertarsi di scegliere un mantello idoneo alla propria apparecchiatura (Fig. 18). **Deve essere presente uno sfogo d'aria sulla parte anteriore del mantello del caminetto di almeno 88 cm². È fondamentale accertarsi che l'aria possa circolare nell'apparecchiatura; in caso contrario, l'effetto fiamma Opti-myst non funzionerà correttamente. Tale percorso dell'aria non deve essere ostruito**
2. Rimuovere le 4 staffe distanziatrici sulla parte anteriore dell'apparecchiatura (Fig. 19)
3. Far scivolare completamente l'apparecchiatura nel mantello del caminetto dal retro, accertandosi che poggia al centro del mantello. Mediante viti idonee (non fornite) fissare l'apparecchiatura in posizione (Fig. 20)
4. Accertarsi di posizionare la stufa a una distanza massima di 1 m dalla presa di alimentazione di rete (Fig. 21)

Installazione a parete o in una cavità

1. Annotare le dimensioni del prodotto riportate nella Fig. 1 e costruire una struttura idonea per installare la stufa a una distanza massima di 1 m dalla presa di alimentazione di rete (Fig. 22). Mediante viti idonee (non fornite) fissare l'apparecchiatura in posizione
2. Osservare le fessure di ventilazione sull'apparecchiatura. Queste sono situate sulla base anteriore sotto l'apparecchiatura
3. Realizzare la parete contro l'apparecchiatura usando le staffe distanziatrici come guida.
4. **Deve essere presente uno sfogo d'aria sulla parte anteriore della struttura di almeno 88 cm². Questo è essenziale per garantire la circolazione dell'aria nell'apparecchiatura – in caso contrario, l'effetti fiamma Opti-myst non funzionerà correttamente. Questo percorso dell'aria non deve essere ostruito Per alcuni esempi di sfoghi dell'aria in una parete e cavità, vedere Fig. 23**

Collegamento dell'unità trasduttore + lampadine

1. Rilasciare le due linguette rosse ruotandole di 90 gradi (Fig. 2)
2. Estrarre sollevandolo l'ugello della vaschetta (Fig. 3)
3. Inserire le lampadine nei porta lampadine (Fig. 4), facendo attenzione a individuare i contatti nei fori (Fig. 4a)
4. Spingere la lampadina saldamente in posizione.
5. Collocare l'unità trasduttore nella vaschetta e collegare il cavo al connettore sulla vaschetta (Fig. 5)
6. Per assicurare che l'unità trasduttore sia collocata correttamente in posizione nella vaschetta, la linguetta sull'unità trasduttore deve essere allineata con la rientranza stampata nella vaschetta (Fig. 5a).
7. Accertarsi che il cavo non sia collocato sopra il disco sull'unità trasduttore (Fig. 5b). Onde evitare che il cavo venga pizzicato tra l'ugello e la vaschetta, collocarlo nella scanalatura della parete della vaschetta.
8. Ricollocare l'ugello della vaschetta e fissarlo ruotando le due linguette rosse di 90 gradi (Fig. 6)

Riempire il serbatoio dell'acqua

9. Collocare il serbatoio dell'acqua nel lavandino e rimuovere il tappo (ruotarlo in senso antiorario per aprirlo) (Fig. 7)
10. Riempire il serbatoio dell'acqua solo **con acqua di rubinetto filtrata**. Ciò è necessario per prolungare il ciclo di vita utile dell'unità di produzione di fiamma e fumo. L'acqua deve essere filtrata attraverso un filtro dell'acqua domestico tradizionale e lo stesso deve essere sostituito periodicamente. L'acqua distillata **non** deve essere utilizzata.
11. Riavvitare il tappo del serbatoio, **senza serrarlo eccessivamente**.
12. Collocare il serbatoio dell'acqua nella vaschetta, con il tappo rivolto verso il basso e il lato piano rivolto verso l'esterno (Fig. 8)

Assemblaggio della stufa

13. Collocare il braciere sopra il serbatoio dell'acqua e l'ugello di condensa (Fig. 9)

Utilizzo del prodotto



AVVERTENZA: LA MANCATA OSSERVANZA DELLE PRESENTI ISTRUZIONI OPERATIVE PUÒ COMPORTARE LESIONI E/O DANNI.

Comandi manuali

I comandi manuali Opti-myst sono situati alla base dell'apparecchiatura.

(Vedere Fig. 2 per la disposizione dei comandi manuali)

Interruttore "A": controlla l'alimentazione elettrica della stufa.

Nota: questo interruttore deve essere in posizione "ON" (I) affinché la stufa funzioni con o senza riscaldamento attivato. Interruttore "B": premerlo  una volta per attivare l'effetto fiamma. Ciò sarà indicato da un segnale acustico. Sebbene le luci principali funzionino immediatamente, l'avvio dell'effetto fiamma richiederà circa 45 secondi. Premere  per porre la stufa in modalità Stand-by. Ciò sarà indicato da un segnale acustico.

Telecomando

Il telecomando è fornito con 2 batterie in una bustina. Sollevare il coperchio del vano batterie sul retro del telecomando e inserire le batterie prestando attenzione alla polarità.

Accensione dell'apparecchiatura

Tenere premuto il pulsante ENTER per 3 secondi per attivare il telecomando. Viene visualizzata la dicitura FIRE (FUOCO) mentre "ON" lampeggia. Premere ENTER per accendere l'apparecchiatura. Per spegnere l'apparecchiatura, premere MENU per far lampeggiare FIRE, quindi premere ENTER due volte.

Regolazione dell'impostazione fiamma

Con il telecomando attivato premere una volta. La dicitura FIRE lampeggia sul display. Premere ENTER. Viene visualizzata l'impostazione di fiamma corrente F1-F6. Premere i pulsanti SU e GIÙ per regolare l'impostazione. Dopo aver selezionato l'impostazione fiamma, premere BACK (INDIETRO) due volte per uscire dal menu e tornare alla schermata iniziale.

Accensione del riscaldamento

Con il telecomando attivato premere MENU una volta. La dicitura FIRE lampeggia sul display. Premere ADV una volta, la dicitura HEAT lampeggia. Premere ENTER. Viene visualizzata l'impostazione di riscaldamento corrente OFF LO HI (SPENTO BASSO ALTO). Premere i pulsanti SU e GIÙ per regolare l'impostazione. Dopo aver selezionato l'impostazione di riscaldamento, premere ENTER.

Impostazione del termostato

La temperatura visualizzata sul display è il set point di temperatura ambiente. Si tratta della temperatura che sarà mantenuta dalla stufa durante i periodi di riscaldamento. Se la temperatura dell'ambiente è superiore a questa temperatura, la stufa non si aziona. La stufa è configurata in fabbrica con tale temperatura impostata a 15°C che rappresenta una tipica temperatura ambiente confortevole. Se si desidera una temperatura ambiente diversa, premere i pulsanti su o giù sulla schermata home finché sul display non è indicata la temperatura richiesta.

Esclusione termica di sicurezza

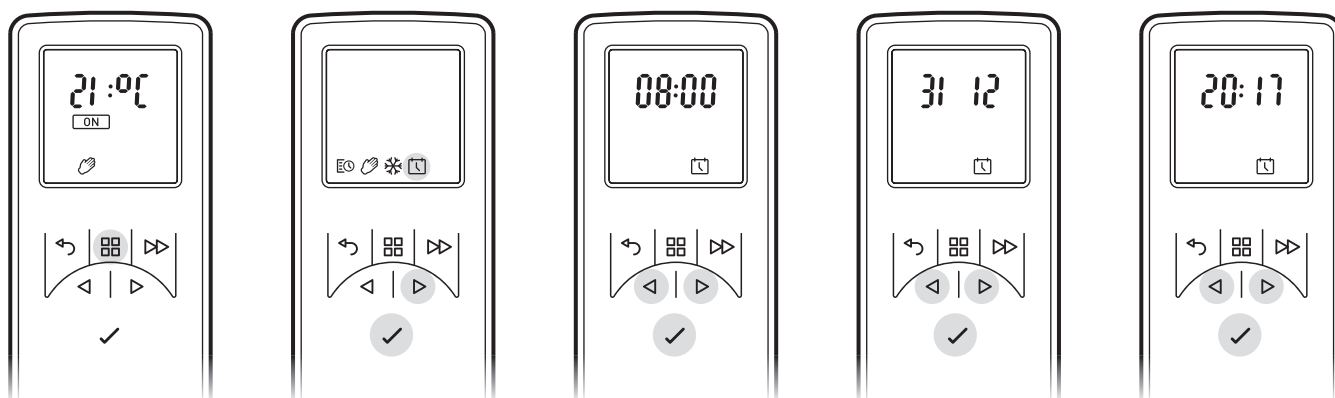
L'esclusione termica di sicurezza è incorporata nella stufa a ventola per evitare danni dovuti al surriscaldamento. Ciò può verificarsi se l'uscita del calore è in qualche modo ostruita. Se l'esclusione termica è attiva, scollegare la stufa dalla presa di rete e attendere 10 minuti prima di ricollegarla. Prima di riaccendere la stufa, rimuovere l'ostruzione all'altezza dell'uscita del calore, quindi proseguire col normale funzionamento.

ATTENZIONE: Al fine di evitare un pericolo dovuto alla reimpostazione involontaria dell'esclusione termica, questa apparecchiatura non deve essere alimentata attraverso un dispositivo di commutazione esterno, quale un temporizzatore, né connessa a un circuito che sia regolarmente attivato/disattivato dall'utenza.

Impostazione della data e dell'ora

Per impostare la data e l'ora sulla stufa:

1. Premere il pulsante Menu
2. Premere il pulsante \wedge 4 volte
3. Premere Enter quando l'icona della data e dell'ora lampeggia
4. Premere Enter per impostare l'Ora
5. Premere v e \wedge per impostare le Ore; premere Enter
6. Premere v e \wedge per impostare i Minuti, premere Enter per confermare l'ora
7. Premere v e \wedge per impostare il Giorno, premere Enter
8. Premere v e \wedge per impostare il Mese, premere Enter
9. Premere v e \wedge per impostare l'Anno, premere Enter per confermare la data



Modalità del funzionamento in remoto

Timer Utente: offre grande flessibilità all'utente. Sono disponibili quattro fasce orarie sull'intera giornata che è possibile personalizzare per ciascun giorno della settimana. Fare riferimento a "Come regolare le modalità timer" per istruzioni su come regolarle passando da quelle di fabbrica per gli orari e le temperature.

Modalità Manuale: Questa modalità scalda la stanza alla temperatura impostata sul telecomando.

Protezione dal gelo: Questa modalità mantiene una temperatura ambiente di 7 °C. Deve essere utilizzata per proteggere dal gelo come indicato dall'icona del ghiaccio.

Scelta e Impostazione di una Modalità

Timer Utente - Per riprogrammare le modalità Timer predefinite in fabbrica:

1. Premere il pulsante Menu
2. Premere una volta ^, l'icona programmata lampeggia. Premere Enter
3. Premere ^ due volte quindi premere Enter
* I giorni della settimana vengono visualizzati sulla parte superiore dello schermo*
Giorno 1 = Lunedì
Giorno 2 = Martedì
Giorno 3 = Mercoledì
Giorno 4 = Giovedì
Giorno 5 = Venerdì
Giorno 6 = Sabato
Giorno 7 = Domenica
4. Premere Enter per modificare il Giorno 1 o Premere ^ per scorrere i giorni e selezionare quello desiderato, quindi Premere Enter per Selezionare
5. P1 viene visualizzato sullo schermo
6. Premere Enter per selezionare P1, per passare a P2, P3 o P4 premere ^ e premere Enter per selezionare
7. Viene evidenziato ON, premere Enter per impostare l'ora di inizio
8. Premere v o ^ per regolare l'Ora iniziale, premere Enter per Confermare
9. Premere v o ^ per regolare i Minuti di inizio, premere Enter per Confermare
10. Premere v o ^ per regolare l'impostazione della Temperatura, premere Enter per Confermare
11. Premere v o ^ per regolare l'Ora di fine, premere Enter per Confermare
12. Premere v o ^ per regolare i Minuti di fine, premere Enter per Confermare

Premere Enter per modificare il Programma P2, seguire i passaggi da 5 a 12, Premere ^ per passare a P3

Premere Enter per modificare il Programma P3, seguire i passaggi da 5 a 12, Premere ^ per passare a P4

Premere Enter per modificare il Programma P4, seguire i passaggi da 5 a 12

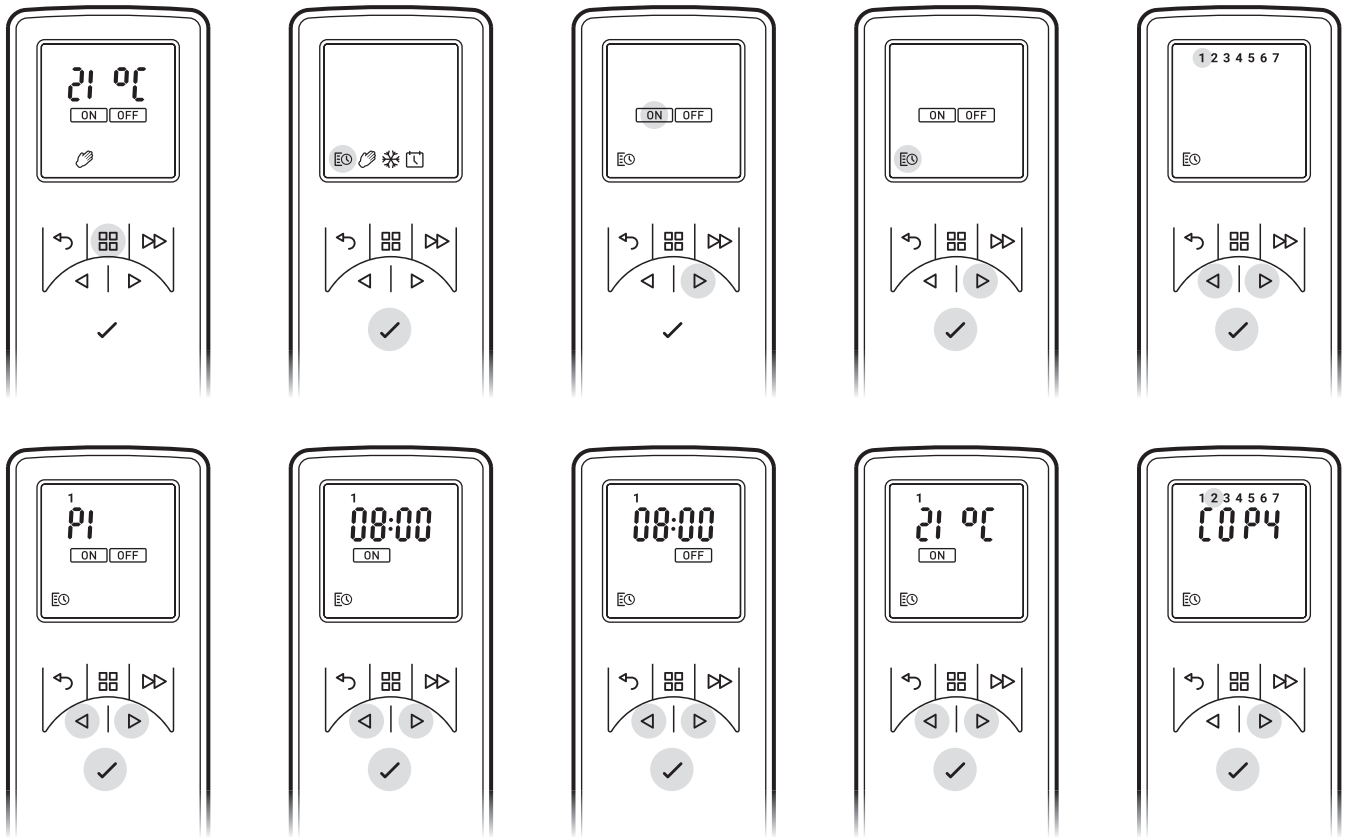
Per copiare programmi di riscaldamento nuovi da P1 a P4 su altri giorni, premere il pulsante Enter.

Ca copia viene visualizzata sullo schermo

Per copiare sul giorno successivo in sequenza, premere il pulsante ^. Per deselezionare il giorno successivo in sequenza premere il pulsante Enter.

I giorni della settimana selezionati vengono visualizzati nella parte superiore dello schermo. I giorni che sono stati deselezionati non saranno visibili (vedere Diagrammi).

Premere Enter per confermare, una retroilluminazione lampeggia e si torna alla schermata principale.

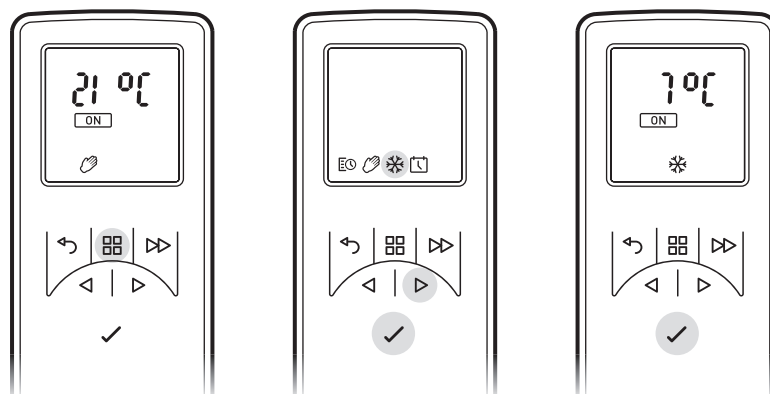


Modalità Manuale - Per scegliere una modalità calore costante. Questa modalità ignora il Timer Utente e mantiene la temperatura visualizzata.

- Premere il pulsante Menu
- Premere due volte ^ per evidenziare l'icona della mano
- Premere Enter per Confermare
- Utilizzare v e ^ per regolare la temperatura desiderata

Protezione dal gelo - La modalità di protezione dal gelo mantiene una temperatura ambiente di 7 °C per un arco di 24 ore. Questa modalità deve essere utilizzata per proteggere dal gelo come indicato dall'icona del ghiaccio.

- Premere il pulsante Menu
- Premere tre volte ^ per evidenziare l'icona a fiocco di neve
- Premere Enter per confermare
- Premere v o ^ per uscire da questa modalità e passare alla modalità manuale.



Ottenere l'effetto fiamma desiderato

1. Sul telecomando premere MENU, FIRE lampeggia sul display, premere ENTER. L'impostazione corrente viene visualizzata. Premere ^ o v per passare da F1 a F6. F1 rappresenta l'impostazione più bassa, F6 l'impostazione più elevata.
2. Generalmente le fiamme appaiono più realistiche quando il controllo fiamma è basso.
3. Lasciar il tempo al generatore di fiamma di adeguarsi alle modifiche apportate.
4. La stufa utilizza meno acqua se l'effetto fiamma viene impostato su un livello basso.
5. Non inclinare o spostare la stufa quando c'è acqua nel serbatoio o nella vaschetta.

6. Assicurarsi che la stufa si trovi su una superficie piana.

Personalizzazione del display

Il valore prefissato della temperatura massima sul prodotto è 32 °C. È possibile ridurre questo valore prefissato. È anche possibile passare da °C a °F

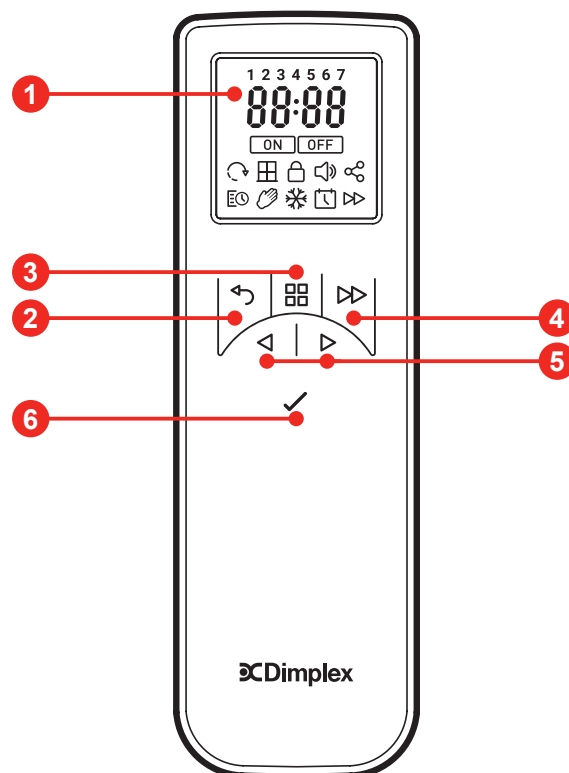
1. Premere il pulsante Menu.
2. Premere due volte il pulsante ADV - SP lampeggia.
3. Premere Enter per confermare.
4. Premere v o ^ per scegliere tra °C °F.
5. Premere Enter per confermare.
6. Premere v o ^ per scegliere il valore prefissato per la temperatura massima.
7. Premere Enter per confermare.
8. Premere BACK tre volte per tornare alla schermata principale

Avvio adattabile

L'elettronica integrata in questa apparecchiatura dispone di una funzione di apprendimento relativa al tempo necessario per riscaldare una stanza. Sapendo quanto rapidamente può essere riscaldata la stanza, l'apparecchiatura è in grado di attivarsi nel momento adatto per rendere la stanza confortevole quando lo si desidera. Ad esempio, se ci si alza alle 7 del mattino, ci si chiede sempre a che ora è necessario accendere il riscaldamento per preriscaldare la stanza in tempo. In base al freddo esterno, la stanza potrebbe essere ancora fredda nel momento in cui si scende dal letto, oppure essere riscaldata troppo presto rispetto al necessario. Avvio adattabile significa che se si selezionano 21 °C alle 7 del mattino, la stufa si accende esattamente nel momento giusto per raggiungere tale temperatura, entrando in funzione più tardi con una temperatura mite, e assicurando una temperatura piacevole e confortevole durante l'inverno. La funzione Avvio Adattabile si attiva automaticamente quando si utilizza la Modalità Timer.

Telecomando

- 1 Schermo display
- 2 Pulsante "Back"
- 3 Pulsante "M"
- 4 Pulsante "Advance"
- 5 Frecche "Su e Giù"
- 6 Pulsante "Enter"



SUGGERIMENTI GENERALI

Utilizzare esclusivamente acqua di rubinetto filtrata per questa apparecchiatura.

Assicurarsi sempre che l'apparecchiatura si trovi su una superficie piana.

Se non si intende utilizzare l'apparecchiatura per più di 2 settimane, rimuovere e svuotare la vaschetta e il serbatoio dell'acqua.

Una volta installata, non spostare l'apparecchiatura e non poggiarla sul lato posteriore senza aver prima scaricato l'acqua dalla vaschetta e dal serbatoio.

L'apparecchiatura non deve essere mai utilizzata se le lampadine non funzionano.

Le lampadine devono essere ispezionate regolarmente secondo quanto descritto in "Sostituzione delle lampadine".

RIEMPIMENTO DEL SERBATOIO

Quando il serbatoio dell'acqua è vuoto, l'effetto fiamma e fumo si disattiva e vengono emessi 2 segnali acustici; attenersi ai passi seguenti.

1. Premere l'interruttore "A" (0) (Fig. 10)
2. Sollevare delicatamente il braciere e metterlo da parte facendo attenzione.
3. Rimuovere il serbatoio dell'acqua sollevandolo ed estraendolo.
4. Collocare il serbatoio dell'acqua nel lavandino e ruotare in senso antiorario il tappo per aprirlo. (Fig. 7)
5. Riempire il serbatoio **solo con acqua di rubinetto filtrata**. Ciò è necessario per prolungare il ciclo di vita utile dell'unità dell'effetto fiamma e fumo.
L'acqua deve essere filtrata attraverso un filtro dell'acqua domestico tradizionale e lo stesso deve essere sostituito periodicamente.
6. Riavvitare il tappo, non serrare eccessivamente.
7. Riportare il serbatoio sulla vaschetta, rivolto verso il basso e con il lato piano rivolto verso l'esterno. (Fig. 8)
8. Riposizionare delicatamente il braciere. (Fig. 9)
9. Portare l'interruttore "A" in posizione "ON" (I) (Fig. 10)

SOSTITUZIONE DELLE LAMPADINE

Se l'effetto fiamma e fumo appare grigio o incolore, è possibile che una o più lampadine siano guaste.

Controllare se le lampadine sono guaste come riportato di seguito.

1. Lasciare l'effetto fiamma acceso, sollevare il braciere e il serbatoio dell'acqua.
2. Dovrebbe essere possibile vedere le lampadine con l'ugello in posizione e osservare quale necessita la sostituzione.
3. Portare l'interruttore "A" in posizione "OFF" (SPENTO), quindi scollegare la stufa dalla presa di rete.
4. Lasciare l'apparecchiatura scollegata per 20 minuti affinché le lampadine si raffreddino prima di rimuoverle.
5. Rimuovere la vaschetta come descritto nella Sezione Pulizia.
6. Rimuovere la lampadina difettosa sollevandola delicatamente in direzione verticale e sfilandola dai contatti del porta lampadina, (Vedere Fig. 4 e 4a).
Sostituire con una lampadina colorata originale OPTIMYST, angolo del fascio luminoso di 8°, attacco Gu5.3 da 12 V, 45 W. (da acquistare presso il proprio fornitore)
7. Inserire delicatamente i due contatti della nuova lampadina nei due fori del porta lampadina. Spingere la lampadina saldamente in posizione. (Fig. 4 e 4a).
8. Ricollocare la vaschetta, l'ugello, il serbatoio dell'acqua e il braciere.

PULIZIA

Avvertenza - Portare l'interruttore "A" in posizione "OFF" (0) (Fig. 10) e scollegare l'unità dalla presa di rete prima di pulire la stufa.

Si consiglia di pulire i seguenti componenti una volta ogni 2 settimane, soprattutto nelle aree in cui la durezza dell'acqua è elevata:

Serbatoio dell'acqua, Vaschetta, Bocchetta, Tappo del serbatoio e guarnizione, Filtro dell'aria.

Per la pulizia generale, utilizzare un panno morbido e pulito – non utilizzare mai detergenti abrasivi.

Per rimuovere l'eventuale accumulo di polvere o pilucchi, utilizzare occasionalmente la spazzola morbida dell'aspirapolvere per pulire la griglia di uscita del riscaldatore a ventola.

Serbatoio dell'acqua

1. Rimuovere l'acqua dal serbatoio, come descritto in precedenza, sistemare nel lavabo e svuotare l'acqua.
2. Mediante la spazzola in dotazione, strofinare delicatamente le superfici del tappo prestando particolare attenzione all'anello in gomma nella scanalatura esterna e la guarnizione in gomma centrale.
3. Versare una piccola quantità di detergente per stoviglie nel serbatoio, riavvitare il tappo e scuotere bene, sciacquare fino alla completa assenza di schiuma del detergente.
4. Riempire esclusivamente con acqua di rubinetto filtrata, ricollocare il tappo, senza serrarlo eccessivamente.

Vaschetta

1. Portare l'interruttore "A" in posizione **(0)** "OFF".
2. Sollevare delicatamente il braciere e collocarlo con cura a terra.
3. Rimuovere il serbatoio dell'acqua sollevandolo.
4. Scollegare il connettore elettrico, situato sul lato destro della vaschetta. (Fig. 5)
5. Rilasciare le linguette di bloccaggio vaschetta a destra ruotandole di 90°. Ciò consente di sollevare completamente la vaschetta dalla sua posizione. (Fig. 11)
6. Sollevare delicatamente la vaschetta, facendo attenzione a mantenere il livello e non far fuoriuscire l'acqua. Collocare il gruppo nel lavabo.
7. Rilasciare le linguette di bloccaggio vaschetta a sinistra ruotandole di 90°, quindi rimuovere l'ugello sollevandolo. (Fig. 3)
8. Rimuovere il trasduttore sollevandolo, quindi inclinarlo delicatamente per far sì che il liquido fuoriesca dalla vaschetta. (Fig. 13)
9. Versare una piccola quantità di detergente per stoviglie nella vaschetta e, mediante la spazzola in dotazione, pulire delicatamente tutte le superfici della vaschetta e il trasduttore, inclusi i dischi metallici situati sulla superficie scanalata superiore. (Fig. 14)
10. Terminata la pulizia, risciacquare scrupolosamente la vaschetta con acqua pulita per rimuovere qualsiasi traccia di detergente.
11. Pulire l'ugello con la spazzola e risciacquare scrupolosamente con acqua. (Fig. 15)
12. Per rimontare seguire la procedura inversa.

Filtro dell'aria

1. Sollevare delicatamente il braciere e collocarlo con cura a terra.
2. Estrarre il filtro dell'aria dal supporto in plastica facendolo scorrere delicatamente verso l'alto. (Fig. 16)
3. Risciacquare delicatamente con acqua nel lavandino e asciugare con un panno in tessuto prima di rimontarlo.
4. Ricollocare il filtro accertandosi che il filtro nero grossolano sia rivolto verso la parte anteriore della stufa.
5. Ricollocare il braciere

Informazioni supplementari

ASSISTENZA POST-VENDITA

Il prodotto è garantito per due anni dalla data di acquisto. Entro questo periodo, sarà nostra cura riparare o sostituire gratuitamente il prodotto (con l'esclusione delle lampade e secondo disponibilità), a condizione che sia stato installato e utilizzato in conformità alle presenti istruzioni. I diritti del cliente ai sensi della presente garanzia sono aggiuntivi rispetto ai diritti statutari, che a loro volta non sono pregiudicati dalla presente garanzia.

RICICLAGGIO



Per i prodotti elettrici venduti all'interno della Comunità Europea - Al termine del ciclo di vita utile dei prodotti elettrici questi non devono essere smaltiti insieme ai normali rifiuti domestici. Riciclare ove possibile. Rivolgersi all'autorità locale o rivenditore come smaltire il prodotto nel proprio paese.

BREVETTI/DOMANDA DI BREVETTO

I prodotti della gamma Optimyst sono protetti da uno o più dei seguenti brevetti e domande di brevetto:

Gran Bretagna GB 2402206, GB 2460259, GB 2460453, GB 2418014, GB 2465738, GB 2449925, GB 2465537, GB 2455277, GB1020534.2, GB1020537.5, GB1110987.3

Stati Uniti US 7967690, US 2010299980, US 2011062250, US 2008028648, US 13/167,042

Russia RU2008140317

Europa EP 2029941, EP 2201301, EP 2315976, EP 1787063, EP07723217.1, EP11170434.2, EP 11170435.9

Cina CN 101883953, CN 200980128666.2, CN 101057105, CN 101438104

Australia AU 2009248743, AU 2007224634

Canada CA 2725214, CA 2579444, CA 2645939

Domanda di brevetto internazionale WO 2006027272

Sud Africa ZA 200808702

Messico MX 2008011712

Corea KR 20080113235

Giappone JP 2009529649

Brasile BR P10708894-9

India IN 4122/KOLNP/2008

Nuova Zelanda NZ 571900

Risoluzione dei problemi

Sintomo	Causa	Soluzione
L'effetto fiamma non si avvia.	<p>La presa non è collegata.</p> <p>Livello acqua basso.</p> <p>Connettore bassa tensione non collegato correttamente. (Fig. 5)</p> <p>L'unità del trasduttore non è posizionata correttamente nella vaschetta</p>	<p>Verificare che la spina sia collegata adeguatamente alla presa a parete.</p> <p>Verificare che il serbatoio dell'acqua sia pieno e che vi sia acqua nella vaschetta.</p> <p>Verificare che il connettore sia inserito adeguatamente. (Fig. 5)</p> <p>Assicurarsi che il Trasduttore sia alloggiato nel vano stampato all'interno della vaschetta</p>
L'effetto fiamma è troppo basso.	<p>La manopola dell'effetto fiamma è impostato su un livello troppo basso. (Fig. 10)</p> <p>Il disco metallico nel trasduttore potrebbe essere sporco (Fig. 14)</p> <p>Il filo dall'Unità del Trasduttore si trova al di fuori del disco di metallo</p>	<p>Aumentare il livello della fiamma mediante il telecomando (vedere la sezione "Utilizzo del prodotto")</p> <p>Pulire il disco metallico con la spazzola morbida in dotazione. (Fig. 14) Vedere "Manutenzione" per la procedura passo a passo.</p> <p>Sistemare il filo sul retro della vaschetta ed assicurarsi che si trovi sulla fessura laterale di uscita della vaschetta.</p>
Odore sgradevole durante l'utilizzo dell'unità.	<p>Acqua sporca o stantia.</p> <p>Utilizzo di acqua di rubinetto non filtrata.</p>	<p>Pulire l'unità come descritto nella sezione sulla manutenzione.</p> <p>Utilizzare esclusivamente acqua di rubinetto filtrata.</p>
L'effetto fiamma produce troppo fumo.	L'impostazione dell'effetto fiamma è troppo elevata.	Ruotare la manopola di comando dell'effetto fiamma "D" verso destra, di circa ¼ di giro alla volta. Attendere che il generatore di fiamma si regoli sulla nuova impostazione. (Fig. 10)
Le lampadine principali non funzionano e non sono presenti fiamme o fumo.	Non c'è acqua nel serbatoio dell'acqua	<p>Seguire le istruzioni nella sezione Manutenzione, "Riempimento del serbatoio dell'acqua".</p> <p>Verificare che la spina sia collegata correttamente alla presa di rete e che l'Interruttore "A" Fig. 10 sia in posizione "ON" (I).</p>

Introducción

Lea atentamente esta guía de información para poder instalar, utilizar y mantener su producto con seguridad.

Aviso importante sobre seguridad

PRECAUCIÓN: NO SEGUIR ESTAS INSTRUCCIONES PUEDE CAUSAR LESIONES Y/O DAÑOS Y PUEDE ANULAR SU GARANTÍA

Aviso importante sobre seguridad

Al utilizar aparatos eléctricos, deberán adoptarse en todo momento precauciones básicas para reducir riesgos de incendio, descarga eléctrica y lesiones personales, como por ejemplo:

- Si el aparato está dañado, consulte al proveedor antes de la instalación y puesta en funcionamiento.
- No lo utilice en el exterior.
- No utilizar cerca de un baño, ducha o piscina.
- No situar el aparato inmediatamente debajo de una toma de corriente fija o cuadro de conexiones.

Advertencia: Esta estufa solo debe utilizarse para fines domésticos normales en el país donde se compró a un minorista comercial reconocido.

Este electrodoméstico puede ser utilizado por niños de 8 años en adelante y personas cuyas capacidades físicas, sensoriales o mentales estén disminuidas o que carezcan de la experiencia y conocimientos suficientes para manejarlo, siempre que cuenten con las instrucciones o la supervisión sobre el uso del electrodoméstico de forma segura y comprendan los riesgos. Este aparato no es un juguete para niños. La limpieza y mantenimiento no deberá realizarse por niños sin supervisión.

Se debe mantener alejados del aparato a los niños menores de 3 años, a menos que estén continuamente supervisados. Los niños de entre 3 y 8 años de edad solo deberán encender/apagar el aparato si este se ha colocado o instalado en su posición normal de funcionamiento y el niño está supervisado o ha recibido instrucciones sobre el uso seguro del aparato y comprende los peligros que existen. Los niños de entre 3 y 8 años de edad no deben enchufar, regular ni limpiar el aparato ni llevar a cabo tareas de mantenimiento.

Advertencia: Este aparato necesita conexión a tierra.

No se recomienda el uso de un cable de extensión o adaptador de enchufes múltiples para conectar este producto a la red eléctrica. La conexión a través de estos dispositivos podría ocasionar un riesgo de sobrecarga, sobrecalentamiento e incluso fuego en el cable de extensión o el adaptador debido a una calidad de conexión inadecuada.

Este calefactor deberá utilizarse solo con una toma de corriente ~alterna (~) y el voltaje marcado en el calefactor deberá corresponder con el voltaje de la corriente.

No utilice este aparato en serie con un control de temperatura, controlador de programas, temporizador o ningún otro aparato que encienda automáticamente el calefactor, ya que existe riesgo de incendio si el aparato se cambia de posición o se cubre accidentalmente.

NO use el calentador sobre alfombras de pelo largo ni alfombras de pelo espeso, ni a menos de 750 mm (30") de distancia de cualquier superficie que sobresalga. Mantenga los materiales combustibles, como cortinas y otros muebles, apartados de la parte delantera, los laterales y la parte posterior del calentador. No use el calentador para secar la ropa.

En caso de fallo, desenchufe el aparato. Desenchufe el aparato cuando no se vaya a utilizar durante periodos prolongados.

Este aparato debe colocarse de modo que el enchufe quede accesible. Si el cable eléctrico está dañado debe ser sustituido por el fabricante o agente de servicio o persona con cualificación similar para evitar peligros. Mantenga el cable eléctrico apartado del frontal del aparato.

Precaución: Algunas piezas de este producto pueden calentarse mucho y provocar quemaduras. Deberá prestarse especial atención si hay niños o personas vulnerables presentes.

Advertencia: Para evitar que se produzca sobrecalentamiento, no cubra el aparato. No coloque ningún material u objeto de tela sobre el aparato, ni obstruya la circulación de aire alrededor del mismo, por ejemplo con cortinas o muebles, ya que la unidad podría sobrecalentarse y existiría riesgo de incendio.

El aparato presenta el símbolo de advertencia “NO CUBRIR”.

Advertencia: Para evitar peligros debido al reinicio involuntario del desconectador térmico, este aparato no debe recibir corriente de un dispositivo con interruptor externo, como puede ser un temporizador, ni conectarse a un circuito con conexión y desconexión automáticas por parte de la compañía eléctrica.

Información general

Solo use agua filtrada en este electrodoméstico.

Asegúrese siempre de que el electrodoméstico esté colocado sobre una superficie nivelada.

Aunque este aparato cumple las normas de seguridad, no se recomienda su uso sobre alfombras de pelo espeso o alfombrillas de pelo largo.

Por favor, tenga en cuenta que: Si lo utiliza en un entorno con muy poco ruido de fondo, es posible que oiga algún sonido relacionado con el funcionamiento del efecto de llama. Esto es normal y no debe preocuparle.

Si el aparato experimenta una sobretensión por cualquier motivo, es posible que se apague. Se trata de una característica normal de seguridad y el aparato reanudará su funcionamiento después de 30 segundos.

Una vez instalado, nunca mueva este electrodoméstico ni lo apoye sobre su parte posterior sin drenar el agua del sumidero y del tanque de agua.

Si tiene la intención de no usar el aparato durante más de 2 semanas, drene el agua del sumidero y del tanque de agua y seque el sumidero.

El tanque de agua, el sumidero, la tapa del sumidero, la tapa del tanque y los filtros de aire deben limpiarse una vez cada 2 semanas, particularmente en áreas con agua dura.

Nunca se debe poner en funcionamiento el aparato si las lámparas no funcionan.

Las lámparas deben inspeccionarse con regularidad, tal y como se describe en “Mantenimiento” y “Cambio de las bombillas”.

Información técnica

Modelo n.º: ENG56-400 E, ENG68-400 E, ENG56-600 E

Producción de calor		230 V	240 V	
Producción de calor nominal	P_{Nom}	1,8	2,0	kW
Producción de calor mínima	$P_{mín.}$	0,9	1,0	kW
Máxima producción de calor continuo	$P_{máx.}$	1,8	2,0	kW
Consumo de electricidad auxiliar				
En modo de espera	P_{Nom}	0,45	0,48	W

control electrónico de la temperatura de la sala más temporizador semanal

Instrucciones importantes

En esta sección se describe cómo instalar su fuego de chimenea.

ANTES DE COMENZAR

1. Asegúrese de retirar todos los elementos de embalaje (lea detenidamente las etiquetas de advertencia) y guarde todo el embalaje para un posible uso futuro; por ejemplo, en caso de mudanza o de que decida devolver el aparato al proveedor.
2. Antes de conectar el aparato, compruebe que el voltaje de la corriente de la red eléctrica sea el mismo que el indicado en el aparato.

Instalación de una cubierta de chimenea doméstica

1. Al instalar este aparato con una cubierta, asegúrese de elegir una cubierta que sea adecuada para su aparato (fig. 18). **Debe haber un respiradero en la parte frontal de la cubierta de la chimenea doméstica de al menos 88**

cm2. Es fundamental asegurarse de que pueda circular aire hacia el aparato, de lo contrario el efecto de llama Opti-myst no funcionará correctamente. El pasaje de aire no debe estar obstruido

2. Retire los 4 soportes de separación de la parte frontal del aparato (Fig. 19)
3. Deslice el aparato completamente hacia la cubierta de chimenea desde la parte posterior y asegúrese de que queda asentado en el centro de la cubierta. Utilizando los tornillos apropiados (no suministrados) fije el aparato en su posición (Fig. 20)
4. Asegúrese de colocar la chimenea doméstica a una distancia no superior a 1 m de la toma de corriente de la pared (Fig. 21)

Instalación en una cavidad o recoveco de la pared

1. Anote las dimensiones del producto en la figura 1 y construya una estructura adecuada para que el aparato pueda colocarse a una distancia no superior a 1 m de la toma de corriente (fig. 22) Utilizando los tornillos apropiados (no suministrados) fije el aparato en posición.
2. Observe las ranuras de ventilación del aparato. Están ubicadas en la base frontal y por debajo del aparato.
3. Construya la pared hacia arriba y en contacto con el aparato utilizando los soportes separadores como guía.
4. **Debe haber un respiradero en la parte frontal de la estructura de al menos 88 cm². Es fundamental asegurarse de que el aire pueda circular hacia el aparato, de lo contrario el efecto de llama Opti-myst no funcionará correctamente. Este conducto de paso del aire no debe estar obstruido. Para ver ejemplos de respiraderos en una cavidad o recoveco de la pared, consulte la figura 23.**

Conexión del transductor y las bombillas

1. Suelte las dos pestañas rojas girándolas 90 grados (fig. 2).
2. Levante y saque la boquilla del sumidero (fig. 3).
3. Inserte las bombillas en sus soportes (fig. 4), colocando cuidadosamente las patillas en los orificios (fig. 4a).
4. Empuje las bombillas firmemente en su lugar.
5. Coloque el transductor en el sumidero y una el cable al conector del sumidero (fig. 5).
6. Para asegurarse de que el transductor esté correctamente colocado en el sumidero, la pestaña del transductor debe estar alineada con el recoveco moldeado del sumidero (fig. 5a).
7. Asegúrese de que el cable no esté colocado por encima del disco sobre el transductor (fig. 5b). Para impedir que el cable quede pellizcado entre la boquilla y el sumidero, colóquelo en la ranura de la pared del sumidero.
8. Vuelva a colocar la boquilla del sumidero y fijela firmemente girando las dos lengüetas rojas 90 grados (fig. 6).

Llenado del tanque de agua

9. Coloque el tanque de agua en el fregadero y retire la tapa girándola en sentido contrario a las agujas del reloj para abrirla (fig. 7).
10. Llene el tanque de agua **solamente con agua de grifo filtrada**. Esto es necesario para prolongar la vida de la unidad productora de llama y humo. El agua debe filtrarse a través de una unidad de filtro de agua doméstica convencional y el filtro debe cambiarse con regularidad. No se debe utilizar **agua** destilada.
11. Vuelva a enroscar el tapón; **no lo apriete demasiado**.
12. Coloque el tanque de agua en el sumidero, con el tapón del tanque de agua hacia abajo y el lado plano del tanque hacia afuera (fig. 8).

Montaje de la chimenea

13. Coloque la plataforma de combustible sobre la parte superior del tanque de agua y boquilla nebulizadora (fig. 9).

Uso del producto

ADVERTENCIA: NO SEGUIR ESTAS INSTRUCCIONES DE FUNCIONAMIENTO PUEDE CAUSAR LESIONES Y/O DAÑOS.


Controles manuales

Los controles manuales de Opti-myst se encuentran en la base del dispositivo.

(Consulte la fig. 2 para ver el diseño de control manual)

Interruptor 'A': controla el suministro de electricidad a la estufa.

Nota: Este interruptor debe estar en la posición "Encendido" (I) para que la estufa funcione con o sin calor cuando se activa.

Interruptor 'B': púlselo  una vez para encender el efecto de la llama. Esto se indicará con un "pitido" sonoro. Aunque las luces principales funcionan inmediatamente, pasarán otros 45 segundos antes de que comience el efecto de la llama.

Pulse  para poner la estufa en modo de espera. Esto se indicará con un "pitido".

Mando a distancia

El control remoto está empaquetado junto a 2 pilas AA en una bolsa. Levante la tapa de las pilas de la parte posterior del control remoto e inserte las pilas teniendo en cuenta la polaridad.

Encender el aparato

Mantenga pulsado el botón ENTER durante 3 segundos para activar el control remoto. Se mostrará FIRE (Fuego) y ON (Encendido) parpadeará. Pulse ENTER para encender el aparato. Para apagar el dispositivo, pulse MENÚ para que FIRE (fuego) esté parpadearando y, a continuación, pulse ENTER dos veces.

Ajuste la configuración de la llama

Con el control remoto activado, pulse una vez. FIRE (fuego) parpadeará en la pantalla. Pulse ENTER. La configuración actual de la llama se mostrará entre F1 y F6. Pulse los botones UP y DOWN para ajustar los valores. Después de haber seleccionado su configuración de llama, pulse BACK dos veces para salir del menú y volver a la pantalla de inicio.

Encender el calor

Con el control remoto activado, pulse MENU una vez. FIRE (fuego) parpadeará en la pantalla. Pulse ADV una vez y HEAT (calor) parpadeará. Pulse ENTER. La configuración actual de calor mostrará OFF (apagado) LO (bajo) y HI (alto). Pulse los botones UP y DOWN para ajustar los valores. Después de haber seleccionado su configuración de llama, pulse ENTER.

Configuración del termostato

La temperatura que se muestra en la pantalla es el punto de ajuste de la temperatura ambiente. Esta es la temperatura que el calentador mantendrá durante los períodos de calentamiento. Si la temperatura ambiente es superior a esta temperatura, el calentador no funcionará. El calentador sale de la fábrica con esta temperatura establecida en 15 °C que representa la temperatura ambiente habitualmente cómoda. Si necesita una temperatura ambiente diferente, pulse arriba o abajo en la pantalla de inicio hasta que la pantalla muestre la temperatura que necesite.

Interrupción térmica de seguridad

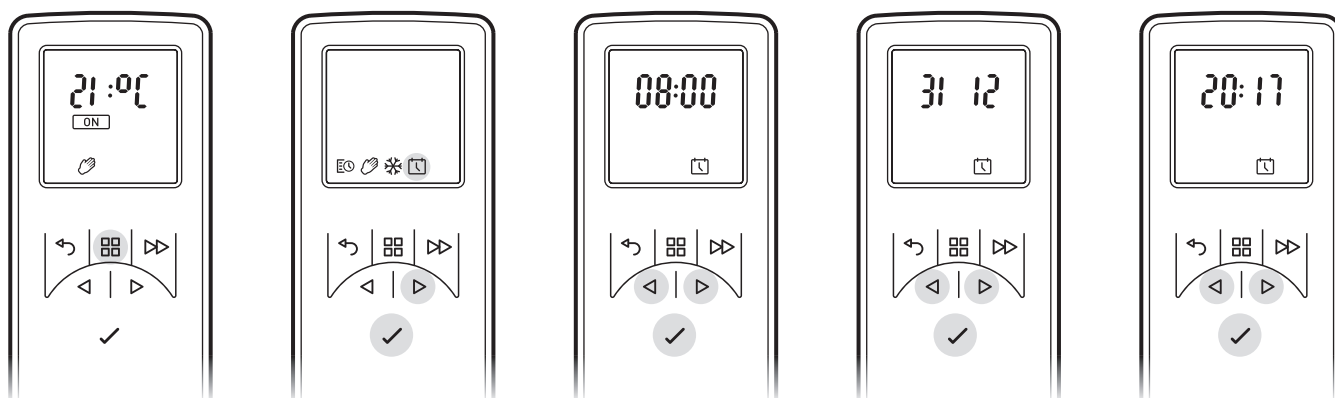
Se ha incorporado un desconectador térmico de seguridad en el calentador del ventilador para evitar daños por sobrecalentamiento. Esto puede suceder si la salida de calor está restringida de alguna manera. Si se activa el desconectador, desenchufe el calentador de la toma de corriente y espere aproximadamente 10 minutos antes de volver a conectarlo. Antes de volver a encender el calentador, elimine cualquier obstrucción que pueda estar restringiendo la salida de calor y después continúe con el funcionamiento normal.

PRECAUCIÓN: Para evitar peligros debido al reinicio involuntario del desconectador térmico, este aparato no debe recibir corriente de un dispositivo con interruptor externo, como puede ser un temporizador, ni conectarse a un interruptor con conexión y desconexión automáticas por parte de la compañía eléctrica.

Configurar la fecha y la hora

Para establecer la fecha y la hora en el calentador;

1. Pulse el botón Menú
2. Pulse el botón ^ 4 veces
3. Pulse Enter cuando parpadee el icono de Fecha y hora
4. Pulse Enter para configurar la hora
5. Pulse v y ^ para configurar la hora y pulse Enter
6. Pulse v y ^ para configurar los minutos y pulse Enter para confirmar la hora
7. Pulse v y ^ para configurar el día y pulse Enter
8. Pulse v y ^ para configurar el mes y pulse Enter
9. Pulse v y ^ para configurar el año y pulse Enter para confirmar la fecha



Modos de funcionamiento remoto

Temporizador de usuario: ofrece la mayor flexibilidad al usuario. Hay cuatro espacios de tiempo disponibles durante todo el día que se pueden personalizar para cada día de la semana. Consulte “Cómo ajustar los modos del temporizador” para obtener instrucciones sobre cómo ajustar estos espacios desde los períodos y las temperaturas predeterminados de fábrica.

Modo manual: Este modo calienta la habitación a la temperatura a la que ha configurado el control remoto.

Protección contra las heladas: Este modo mantendrá una temperatura ambiente de 7 °C. Este modo se debe usar para proporcionar protección contra las heladas tal como lo indica el icono de escarcha.

Elegir y configurar un modo

Temporizador de usuario: para volver a programar los modos de temporizador predeterminados de fábrica:

1. Pulse el botón Menú
2. Pulse ^ una vez para programar el icono que parpadea. Pulse Enter
3. Pulse ^ dos veces y, a continuación, pulse Enter

Los días de las semanas se mostrarán en la parte superior de la pantalla

- Día 1 = Lunes
- Día 2 = Martes
- Día 3 = Miércoles
- Día 4 = Jueves
- Día 5 = Viernes
- Día 6 = Sábado
- Día 7 = Domingo

4. Pulse Enter para modificar el Día 1 o pulse ^ para navegar hasta el día deseado y pulse Enter para seleccionarlo
5. P1 se mostrará en la pantalla
6. Pulse Enter para seleccionar P1, para navegar a P2, P3 o P4 pulse ^ y pulse Enter para seleccionarlo
7. ON (encendido) se verá destacada, pulse Enter para configurar el tiempo de encendido
8. Pulse v o ^ para ajustar la hora y pulse Enter para confirmar
9. Pulse v o ^ para ajustar los minutos y pulse Enter para confirmar
10. Pulse v o ^ para ajustar el ajuste de temperatura y pulse Enter para confirmar
11. Pulse v o ^ para ajustar la hora de apagado y pulse Enter para confirmar
12. Pulse v o ^ para ajustar los minutos de apagado y pulse Enter para confirmar

Pulse Enter para modificar el Programa P2, siga los pasos 5-12 y pulse ^ para pasar a P3

Pulse Enter para modificar el Programa P3, siga los pasos 5-12 y pulse ^ para pasar a P4

Pulse Enter para modificar el Programa P4, siga los pasos 5-12

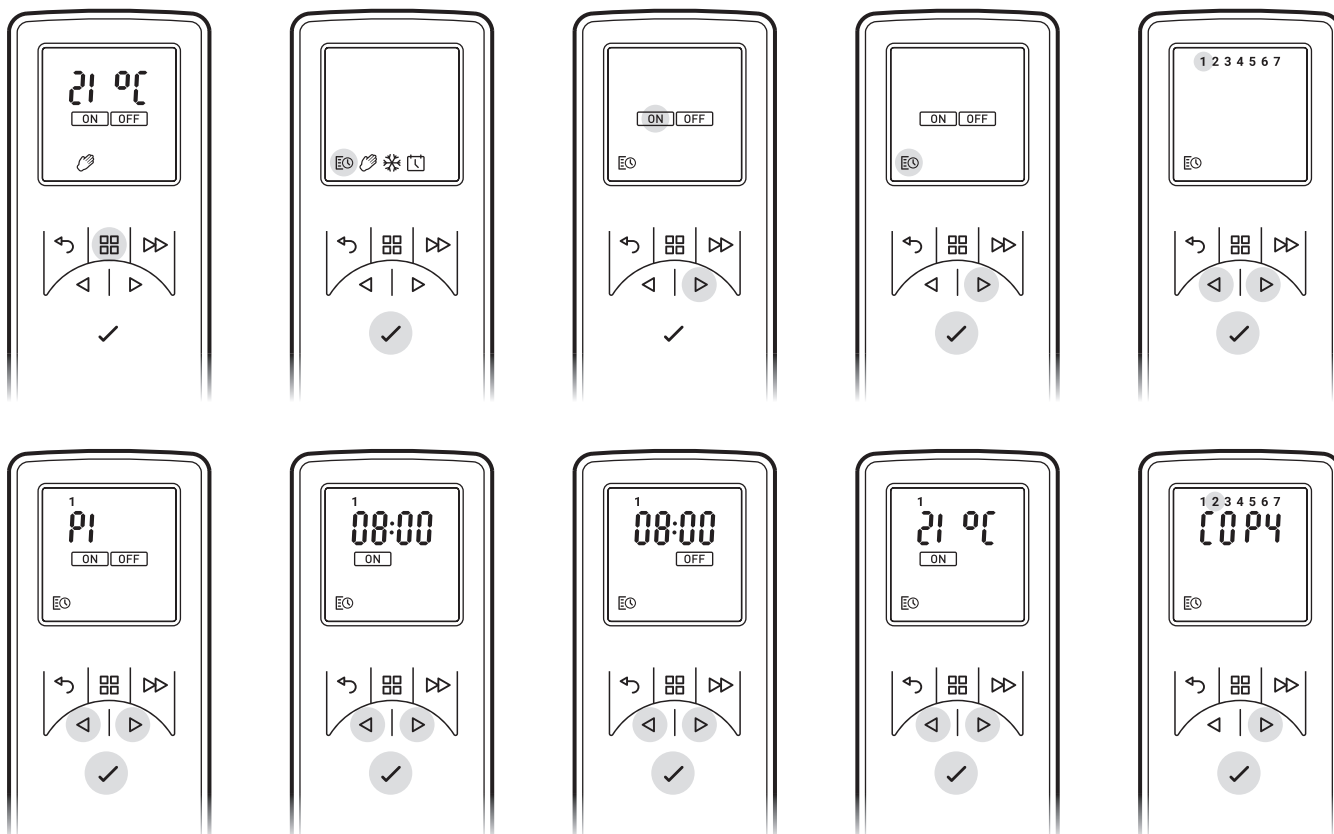
Para copiar programas de calefacción P1-P4 recientemente programados a otros días, pulse el botón Enter.

Copy (copiar) se mostrará en la pantalla

Para copiar los ajustes al día siguiente en secuencia, pulse el botón ^. Para anular la selección del día siguiente en secuencia, pulse Botón Enter.

Los días de la semana que se seleccionen se mostrarán en la parte superior de la pantalla. Los días que se hayan desmarcado no serán visibles (ver Diagramas).

Pulse Enter para confirmar, la retroiluminación parpadeará y volverá a la pantalla de inicio.

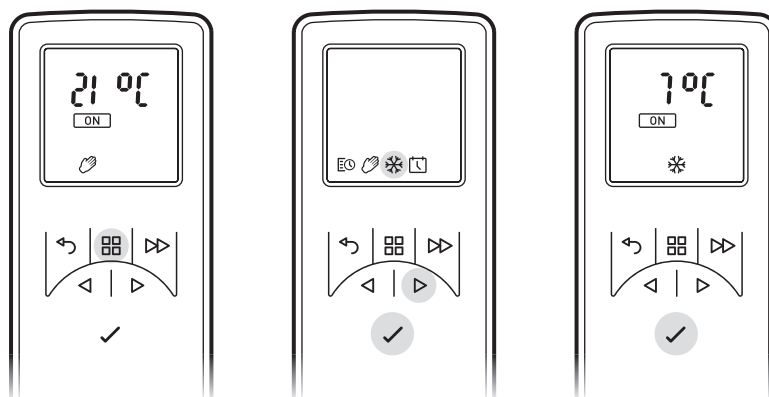


Modo manual - Para elegir un modo de calor constante. Este modo ignora el temporizador de usuario y mantiene la temperatura mostrada.

- Pulse el botón Menú
- Pulse ^ dos veces para resaltar el icono de la Mano
- Pulse Enter para confirmar
- Use v y ^ para ajustar la temperatura deseada

Protección contra las heladas - El modo de protección contra heladas mantiene una temperatura ambiente de 7 °C durante un período de 24 horas. Este modo se debe usar para proporcionar protección contra las heladas tal como lo indica el icono de escarcha.

- Pulse el botón Menú
- Pulse ^ tres veces para resaltar el icono del copo de nieve
- Pulse Enter para confirmar
- Pulse v o ^ para salir de este modo y entrar al modo manual.



Obtener el efecto de llama deseado

1. Con el control remoto pulse MENU, FIRE (fuego) parpadeará en la pantalla; pulse ENTER. Se mostrará la configuración actual. Pulse ^ o v para alternar entre F1 y F6. F1 es la configuración más baja y F6 es la configuración más alta.
2. En general, las llamas parecen más realistas cuando se baja el control de la llama.
3. Dé tiempo al generador de llama para reaccionar a los cambios que pueda hacer.
4. La estufa usará menos agua si el efecto de la llama se establece en un nivel inferior.
5. No incline ni mueva el fuego mientras haya agua en el tanque o sumidero.
6. Asegúrese de que la estufa esté situada sobre una superficie nivelada.

Personalización de la pantalla

El punto de ajuste de temperatura máxima en el producto es de 32 °C. Tiene la opción de reducir este punto de ajuste. También puedes cambiar de °C a °F

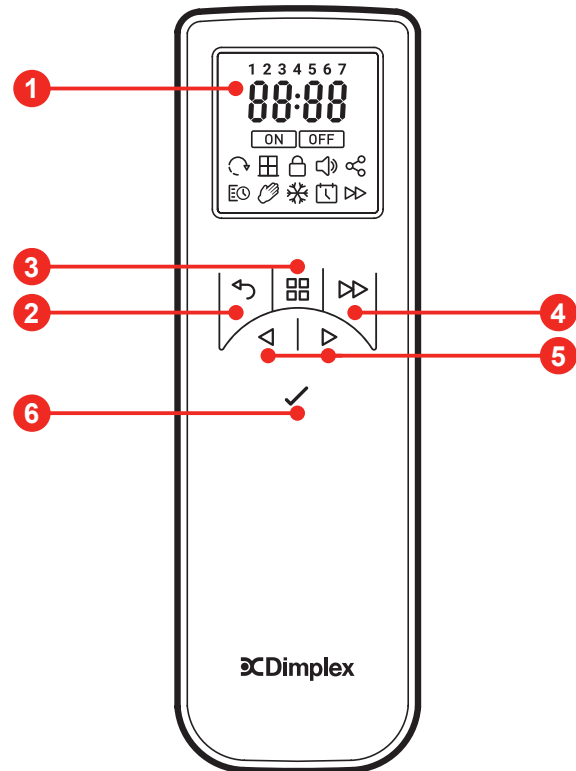
1. Pulse el botón Menú.
2. Pulse el botón ADV dos veces: parpadeará SP.
3. Pulse Enter para confirmar.
4. Pulse v o ^ para elegir entre °C y °F.
5. Pulse Enter para confirmar.
6. Pulse v o ^ para elegir el punto de ajuste de temperatura máxima.
7. Pulse Enter para confirmar.
8. Pulse BACK (atrás) tres veces para volver a la pantalla de inicio.

Inicio adaptativo

La electrónica incorporada en este aparato tiene una función de aprendizaje en lo que se refiere a cuánto tiempo lleva calentar una habitación. Después de haber aprendido lo rápido que puede calentar la habitación, el aparato puede encenderse en el momento justo para que la habitación alcance una temperatura confortable cuando lo desee. Por ejemplo, si se levanta a las 7 a. m., normalmente tendría que adivinar cuándo encender la calefacción para precalentar la habitación a tiempo. Dependiendo del frío que haya fuera, esto podría significar que la habitación todavía esté fría cuando haya que levantarse de la cama, o que haya estado caliente durante media hora antes de lo necesario. El Inicio adaptativo significa que si selecciona 21 °C a las 7 a. m., el calentador se encenderá exactamente cuando sea necesario para cumplir con este objetivo, estará funcionando durante periodos de tiempo más cortos cuando el clima sea templado y garantizará que la habitación esté agradable y cálida en el invierno.

La función Inicio adaptativo se activará automáticamente cuando utilice el modo Temporizador.

- 1 Pantalla de visualización
- 2 Botón "Back" (atrás)
- 3 Botón "Menú"
- 4 Botón "Advance" (avanzar)
- 5 Flechas Arriba y Abajo
- 6 Botón "Enter"



Mantenimiento

CONSEJOS DE TIPO GENERAL

Solo use agua del grifo filtrada en este electrodoméstico.

Asegúrese siempre de que el electrodoméstico esté colocado sobre una superficie nivelada.

Si tiene la intención de no usar el aparato durante más de 2 semanas, quite y vacíe el sumidero y el tanque de agua. Una vez instalado, nunca mueva este electrodoméstico ni lo apoye sobre su parte posterior sin drenar el agua del sumidero y del tanque de agua.

Nunca se debe poner en funcionamiento el aparato si las lámparas no funcionan.

Las lámparas deben inspeccionarse con regularidad, tal y como se describe en "Cambio de las bombillas".

LLENADO DEL TANQUE DE AGUA

Cuando el tanque de agua está vacío, el efecto de llama y humo se apaga y escuchará 2 pitidos sonoros; siga estos pasos.

1. Ponga el interruptor 'A' en **(0)** (Fig.10)
2. Levante suavemente la plataforma de combustible y déjela a un lado con cuidado.
3. Retire el tanque de agua levantándolo hacia arriba y hacia afuera.
4. Coloque el tanque de agua en el fregadero y retire la tapa, en sentido contrario a las agujas del reloj para abrirla. (Fig. 7)
5. Llene el tanque **solamente con agua de grifo filtrada**. Esto es necesario para prolongar la vida de la unidad productora de llama y humo.
El agua debe filtrarse a través de una unidad de filtro de agua doméstica convencional y el filtro debe reemplazarse regularmente.
6. Vuelva a atornillar la tapa, no la apriete demasiado.
7. Vuelva a colocar el tanque de agua en el sumidero, con el tapón del tanque hacia abajo y el lado plano del tanque hacia afuera. (Fig. 8)
8. Coloque suavemente la plataforma de combustible en su lugar. (Fig. 9)
9. Ponga el interruptor 'A' en la posición 'ON' **(I)** (Fig. 10)

CAMBIO DE BOMBILLAS

Si el efecto de llama y humo parece gris o incoloro, es posible que una o más bombillas hayan fallado.

Puede verificar el fallo de la bombilla de la siguiente manera.

1. Dejando el efecto de llama encendido, levante y saque la plataforma de combustible y el tanque de agua.
2. Debe ser posible ver las bombillas con la boquilla en posición y saber cuál se debe cambiar.
3. Ponga el interruptor 'A' en la posición 'OFF' y desenchufe el fuego de la red eléctrica.
4. Deje el aparato durante 20 minutos para permitir que las lámparas se enfríen antes de retirarlas.
5. Retire el sumidero como se describe en la sección de limpieza.

6. Retire la bombilla defectuosa, levantándola verticalmente con suavidad y desenganchando las clavijas de su soporte (figs. 4 y 4a).
Sustitúyala por una bombilla de color OPTIMYST, 12V, 45W, base Gu5.3 y ángulo de haz de 8°. (La puede adquirir a nuestro proveedor)
7. Inserte con cuidado las dos patillas/clavijas de la nueva bombilla en los dos orificios del portalámparas. Empuje la bombilla firmemente en su lugar. (Fig.4 y 4a).
8. Vuelva a colocar el sumidero, la boquilla, el tanque de agua y la plataforma de combustible.

LIMPIEZA

Advertencia: ponga siempre el interruptor 'A' en la posición 'OFF' (0) (fig.10) y desconecte el aparato de la fuente de alimentación antes de limpiar la estufa.

Recomendamos limpiar los siguientes componentes una vez cada 2 semanas, particularmente en zonas en las que el agua es dura:

tanque de agua, sumidero, boquilla, tapa y junta del tanque, filtro de aire.

Para la limpieza general, utilice un paño suave y limpio; nunca utilice limpiadores abrasivos.

Para eliminar cualquier acumulación de polvo o suciedad, puede utilizar ocasionalmente el cepillo suave del aspirador para la limpieza de la rejilla de salida del ventilador.

Tanque de agua

1. Retire el tanque de agua, como se describe anteriormente, colóquelo en el fregadero y vacíe el agua.
2. Con el cepillo suministrado, frote suavemente las superficies internas de la tapa prestando especial atención al anillo de goma de la ranura exterior y de la junta de goma central.
3. Ponga una pequeña cantidad de líquido de lavado en el tanque, vuelva a colocar la tapa y agite bien, enjuague hasta que desaparezcan todos los restos de líquido de lavado.
4. Rellénelo solamente con agua de grifo filtrada; vuelva a colocar la tapa, sin apretarla demasiado.

Sumidero

1. Ponga el interruptor 'A' en la posición 'OFF' (0).
2. Levante con cuidado la plataforma de combustible y colóquela con cuidado en el suelo.
3. Retire el tanque de agua levantándolo hacia arriba.
4. Desenchufe el conector eléctrico, ubicado en el lado derecho del sumidero. (Fig.5)
5. Suelte las lengüetas de bloqueo del lado derecho del sumidero girándolas 90°. Esto permite que el sumidero se pueda levantar por completo de su ubicación. (Fig. 11)
6. Levante suavemente el sumidero, teniendo cuidado de mantenerlo plano para no derramar agua. Deje el conjunto en el fregadero.
7. Suelte las lengüetas de bloqueo del lazo izquierdo del sumidero girándolas 90° y, a continuación, extraiga la boquilla levantándola. (Fig.3)
8. Levante el transductor e inclínelo con cuidado, como se muestra, para que el líquido se drene del sumidero. (Fig.13)
9. Coloque una pequeña cantidad de líquido de lavado en el sumidero y, utilizando el cepillo suministrado, limpie suavemente todas las superficies en el sumidero y limpie suavemente el transductor, incluido los discos de metal ubicados en la superficie ranurada superior. (Fig.14)
10. Una vez lavado, enjuague completamente el sumidero con agua limpia para eliminar todos los residuos de líquido de lavado.
11. Limpie la boquilla con el cepillo y enjuáguela completamente con agua. (Fig.15)
12. Invierta los pasos anteriores para volver a montarlo.

Filtro de aire

1. Levante con cuidado la plataforma de combustible y colóquela con cuidado en el suelo.
2. Deslice suavemente el filtro de aire hacia arriba para que salga de su soporte de plástico. (Fig.16)
3. Enjuáguelo suavemente con agua en el fregadero y séquelo con una toalla de tela antes de volver a ponerlo.
4. Vuelva a poner el filtro asegurándose de que el filtro negro tosco esté encarado hacia la parte frontal del fuego.
5. Vuelva a colocar la plataforma de combustible.

Información adicional

SERVICIO POSVENTA

Su producto tiene dos años de garantía a partir de la fecha de compra. Durante este periodo, nos comprometemos a reparar o cambiar el producto sin cargo alguno (con excepción de las bombillas y según disponibilidad), siempre que se haya instalado y puesto en funcionamiento de conformidad con estas instrucciones. Sus derechos según esta garantía son adicionales a sus derechos legalmente establecidos, que, a su vez, no se ven afectados por esta garantía.

RECICLADO



Para los productos eléctricos vendidos dentro de la Comunidad Europea: al final de su vida útil los productos eléctricos no deben desecharse con la basura doméstica. Si existen, utilice los servicios de reciclaje. Consulte con las autoridades locales o con el vendedor para saber cuáles son las recomendaciones sobre reciclaje en su país.

PATENTE/SOLICITUD DE PATENTE

Los productos de la gama Optimyst están protegidos por una o más de las siguientes patentes y aplicaciones de patentes:

Gran Bretaña GB 2402206, GB 2460259, GB 2460453, GB 2418014, GB 2465738, GB 2449925, GB 2465537, GB 2455277, GB1020534.2, GB1020537.5, GB1110987.3

Estados Unidos US 7967690, US 2010299980, US 2011062250, US 2008028648, US 13/167,042

Rusia RU2008140317

Europea EP 2029941, EP 2201301, EP 2315976, EP 1787063, EP07723217.1, EP11170434.2, EP 11170435.9

China CN 101883953, CN 200980128666.2, CN 101057105, CN 101438104

Australia AU 2009248743, AU 2007224634

Canadá CA 2725214, CA 2579444, CA 2645939

Solicitud de patente internacional WO 2006027272

Sudáfrica ZA 200808702

México MX 2008011712

Corea KR 20080113235

Japón JP 2009529649

Brasil BR P10708894-9

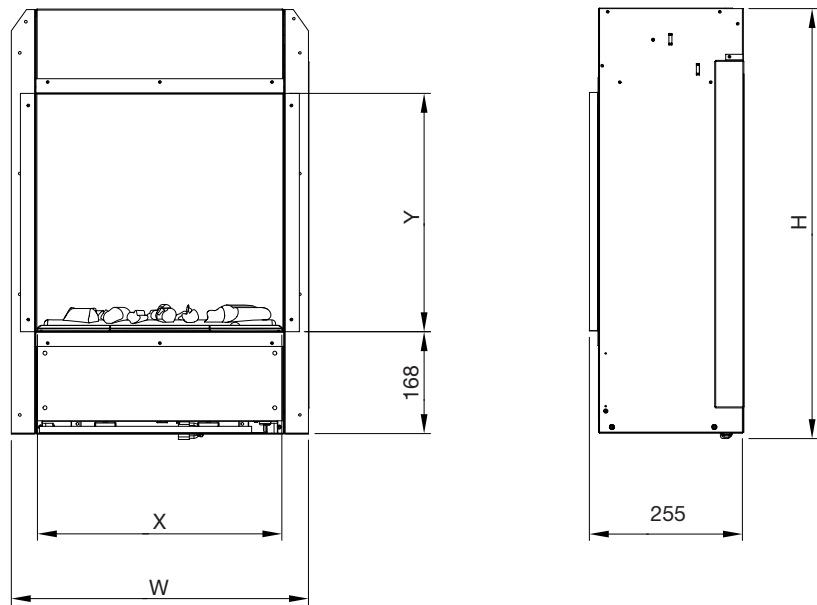
India IN 4122/KOLNP/2008

Nueva Zelanda NZ 571900

Solución de problemas

Síntoma	Causa	Acción correctiva
El efecto de llama no se iniciará.	El enchufe de red no está enchufado. Nivel de agua bajo. El conector de bajo voltaje no está bien conectado. (Fig. 5) La unidad transductora no se encuentra correctamente instalada en el sumidero.	Compruebe que el enchufe esté conectado correctamente a la toma de pared. Verifique que el tanque de agua esté lleno y que haya agua en el sumidero. Verifique que el conector esté insertado correctamente. (Fig. 5) Asegúrese de que el transductor esté bien asentado en el hueco moldeado del sumidero.
El efecto de la llama es muy bajo.	El efecto de llama está ajustado a un nivel muy bajo. (Fig.10) El disco metálico del transductor puede estar sucio (fig.14). El cable de la unidad del transductor está colocado sobre el disco de metal.	Aumente el nivel de llama utilizando el control remoto (consulte la sección Uso del producto). Limpie el disco de metal con un cepillo suave suministrado. (Fig.14) Consulte "Mantenimiento" para ver un procedimiento paso a paso. Dirija el cable a la parte posterior del sumidero y asegúrese de que esté bien encajado en la ranura lateral que sale del sumidero.
Hay un olor desagradable cuando se utiliza la unidad.	Agua sucia o rancia. Se ha usado agua del grifo sin filtrar.	Limpie la unidad como se describe en Mantenimiento. Use solo agua del grifo filtrada.
El efecto de la llama tiene demasiado humo.	La configuración del efecto de la llama es demasiado alta.	Gire el mando de control del efecto llama "D" hacia la derecha, aproximadamente ¼ de vuelta cada vez. Deje pasar algo de tiempo para que el generador de llama se ajuste a su nuevo valor. (Fig.10)
Las bombillas principales no funcionan y no hay llamas ni humo.	No hay agua en el tanque de agua.	Sigue las instrucciones de Mantenimiento , "Llenar el tanque de agua". Compruebe que el enchufe esté conectado correctamente a la toma de corriente y que el interruptor 'A' de la Fig. 10 esté en la posición 'ON' (I).

Fig. 1



MODEL	'H'	'W'	'X'	'Y'
ENG56-400	700mm	490mm	413mm	395mm
ENG68-400	823mm	490mm	413mm	517mm
ENG56-600	700mm	646mm	569mm	395mm

Fig. 2

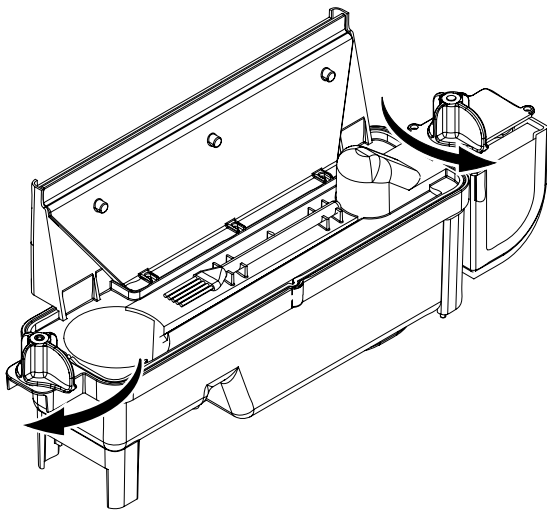


Fig. 3

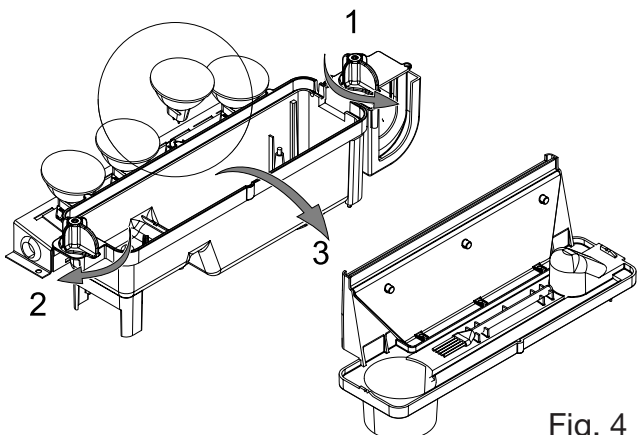
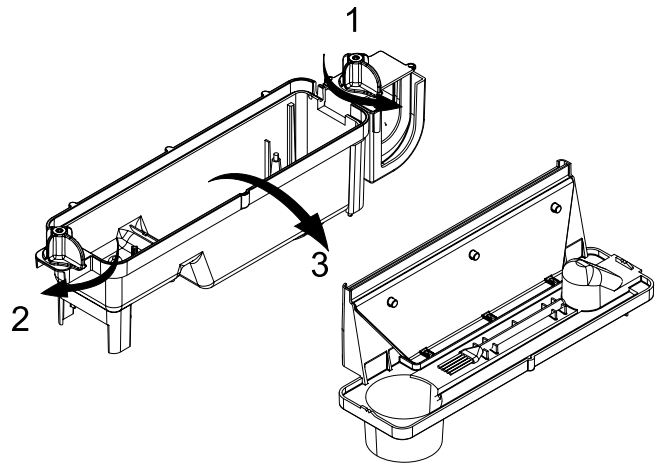


Fig. 4

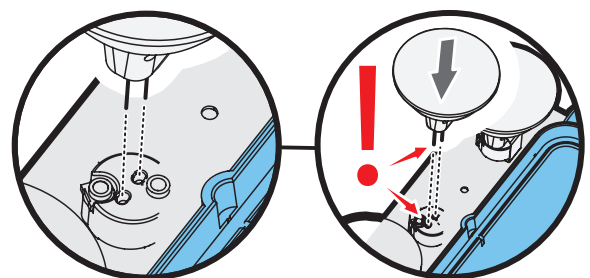


Fig. 4a

Fig. 5

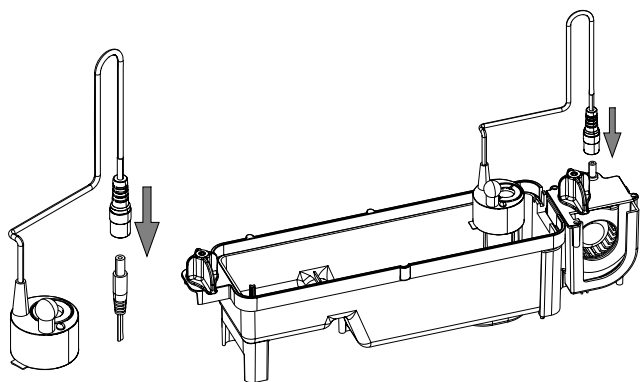


Fig. 5a

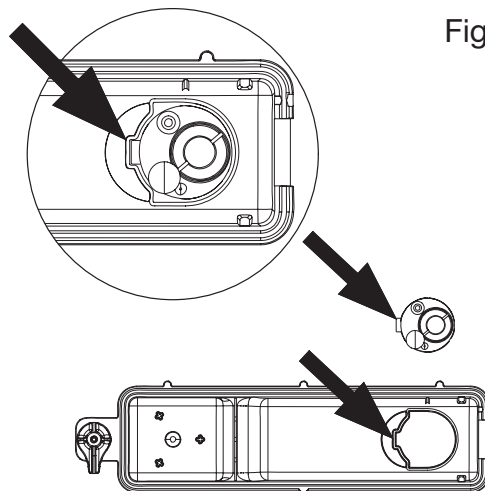


Fig. 5b

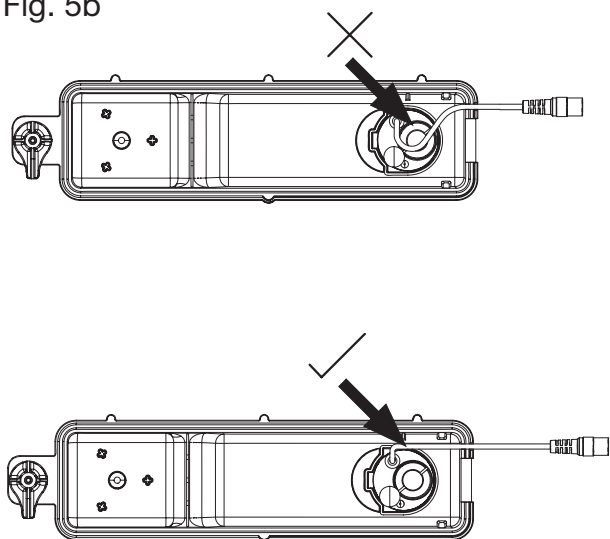


Fig. 6

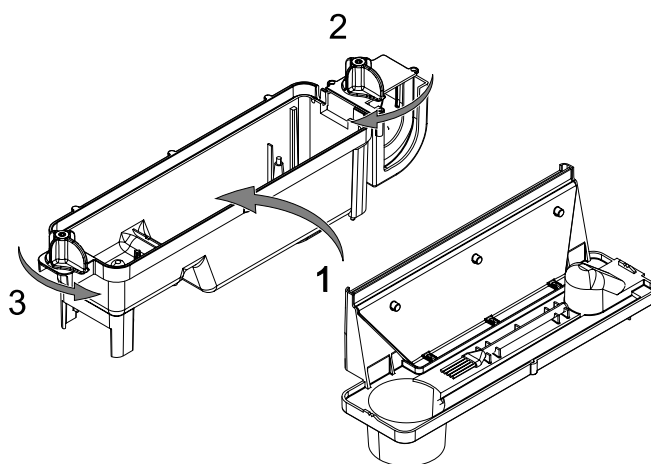


Fig. 7

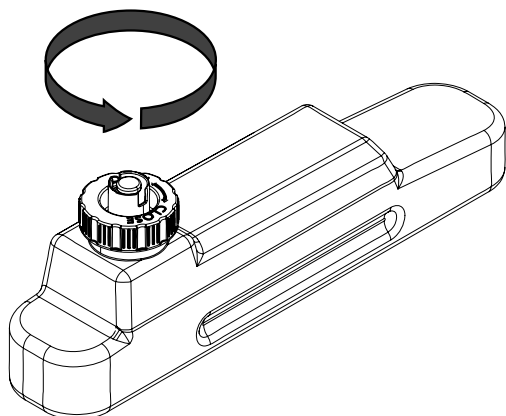


Fig. 8

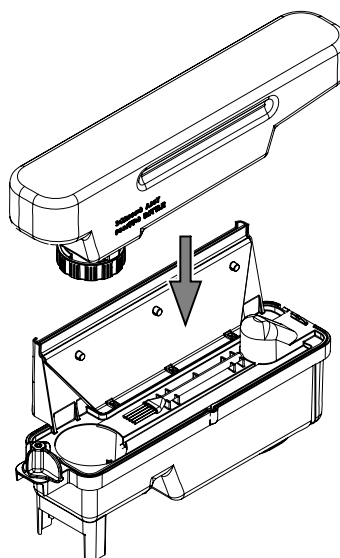


Fig. 9

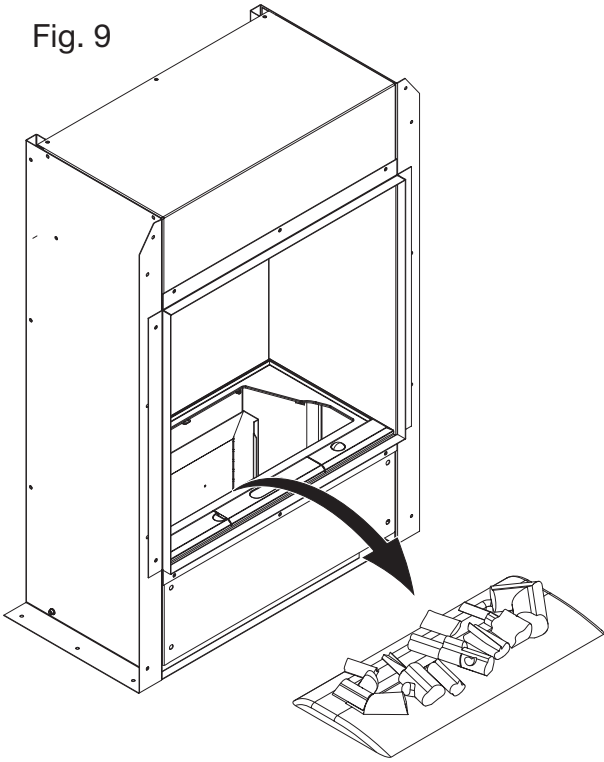


Fig. 10

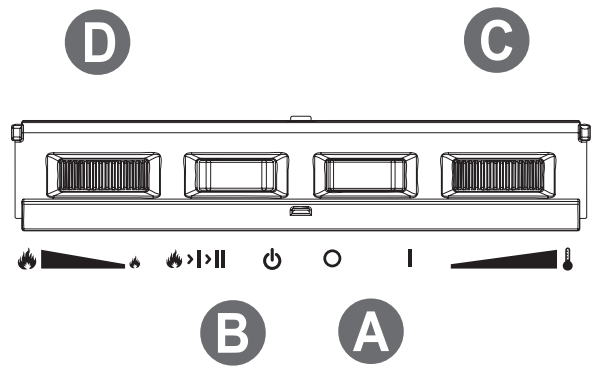


Fig. 11

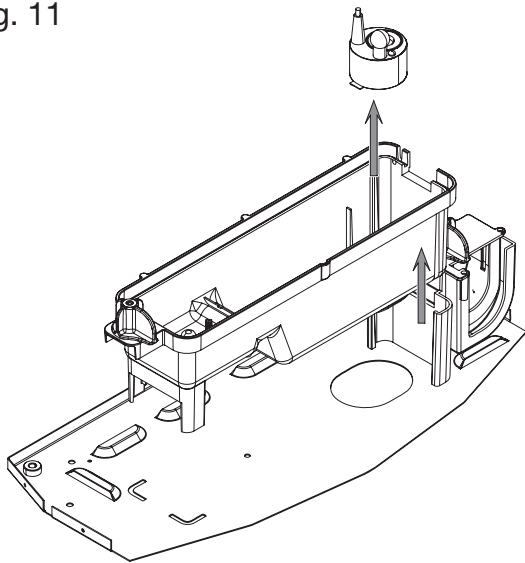


Fig. 12

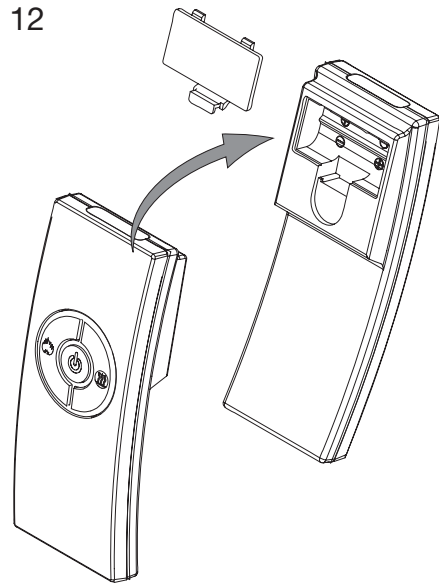


Fig. 13

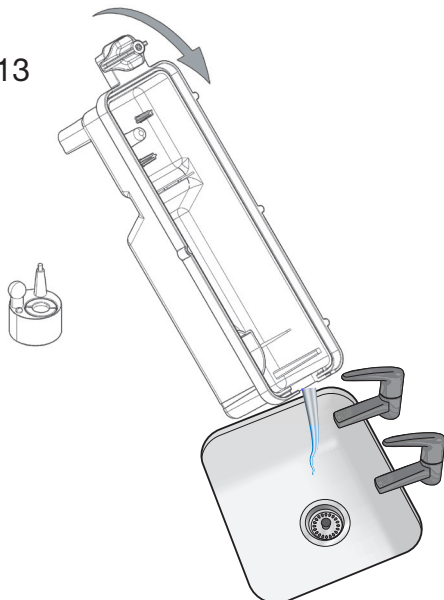


Fig. 14

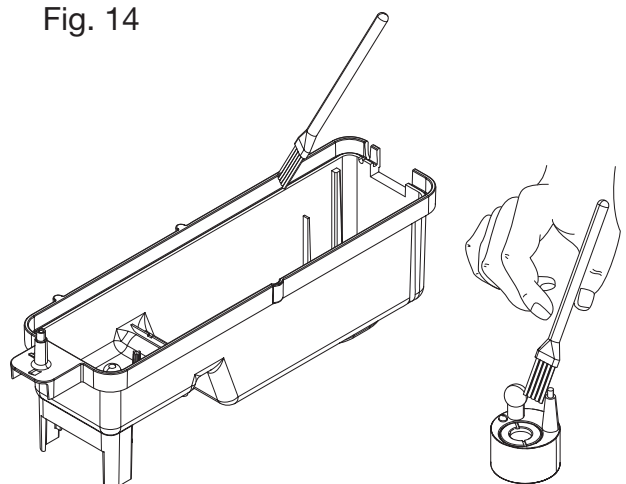


Fig. 15

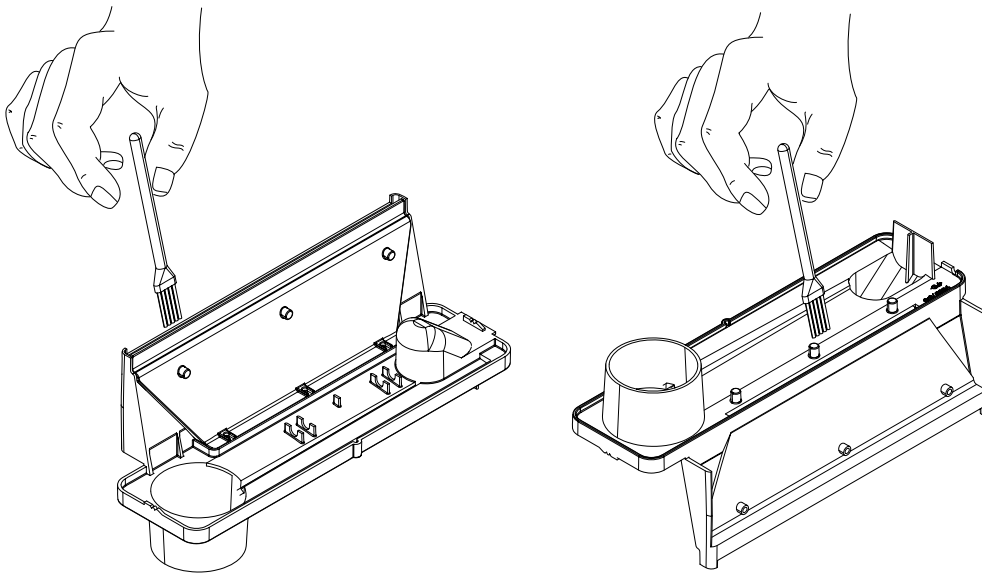


Fig. 16

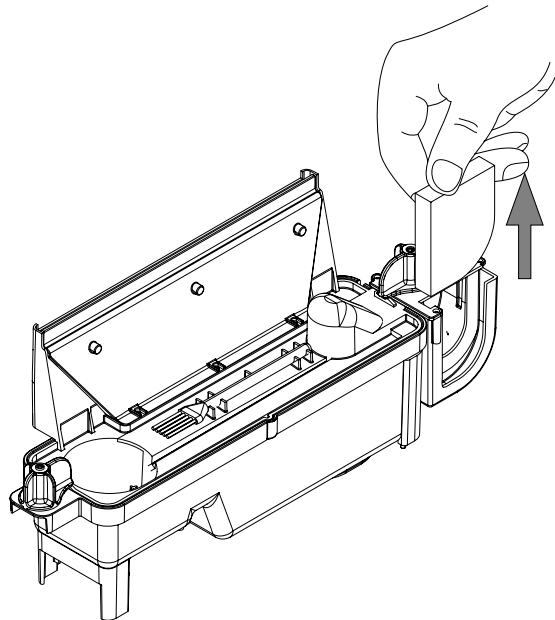
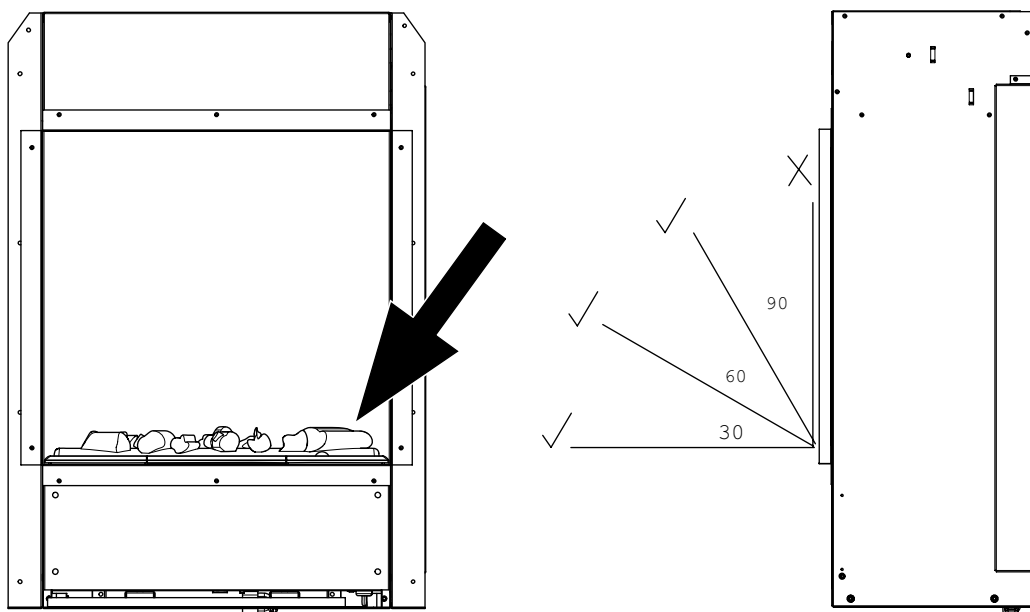


Fig. 17



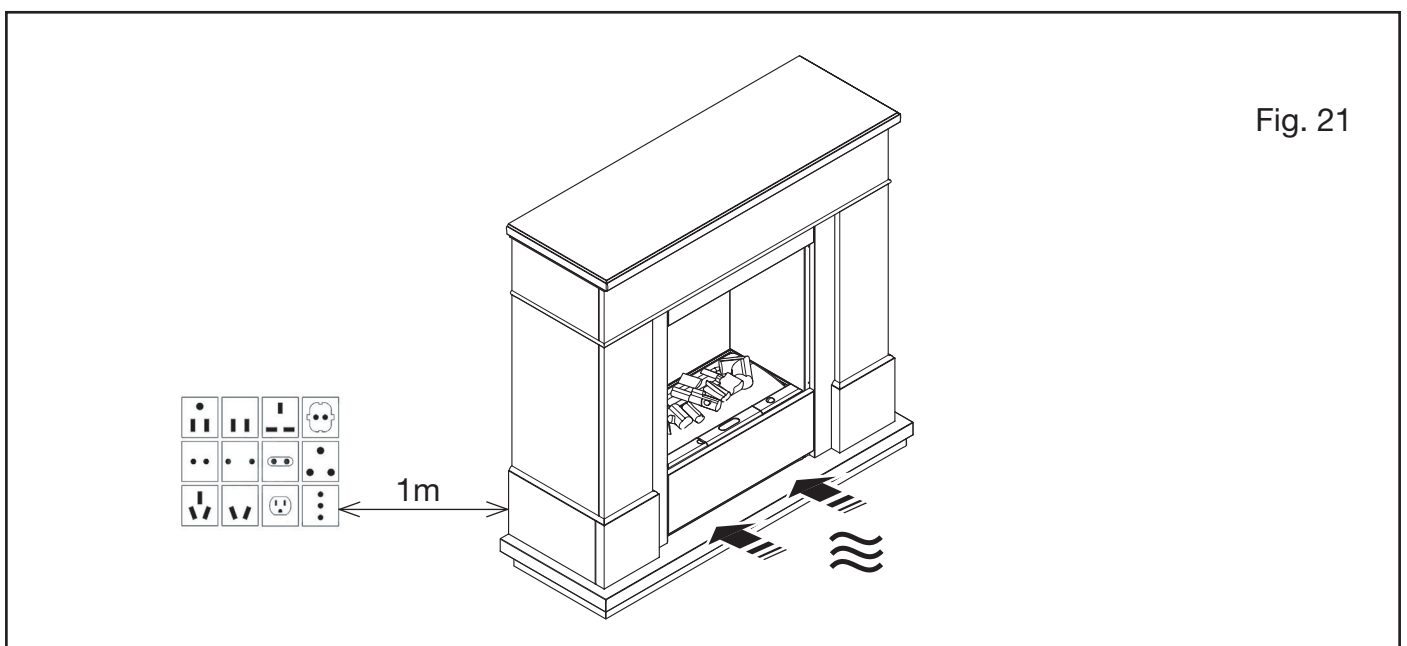
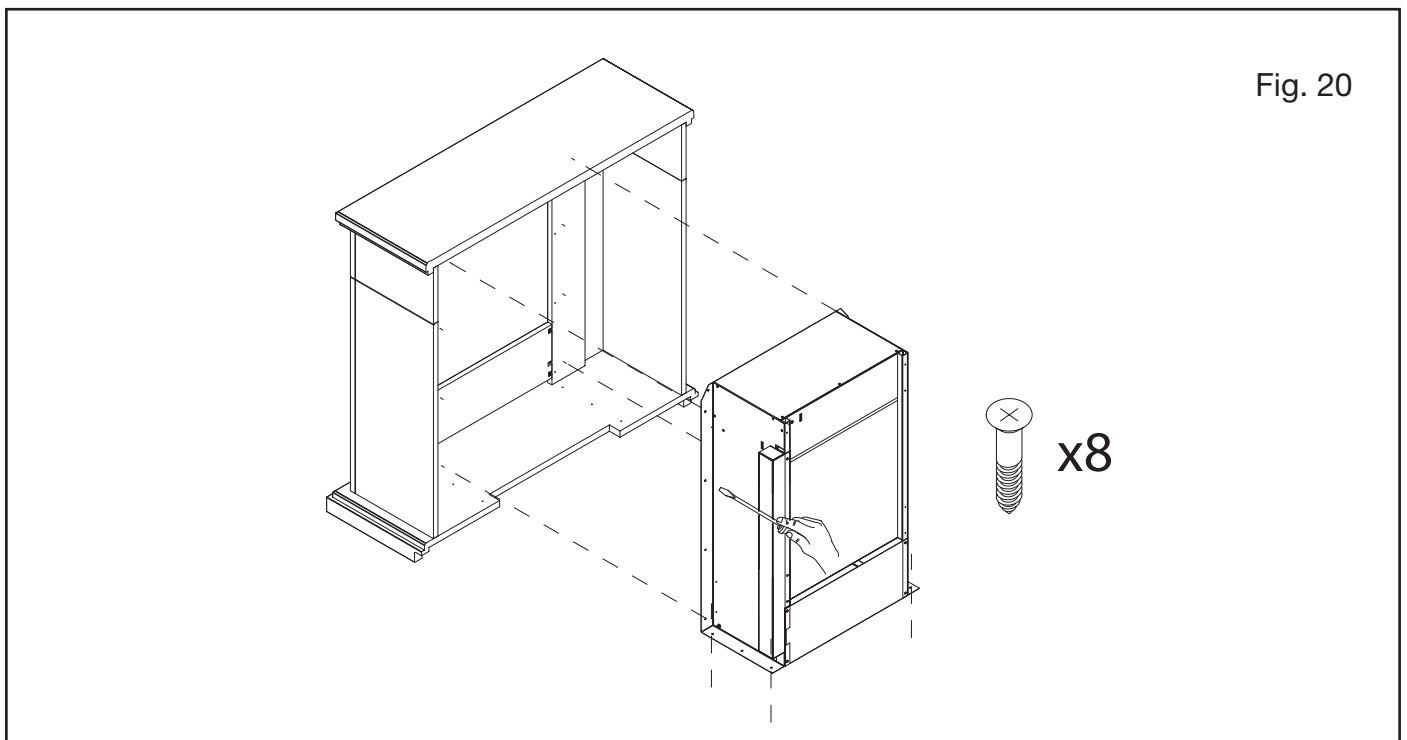
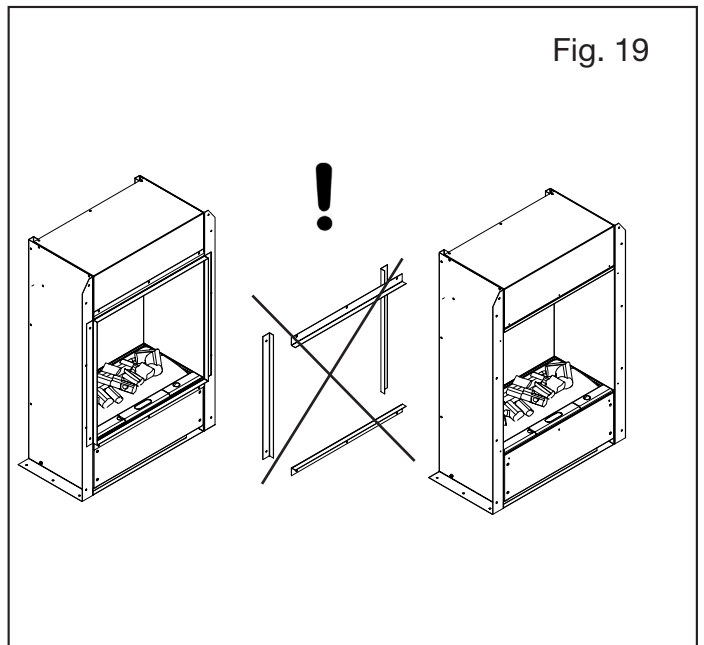
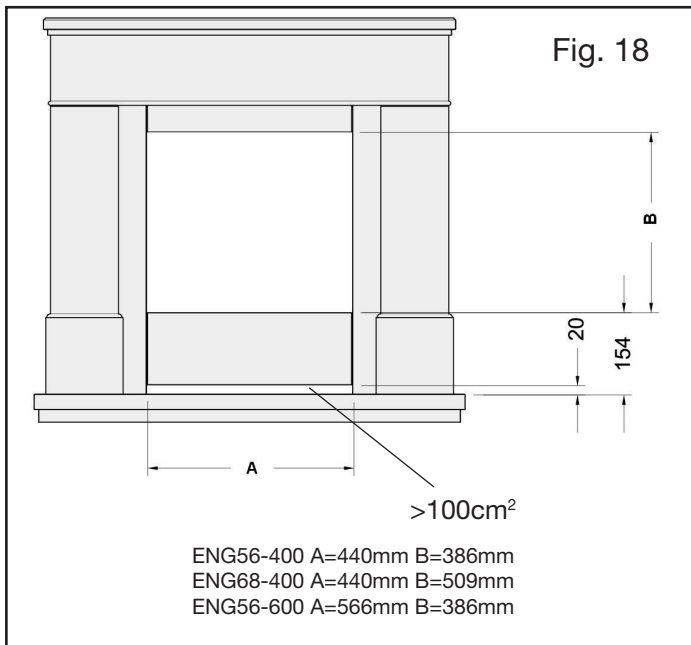


Fig. 22

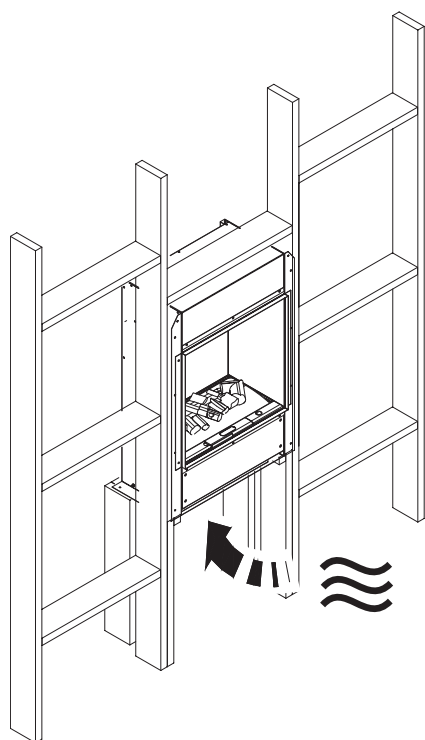
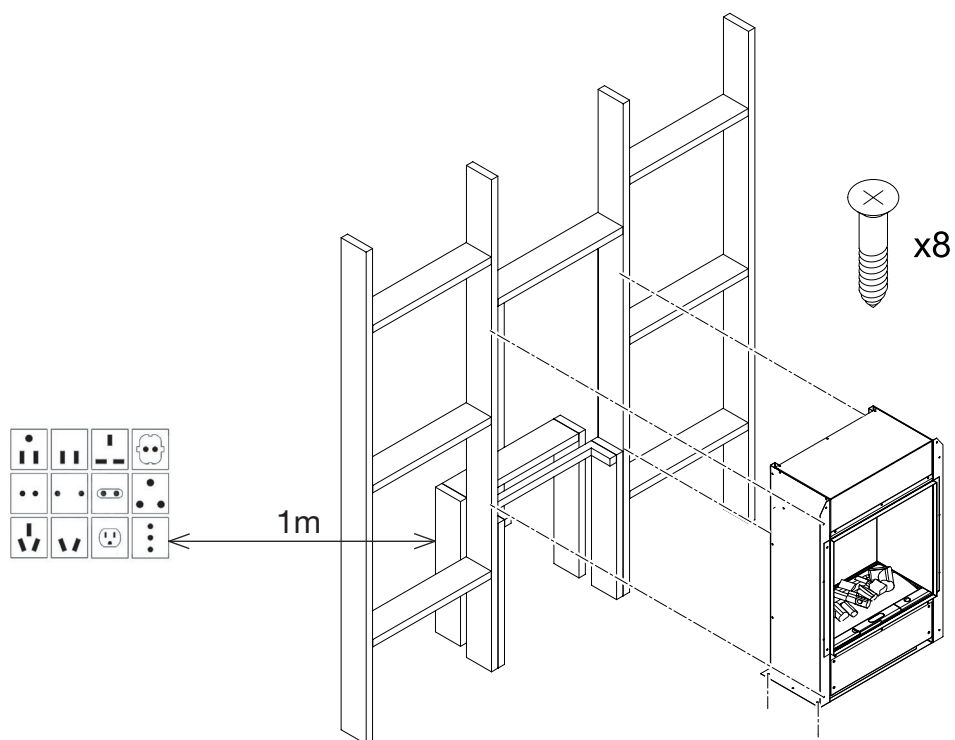


Fig. 22

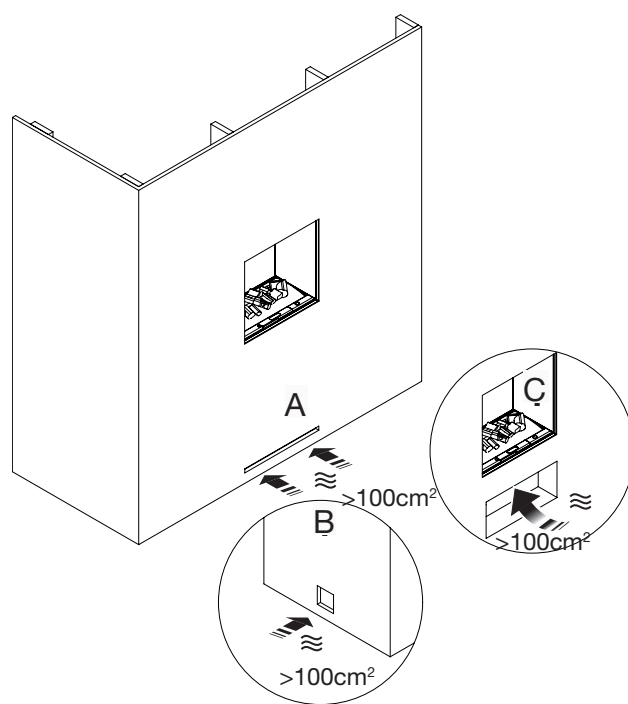


Fig. 23